

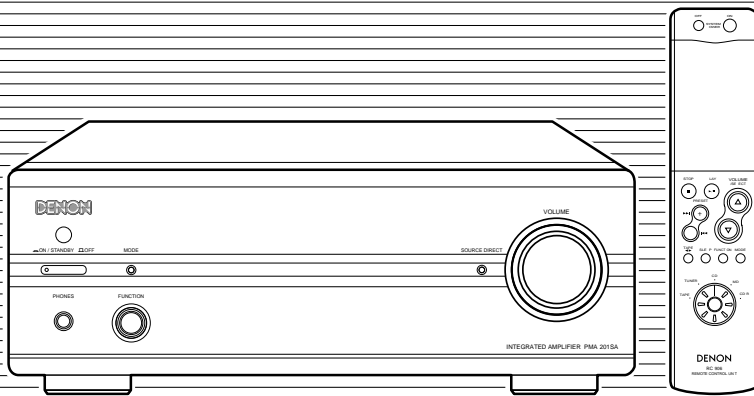
DENON

INTEGRATED AMPLIFIER

PMA-201SA

OPERATING INSTRUCTIONS
BEDIENUNGSANLEITUNG
MODE D'EMPLOI
ISTRUZIONI PER L'USO

INSTRUCCIONES DE OPERACION
GEBRUIKSAANWIJZING
BRUKSANVISNING



FOR ENGLISH READERS	PAGE	4 ~ PAGE	11
FÜR DEUTSCHE LESER	SEITE	12 ~ SEITE	19
POUR LES LECTEURS FRANCAIS	PAGE	20 ~ PAGE	27
PER IL LETTORE ITALIANO	PAGINA	28 ~ PAGINA	35
PARA LECTORES DE ESPAÑOL	PAGINA	36 ~ PAGINA	43
VOOR NEDERLANDSTALIGE LEZERS	PAGINA	44 ~ PAGINA	51
FOR SVENSKA LÄSARE	SIDA	52 ~ SIDA	59

CAUTION
RISK OF ELECTRIC SHOCK
DO NOT OPEN

CAUTION: TO REDUCE THE RISK OF ELECTRIC SHOCK, DO NOT REMOVE COVER (OR BACK). NO USER SERVICEABLE PARTS INSIDE. REFER SERVICING TO QUALIFIED SERVICE PERSONNEL.

The lightning flash with arrowhead symbol, within an equilateral triangle, is intended to alert the user to the presence of uninsulated "dangerous voltage" within the product's enclosure that may be of sufficient magnitude to constitute a risk of electric shock to persons.

The exclamation point within an equilateral triangle is intended to alert the user to the presence of important operating and maintenance (servicing) instructions in the literature accompanying the appliance.

WARNING: TO REDUCE THE RISK OF FIRE OR ELECTRIC SHOCK, DO NOT EXPOSE THIS APPLIANCE TO RAIN OR MOISTURE.

CAUTION

- The ventilation should not be impeded by covering the ventilation openings with items, such as newspapers, table-cloths, curtains, etc.
- No naked flame sources, such as lighted candles, should be placed on the apparatus.
- Please be careful of the environmental aspects of battery disposal.
- The apparatus shall not be exposed to dripping or splashing for use.
- No objects filled with liquids, such as vases, shall be placed on the apparatus.

• DECLARATION OF CONFORMITY
We declare under our sole responsibility that this product, to which this declaration relates, is in conformity with the following standards:
EN60065, EN55013, EN55020, EN61000-3-2 and EN61000-3-3.
Following the provisions of 73/23/EEC, 89/336/EEC and 93/68/EEC Directive.

• ÜBEREINSTIMMUNGSERKLÄRUNG
Wir erklären unter unserer Verantwortung, daß dieses Produkt, auf das sich diese Erklärung bezieht, den folgenden Standards entspricht:
EN60065, EN55013, EN55020, EN61000-3-2 und EN61000-3-3.
Entspricht den Bestimmungen der Direktive 73/23/EEC, 89/336/EEC und 93/68/EEC.

• DECLARATION DE CONFORMITE
Nous déclarons sous notre seule responsabilité que l'appareil, auquel se réfère cette déclaration, est conforme aux standards suivants:
EN60065, EN55013, EN55020, EN61000-3-2 et EN61000-3-3.
D'après les dispositions de la Directive 73/23/EEC, 89/336/EEC et 93/68/EEC.

• DICHIARAZIONE DI CONFORMITÀ
Dichiaro con piena responsabilità che questo prodotto, al quale la nostra dichiarazione si riferisce, è conforme alle seguenti normative:
EN60065, EN55013, EN55020, EN61000-3-2 e EN61000-3-3.
In conformità con le condizioni delle direttive 73/23/EEC, 89/336/EEC e 93/68/EEC.
QUESTO PRODOTTO È CONFORME
AL D.M. 28/08/95 N. 548

• DECLARACIÓN DE CONFORMIDAD
Declaramos bajo nuestra exclusiva responsabilidad que este producto al que hace referencia esta declaración, está conforme con los siguientes estándares:
EN60065, EN55013, EN55020, EN61000-3-2 y EN61000-3-3.
Siguiendo las provisiones de las Directivas 73/23/EEC, 89/336/EEC y 93/68/EEC.

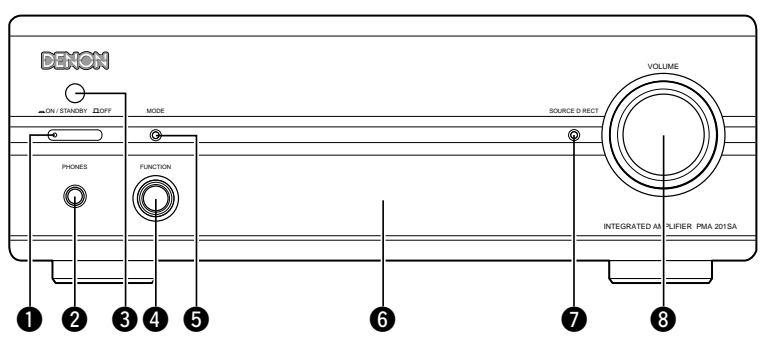
• EENVORMIGHEIDSVKLAARING
Wij verklaren uitsluitend op onze verantwoordelijkheid dat dit product, waarop deze verklaring betrekking heeft, in overeenstemming is met de volgende normen:
EN60065, EN55013, EN55020, EN61000-3-2 en EN61000-3-3.
Volgens de bepalingen van de Richtlijnen 73/23/EEC, 89/336/EEC en 93/68/EEC.

• ÖVERENSSTÄMMELSESINTYG
Härmed intygas helt på eget ansvar att denna produkt, vilken detta intyg avser, uppfyller följande standarder:
EN60065, EN55013, EN55020, EN61000-3-2 och EN61000-3-3.
Enligt stadgarna i direktiv 73/23/EEC, 89/336/EEC och 93/68/EEC.

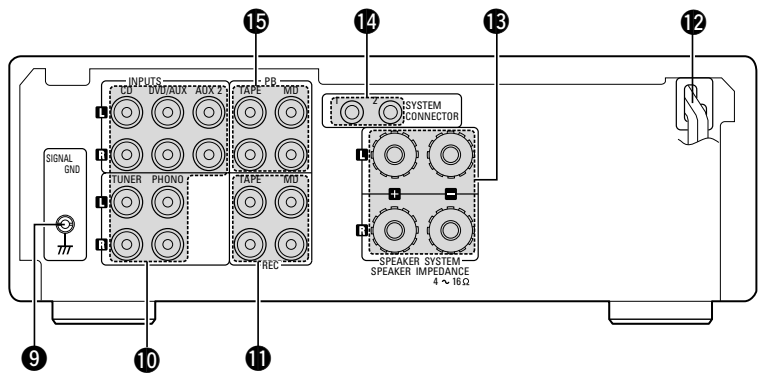
NOTE ON USE / HINWEISE ZUM GEBRAUCH / OBSERVATIONS RELATIVES A L'UTILISATION / NOTE SULL'USO / NOTAS SOBRE EL USO / ALVORENS TE GEBRUIKEN / OBSERVERA

<ul style="list-style-type: none"> Avoid high temperatures Allow for sufficient heat dispersion when installed on a rack Vermeiden Sie hohe Temperaturen Beachten Sie daß eine ausreichende Luftzirkulation gewährleistet wird wenn das Gerät auf ein Regal gestellt wird Evitar des temperaturas elevadas Tener compte d'une dispersion de chaleur suffisante lors de l'installation sur une étagère Evitate di esporre l'unità a temperature alte Assicuratevi che ci sia un'adeguata dispersione del calore quando installate l'unità in un mobile per componenti audio Evite altas temperaturas Permite la suficiente dispersión del calor cuando está instalado en la consola Vermijd hoge temperaturen Zorg voor een degelijk hitteafvoer indien het apparaat op een rek wordt geplaatst Undvik höga temperaturer Se till att det finns möjlighet till god värmeavledning vid montering i ett rack 	<ul style="list-style-type: none"> Keep the set free from moisture water and dust Halten Sie das Gerät von Feuchtigkeit Wasser und Staub fern Protéger l'appareil contre l'humidité l'eau et l'apoussièrre Tenete l'unità lontana dall'umidità da l'acqua e dalla polvere Mantenga el equipo libre de humedad agua y polvo Laat geen vochtigheid water of stof in het apparaat binnendringen Utsätt inte apparaten för fukt vatten och damm 	<ul style="list-style-type: none"> Do not let foreign objects in the set Keine fremden Gegenstände in das Gerät kommen lassen Ne pas laisser des objets étrangers dans l'appareil È importante che nessun oggetto è inserito all'interno dell'unità No deje objetos extraños dentro del equipo Laat geen vreemde voorwerpen in dit apparaat vallen Se ti att främmande föremål inte tränger in i apparaten
<ul style="list-style-type: none"> Unplug the power cord when not using the set for long periods of time Wenn das Gerät eine längere Zeit nicht verwendet werden soll trennen Sie das Netzkabel vom Netzstecker Débrancher le cordon d'alimentation lorsque l'appareil n'est pas utilisé pendant de longues périodes Disinnestate il filo di alimentazione quando avete l'intenzione di non usare il filo di alimentazione per un lungo periodo di tempo Desconecte el cordón de energía cuando no utilice el equipo por mucho tiempo Neem altijd het netsnoer uit het stopcontact wanneer het apparaat gedurende een lange periode niet wordt gebruikt Koppla ur nätkabeln om apparaten inte kommer att användas i lång tid 	<ul style="list-style-type: none"> Handle the power cord carefully Hold the plug when unplugging the cord Gehen Sie vorsichtig mit dem Netzkabel um Halten Sie das Kabel am Stecker wenn Sie den Stecker herausziehen Manipuler le cordon d'alimentation avec précaution Tenir la prise lors du débranchement du cordon Maneggiare il filo di alimentazione con cura Agire per la spina quando scollegate il cavo dalla presa Maneje el cordón de energía con cuidado Sostenga el enchufe cuando desconecte el cordón de energía Hanteer het netsnoer voorzichtig Houd het snoer bij de stekker vast wanneer deze moet worden aan of losgekoppeld Hantera nätkabeln varsamt Håll i kabeln när den kopplas från el uttaget 	<ul style="list-style-type: none"> Do not obstruct the ventilation holes Die Belüftungsöffnungen dürfen nicht verdeckt werden Ne pas obstruer les trous d'aération Non coprire i fori di ventilazione No obstruya los orificios de ventilación De ventilatieopeningen mogen niet worden geblokkeerd Täpp inte till ventilationsöppningarna <p style="text-align: center;">* (For sets with ventilation holes)</p> <ul style="list-style-type: none"> Never disassemble or modify the set in any way Versuchen Sie niemals das Gerät auseinander zu nehmen oder auf jegliche Art zu verändern Ne jamais démonter ou modifier l'appareil d'une manière ou d'une autre Non smontate mai né modificate l'unità in nessun modo Nunca desarme o modifique el equipo de ninguna manera Noit dit apparaat demonteren of op andere wijze modifieren Ta inte isär apparaten och försök inte bygga om den

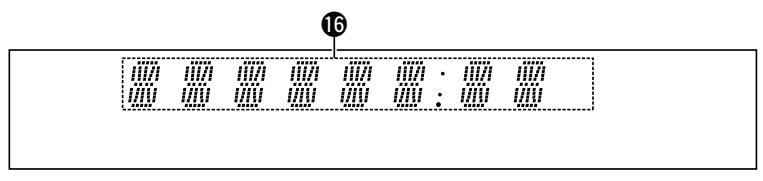
FRONT PANEL
 FRONTPLATTE
 PANNEAU AVANT
 PANNELLO ANTERIORE
 PANEL FRONTAL
 VOORPANEEL
 FRONT PANELEN



REAR PANEL
 RÜCKWAND
 PANNEAU ARRIERE
 IL PANNELLO POSTERIORE
 PANEL TRASERO
 ACHTERPANEEL
 BAKSIDAN



DISPLAY
 DISPLAY
 AFFICHAGE
 DISPLAY
 VISUALIZADOR
 DISPLAY
 DISPLAYEN



IMPORTANT TO SAFETY

WARNING:

TO PREVENT FIRE OR SHOCK HAZARD, DO NOT EXPOSE THIS APPLIANCE TO RAIN OR MOISTURE.

Please, record and retain the Model name and serial number of your set shown on the rating label.

Model No. PMA-201SA Serial No. _____

Thank you for purchasing this DENON Pre-main Amplifier. Please read the operation instructions thoroughly in order to acquaint yourself with the pre-main amplifier and achieve maximum satisfaction from it.

TABLE OF CONTENTS

1 MAIN FEATURES 4	7 SYSTEM REMOTE CONTROL 7, 8
2 BEFORE USING 4	8 OPERATION 9, 10
3 CAUTIONS ON INSTALLATION 4	9 SYSTEM FUNCTIONS 10
4 CAUTIONS ON HANDLING 4	10 TROUBLESHOOTING 11
5 CONNECTIONS 5, 6	11 SPECIFICATIONS 11
6 PART NAMES AND FUNCTIONS 7	

ACCESSORIES

Check that the following parts are included in the package aside from the main unit:

- ① Remote Control Unit RC-9061
- ② Batteries R03 AAA)2
- ③ Operating Instructions1
- ④ Service Station List1



1 MAIN FEATURES

- 1. HC-TR output circuit for both subtlety and power**
A single push pull circuit using an HC-TR (high current transistor) based on the same principles as the UHC-MOS used in the POA-S1, DENON's top grade monaural power amplifier, achieves both stable a high current supply and excellent low level signal linearity. The result is an extremely high level of both subtlety and power.
- 2. Strong power circuitry supporting the expressive abilities of the HC-TR output circuit**
The strong power circuitry consisting of high speed rectifier diodes and large high sound quality block condensers allow the HC transistor output circuit to be used to its maximum potential.
- 3. S.L.D.C.**
The PMA-201SA uses an S.L.D.C. (Signal Level Divided Construction) with the ideal separation of the different circuits (low level signal circuit, high level signal circuit, microprocessor circuit, etc.)

- 4. Source Direct function for improved sound quality**
The PMA-201SA is equipped with a source direct function that bypasses the bass, treble, loudness and balance control circuits to achieve a simple signal path, contributing to keeping the sound pure.
- 5. System remote control unit**
The PMA-201SA comes with a system remote control unit that can be used to control the different components in the 201SA series (CD player, MD recorder, CD recorder, cassette deck and tuner, when used system connections only).
- 6. Low standby power consumption**
The power consumption when the power is in the standby mode is reduced to 1W or less.

CAUTION

- 1. Handle the power supply cord carefully**
Do not damage or deform the power supply cord. If it is damaged or deformed, it may cause electric shock or malfunction when used. When removing from wall outlet, be sure to remove by holding the plug attachment and not by pulling the cord.
- 2. Do not open the top cover**
In order to prevent electric shock, do not open the top cover.
- 3. Do not place anything inside**
Do not place metal objects or spill liquid inside the pre-main amplifier.
Electric shock or malfunction may result.

2 BEFORE USING

Read the following before using the set.

- **Before turning on the power**
Check again that all connections are correct and that there are no problems with the connection cords. Be sure to unplug the power cord before connecting or disconnecting the connection cords.
- **Moving the set**
To prevent short-circuits or damage to the connection cords, always unplug the power cord and disconnect the connection cords between all other audio components when moving the set.

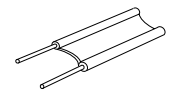
- **Store this instructions in safe place**
After reading, store this instructions along with the warranty in a safe place. Also fill in the items on the back paper for your convenience.
- **Illustrations in this manual**
Note that some of the illustrations used for explanations in this manual may differ from the actual set.

3 CAUTIONS ON INSTALLATION

Noise or disturbance of the picture may be generated if this unit or any other electronic equipment using microprocessors is used near a tuner or TV.

- In this happens, take the following steps.
- Install this unit as far as possible from the tuner or TV.
- Set the antenna wire from the tuner or TV away from this unit's power cord and input/output connection cords.
- Noise or disturbance tends to occur particularly when using indoor antennas or 300Ω/ohms feeder wires. **We recommend using outdoor antennas and 75Ω/ohms coaxial cable.**

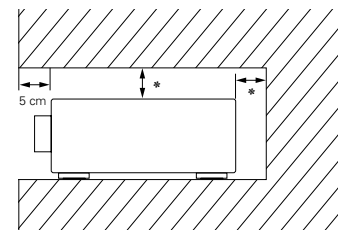
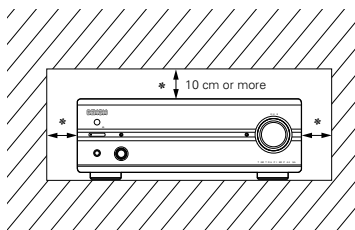
For heat dispersal, leave at least 10 cm of space between the top, back and sides of this unit and the wall or other components.



300 Ω/ohms feeder cable



75 Ω/ohms coaxial cable



4 CAUTIONS ON HANDLING

- **Switching the input function when input jacks are not connected**
A clicking noise may be produced if the input function is switched when nothing is connected to the input jacks. If this happens, either turn down the VOLUME control or connect components to the input jacks.

Please be sure to unplug the cord when you leave home for, say, a vacation.

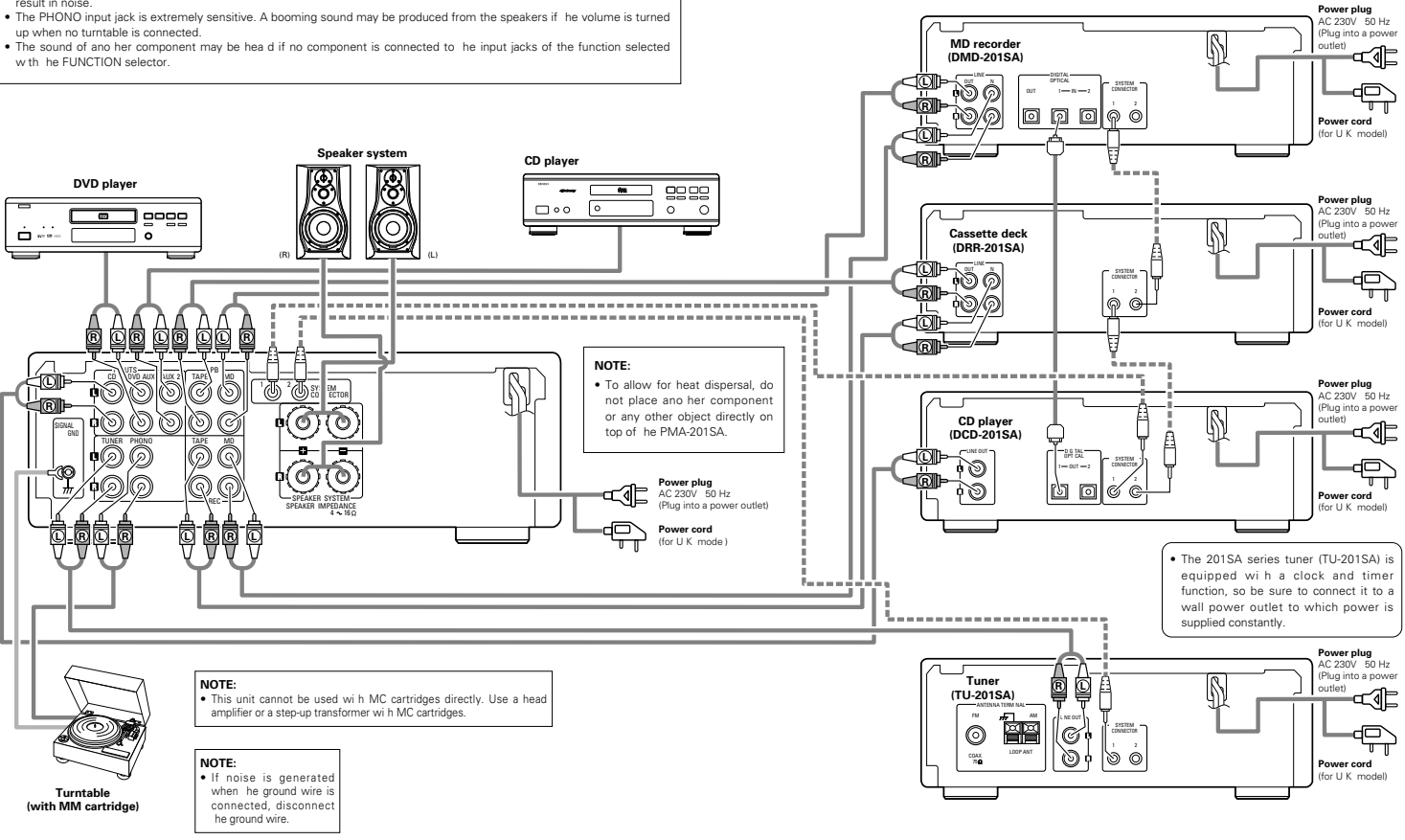
5 CONNECTIONS

- When connecting, also refer to the manuals of the other components.
- When connecting to the 201SA series, make the system connections shown by dotted lines on the diagram below.
- The PMA-201SA is not equipped with connection cords. Use the connection cords included with the components you are connecting to the PMA-201SA.

NOTES:

- Do not plug the power cords into the power outlets until all connections have been completed.
- Check the left and right channels and be sure to interconnect them correctly (R to R, L to L).
- Plug in the power cords securely. Incomplete connections will result in noise.
- Do not clasp the connection cords together with the power cords or place them near other electric products. Doing so may result in noise.
- The PHONO input jack is extremely sensitive. A booming sound may be produced from the speakers if the volume is turned up when no turntable is connected.
- The sound of another component may be heard if no component is connected to the input jacks of the function selected with the FUNCTION selector.

• When making system connections with the 201SA series, connect the system cord to the PMA-201SA system connector (either 1 or 2). Also interconnect the other system components in the same way. (System connections are indicated by dotted lines on the diagram.)

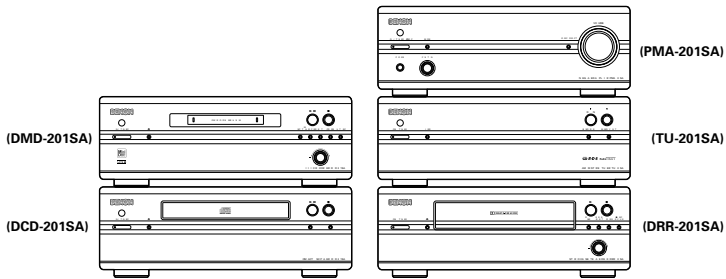


System Operations

- System operations such as the timer recording/playback and auto power on functions can only be used if stereo audio cords and system cords are connected between all the system components. Be sure to securely connect all the connection cords between all the units.
- Disconnecting a system cord during system operation may result in malfunction. Be sure to unplug the power cords before changing the connections.

Recommended System Installation

- To ensure performance and stability, install the system (201SA series) as shown below.



- * Do not place another component directly on top of the PMA-201SA. To allow for heat dispersal, leave a space of at least 10 cm above the PMA-201SA so as not to obstruct its ventilation holes.
- * For stability, do not stack more than three components on top of each other.

Connecting Speaker Systems

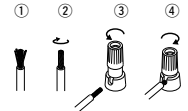
Speaker impedance

Use speaker systems with an impedance of 4 to 16Ω/ohms.

- Note that using speakers with other impedances will activate the protector circuit and may result in damage.

Connecting the speaker cords

- ① Peel off the coating from the tip of the cord.
- ② Twist the core wire.
- ③ Turn the speaker terminal counterclockwise to loosen it.
- ④ Completely insert the core wire, then turn the terminal clockwise to tighten it.



- Ⓢ Be sure to connect the speaker cords to the terminals with the same polarities on the speaker and amplifier (Ⓢ to Ⓢ, ⊖ to ⊖).
- Ⓢ When connecting, make sure that the speaker cords' core wires do not stick out and touch other terminals, other core wires or the rear panel.

NOTE:

- NEVER touch the speaker terminals while the set is connected to a power supply. Doing so may result in electric shock.

Protector Circuit

The PMA-201SA is equipped with a high speed protector circuit.

This circuit prevents strong currents from being generated inside the unit and damaging internal circuitry if the speaker cables are not securely connected to the speaker terminals or if they are short-circuited. If the protector circuit is activated, the speaker output is automatically cut off. If this happens, turn off the unit's power, check the speaker cable connections, then turn the power back on. The sound will be muted for several seconds, after which the unit will operate normally.

6 PART NAMES AND FUNCTIONS

(1) Front Panel

1 Power button (ON/STANDBY/OFF)

- When pressed and set to the "ON" position, the power turns on and the indicator and display light. The sound is muted for several seconds after the power turns on.
- When pressed again and set to the "OFF" position, the power turns off.
- The color of the indicator changes according to the mode, as follows:

Main unit power button	Main unit mode	Indicator status
ON (ON)	Operational	Lit green
	Mute	Flashing green
	Standby	Lit red
OFF (OFF)		Off

*The muting mode is set when the main unit's power button is set to the "ON" position and when the standby mode is canceled from the remote control unit. The power indicator flashes green when in the muting mode, then stops flashing and turns green once the set is in the operational mode.

*If the indicator is flashing orange (quickly): The protective circuit is activated. If this happens, set the power button to the "OFF" position to turn the indicator off, then check the input and output terminals on the rear panel. Check in particular for short-circuiting of the speaker cords. Once all connections have been corrected, turn the power back on. (Wait for at least 10 seconds after turning the power off before turning it back on.)

*When the PMA-201SA is connected in a system with the 201SA series, its power button works as the power button for the entire system. When the PMA-201SA's power turns on, the power of all the connected system units also turns on.

*Power is supplied to the PMA-201SA even when the power is in the standby mode (low power consumption).

2 Headphones jack (PHONES)

- Use this jack to listen to the sound over commercially available headphones.
- When the headphones' plug is inserted into the jack, the speaker output is automatically cut off, so no sound is produced from the speakers.

3 REMOTE SENSOR (Remote Control Sensor)

- Point the included remote control unit (RC-906) at this sensor when operating it.

4 Function dial (FUNCTION)

- Switches the input function. Also used to set the modes selected with the mode button. (See pages 9 to 10.)

5 Mode button (MODE)

- Use this to set the bass, treble and balance level. (Refer to page 9, 10.)
- Use this to set the loudness function to on or off. (Refer to page 9.)
- Use this to set the speaker system. (Refer to page 10.)

6 Display

Refer to page 7.

7 Source direct button (SOURCE DIRECT)

- When pressed and set to the "ON" position, the signals bypass the tone control (bass, treble, balance and loudness) circuits and are input directly to the volume circuit, resulting in higher quality sound.
- When pressed again and set to the "OFF" position, the signals pass through the tone control circuits, so the tone (bass, treble, balance and loudness) can be adjusted as desired.

8 Volume control dial (VOLUME)

- Use this to adjust the volume.
- The volume increases when the dial is turned clockwise (R), decreases when the dial is turned counterclockwise (L).

(2) Rear Panel

9 SIGNAL GND (ground) terminal

- Connect the turntable's ground wire here.

NOTE:

- This terminal is designed to reduce noise when a turntable is connected. This is not a safety ground.

10 INPUT terminals (INPUTS)

These are input terminals for CD player, turntable, tuner, DVD or other playback components.

- AUX-2:** Use these to connect a video deck or other component.

11 TAPE and MD REC terminals (REC)

- Recording terminals (REC)
- These are output jacks for reco ding.
- TAPE:** Use these to connect a cassette deck.
- MD:** Use these to connect an MD reco der.

12 Power cord

- Plug this cord into a wall power outlet.

13 Speaker terminals (SPEAKER SYSTEM)

- Use these to connect the speakers.

14 System connectors (SYSTEM CONNECTOR 1 and 2)

- When connecting the 201SA series in a system, connect these connectors to system connectors on other system components. (Use the system cords included with the other components.)

15 TAPE and MD PLAY terminals (PB)

- Playback terminals (PB)

(3) Display [6]

16 Main display section

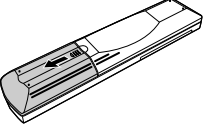
- The function, input program source, etc., are displayed here.
- During normal operation the input program source is displayed.
- When the mode button is pressed, the display switches to show the various functions.

7 SYSTEM REMOTE CONTROL

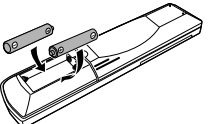
The included remote control unit (RC-906) can be used to perform the main operations of the units in the 201SA series that are connected with system connections. Other components cannot be operated with this remote control unit. Note that some functions may not operate with system remote control units. In this case, use the remote control unit included with the component.

(1) Inserting Batteries

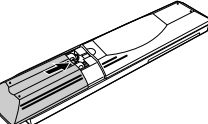
- Remove the remote control unit's cover.



- Insert two R03 AAA batteries into the battery compartment in the direction indicated by the marks.



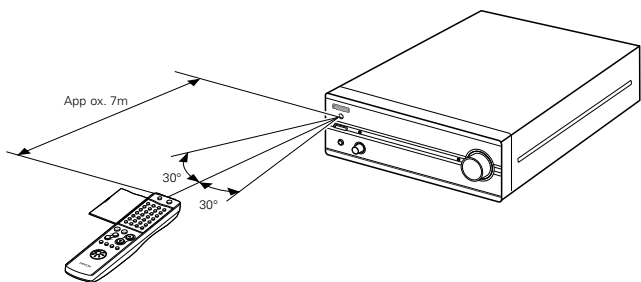
- Set the cover back in its original position.



Cautions on Batteries

- Use R03 AAA batteries in this remote control unit.
- Replace the batteries with new ones after approximately 1 year, though this depends on the frequency with which the remote control unit is used.
- Replace the batteries with new ones if the unit does not operate when the remote control unit is operated normally, even if the batteries are less than a year old.
- Be sure to insert the batteries in the proper direction, following the "+" and "-" marks in the battery compartment.
- To avoid damage or leakage of battery fluid:
 - Do not use a new battery with an old one.
 - Do not use two different types of batteries.
 - Do not short-circuit, take apart, heat or dispose of batteries in flames.
- Remove the batteries when you do not plan to use the remote control unit for an extended period of time.
- If the battery fluid should leak, carefully wipe off the fluid from the inside of the battery compartment, then insert new batteries.

(2) Using the Remote Control Unit



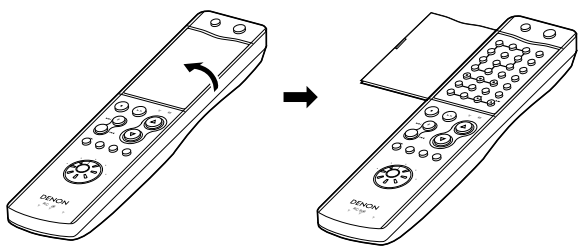
NOTES:

- The remote control unit may not work properly if the remote sensor is exposed to direct sunlight or strong artificial light or if there is an obstacle between the remote control unit and the remote sensor.
- Do not press the buttons on the main unit and the remote control unit at the same time. Doing so will result in malfunction.

- Point the remote control unit at the remote sensor on the main unit as shown on the diagram when operating it. (When system connections are made, the remote control signals for all the system components are received at the PMA-201SA remote sensor.)
- The remote control unit can be used from a straight distance of about 7 meters, but this distance will be shorter if there is an obstacle in the way or if the remote control unit is not pointed directly at the remote sensor.
- Use the remote control unit within a range of 30° to the left and right of the remote sensor.

(3) Names and Functions of Remote Control Unit Buttons

■ Opening the remote control unit's cover



■ Buttons not described here function in the same way as the corresponding buttons on the main unit.

Power standby button (SYSTEM POWER STANDBY)

Press this to set the PMA-201SA's power to the standby mode. (When connected in a system with the 201SA series, this button sets the power of the entire system to the standby mode.)

Power on button (SYSTEM POWER ON)

When this button is pressed while the PMA-201SA's power is in the standby mode, the PMA-201SA's power turns on. (When connected in a system with the 201SA series, this button turns on the power of the entire system.)

201SA series function operation block

When connected in a system with the 201SA series, these buttons are used to operate the various connected system components. For operating instructions, refer to the manuals of the various components.

DIMMER button

The display becomes darker (in 4 steps) each time this button is pressed. Adjust the brightness of the display according to the brightness of the room.

FUNCTION button

Press this to select the function source to be played. The function switches in the following order each time the button is pressed:

CD → TUNER → DVD/AUX → MD → TAPE → AUX 2 → P/NO →

VOLUME/SELECT buttons

- Press Δ to increase the volume, ∇ to decrease it.
- These buttons are also used to set various modes.

MODE button

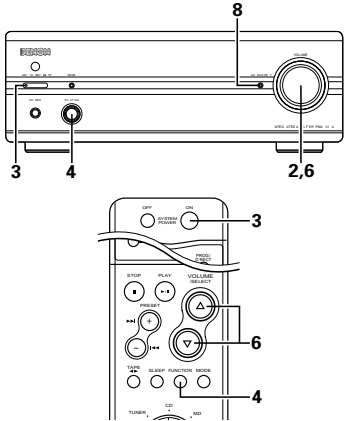
Remote control function selector switch

Use this to select the function to be operated with this remote control unit. For instructions on operating the various components, refer to their respective manuals.

- Models compatible with system remote control**
- Pre-main amplifier : PMA-201SA
 - Tuner : TU-201SA
 - CD player : DCD-201SA
 - Cassette deck : DRR-201SA
 - MD recorder : DMD-201SA

8 OPERATION

(1) Playback

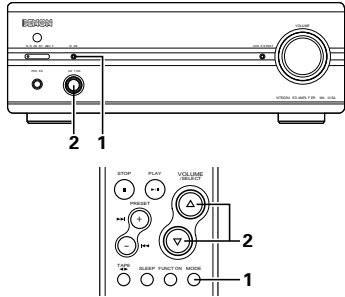


1	Check that all connections are correct.
2	Turn the volume control fully counterclockwise (⊖) to set the volume to the minimum.
3	Turn on the power. <ul style="list-style-type: none"> The indicator first flashes red, then turns green and stops flashing (remaining lit). <p>■ Power on/standby mode and function memory</p> <ul style="list-style-type: none"> When the remote control unit is used to turn the PMA-201SA's power on from the standby mode, the function is set to the function that was selected when the power was last set to the standby mode. (Last memory function) If the function has been cleared from the memory, the function is set to "CD" when the PMA-201SA's power is turned on.

4	<p>Either turn the FUNCTION dial on the main unit or press the remote control unit's FUNCTION button to select the function source to be played.</p> <ul style="list-style-type: none"> The function switches in the order shown below. *The function switches in the opposite order when the dial is turned counterclockwise (⊖).
5	<p>Start playback of the selected function source.</p> <ul style="list-style-type: none"> For instructions on operation, refer to the component's operating instructions.
6	Adjust the volume.
7	Adjust the BALANCE, BASS, and TREBLE controls and set the LOUDNESS position to the desired position. *For instructions on adjusting, see "(2) Setting the various modes" on page 9, 10.
8	<p>To use the source direct function: Set the SOURCE DIRECT button to the "ON" position.</p>

(2) Setting the various modes

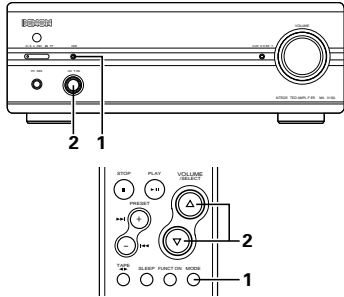
[1] Adjusting the bass and treble



1	<p>Press the MODE button to display the mode to be adjusted ("BASS" or "TREBLE").</p>
2	<p>Adjust the BASS and TREBLE controls.</p>

1	<p>Press the MODE button to display the mode to be adjusted ("BASS" or "TREBLE").</p>
2	<p>Adjust the BASS and TREBLE controls.</p>

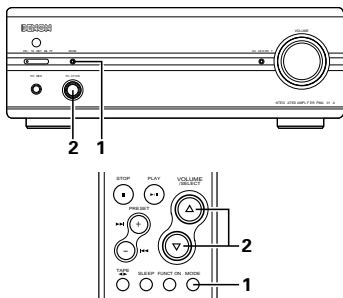
[2] Setting the loudness mode



1	<p>Press the MODE button to display "LOUDNESS".</p>
2	<p>Adjust the LOUDNESS control.</p>

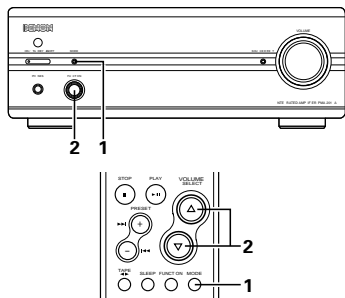
NOTE:
The maximum total volume increase for the bass, treble and loudness together is +12. If for example the bass and treble are set to +12, the sound does not change when the loudness function is turned on and off.

[3] Setting the speaker mode



1	<p>Press the MODE button to display "SPEAKER".</p> <ul style="list-style-type: none"> The mode switches as shown at the left each time the button is pressed. <p>(Main unit) (remote control unit)</p>
2	<p>Either turn the FUNCTION dial on the main unit or use the remote control unit's SELECT buttons.</p> <p>(Main unit) (remote control unit)</p> <ul style="list-style-type: none"> To set to "ON": Turn the dial clockwise (↻) or press the Δ button. To set to "OFF": Turn the dial counterclockwise (↺) or press the ▽ button.

[4] Adjusting the balance



1	<p>Press the MODE button to display "BALANCE".</p> <p>(Main unit) (remote control unit)</p> <ul style="list-style-type: none"> The mode switches as shown at the left each time the button is pressed. *"BALANCE" cannot be selected when the source direct mode is on.
2	<p>Either turn the FUNCTION dial on the main unit or use the remote control unit's SELECT buttons.</p> <p>(Main unit) (remote control unit)</p> <ul style="list-style-type: none"> If the volume of the right speaker is low: Turn the dial clockwise (↻) or press the Δ button. If the volume of the left speaker is low: Turn the dial counterclockwise (↺) or press the ▽ button. The balance can be set to "CENTER" or adjusted within the range of +1 to +10 in steps of 1. When set "CENTER", the difference between the volume of the left and right speakers is 0.

[9] SYSTEM FUNCTIONS

- Operation is even easier when the components in the 201SA series are connected to the PMA-201SA with system connections. (For instructions on connections, refer to "CONNECTIONS" on page 5, 6.)
- All the system function signals for operating the components in the 201SA series are output from the PMA-201SA, so be sure to connect the PMA-201SA when making system connections.
- The system functions will only work when the components of the 201SA series are connected. They will not work with other components.
- When system connections are made, the system functions described below can be used.
 - (1) The system remote control unit (RC-906) included with the PMA-201SA can be used to perform the main operations on the other components.
 - (2) The remote control signals of the other components are received by the PMA-201SA's remote sensor.
 - (3) **Auto power on function:**
When the system is set to the standby mode, the power turns on automatically when the PLAY/PAUSE button (▶ ||) on the CD player (DCD-201SA), cassette deck (DRR-201SA), and MD recorder (DMD-201SA) is pressed, and playback begins. In addition, if one of the preset buttons (PRESET UP or DOWN) on the tuner (TU-201SA) is pressed, the tuner's power turns on and the radio program is tuned in.
 - (4) **Auto function selection:**
The function automatically switches when the PLAY/PAUSE button (▶ ||) on the CD player (DCD-201SA), cassette deck (DRR-201SA), and MD recorder (DMD-201SA) is pressed, and playback begins.
 - (5) **CD synchronized recording:**
CDs can be recorded on the cassette deck (DRR-201SA), MD recorder (DMD-201SA) simply by pressing the CD SRS button on the cassette deck.
 - (6) **Simultaneous recording:**
When the PLAY/PAUSE button (▶ ||) on the CD player (DCD-201SA) is pressed while the cassette deck (DRR-201SA), MD recorder (DMD-201SA) is set to the recording pause mode, recording starts automatically.
 - (7) **Timer functions:**
The timer functions on the tuner (TU-201SA) can be used to start playback or record radio programs ("air check") at set times. The sleep timer can also be used.
- For instructions on the various operations, refer to the components' operating instructions.

10 TROUBLESHOOTING

Check the following before assuming there is a problem with the set.

1. Are all connections proper ?
2. Is the set being operated as described in the operating instructions ?
3. Are the speakers and input components being operated properly ?

If the set does not seem to be operating properly, check the points listed below. If these points do not apply, the set may be damaged. Turn off the power immediately and contact your store of purchase.

Symptom	Cause	Remedy	page
POWER LED does not light and no sound is produced when POWER switch is turned on.	<ul style="list-style-type: none"> • Power supply cord is not connected. 	<ul style="list-style-type: none"> • Check that the cord is plugged in. 	5, 7
POWER LED lights but no sound is produced.	<ul style="list-style-type: none"> • Speaker cords not properly connected. • INPUT SELECTOR not set to proper position. • VOLUME control turned down. 	<ul style="list-style-type: none"> • Connect securely. • Set to the proper position. • Set to an appropriate level. 	5, 6 9 9
Sound is not produced from one side only.	<ul style="list-style-type: none"> • Speaker cords not properly connected. • Input cords not properly connected. • Left/right balance improperly adjusted. 	<ul style="list-style-type: none"> • Connect securely. • Connect securely. • Adjust the BALANCE control. 	6 5 10
Volume level is different when listening to tuner and records.	<ul style="list-style-type: none"> • Tuner and record outputs different. 	<ul style="list-style-type: none"> • Adjust the tuner output to the turntable's output (if the tuner is equipped with an output control). 	—
Positions of instruments inverted for stereo sources.	<ul style="list-style-type: none"> • Left and right speakers or input cords inverted. 	<ul style="list-style-type: none"> • Check the left/right connections. 	5, 6
Booming sound produced when playing records.	<ul style="list-style-type: none"> • Turntable's ground wire not connected. • Input cords not properly connected to PHONO terminals. • Influence from a TV or other electrical device near the turntable. 	<ul style="list-style-type: none"> • Connect securely. • Connect securely. • Change the position of installation. 	5 5 —
Howling produced when volume is turned up while playing records.	<ul style="list-style-type: none"> • Turntable and speaker systems are too close. • Floor is soft and vibrates easily. 	<ul style="list-style-type: none"> • Move speaker systems as far away as possible. • Use cushions to absorb the vibrations transmitted from the floor to the speakers. If the turntable does not include insulators, use audio insulators, available in stores. 	— —
Sound is distorted.	<ul style="list-style-type: none"> • Stylus pressure is too light. • Dirt on tip of stylus. • Defective cartridge. 	<ul style="list-style-type: none"> • Apply proper pressure. • Check the tip of the stylus. • Replace the cartridge. 	— — —
This unit does not operate properly when remote control of unit is used.	<ul style="list-style-type: none"> • Batteries dead. 	<ul style="list-style-type: none"> • Replace with new batteries. 	7
	<ul style="list-style-type: none"> • Remote control unit too far from this unit. 	<ul style="list-style-type: none"> • Move closer. 	8
	<ul style="list-style-type: none"> • Obstacle between this unit and remote control of unit. 	<ul style="list-style-type: none"> • Remove obstacle. 	8
	<ul style="list-style-type: none"> • Different button is being pressed. 	<ul style="list-style-type: none"> • Press the proper button. 	8
	<ul style="list-style-type: none"> • ⊕ and ⊖ ends of battery inserted in reverse. 	<ul style="list-style-type: none"> • Insert batteries properly. 	7

11 SPECIFICATIONS

■ POWER AMPLIFIER SECTION

Rated Output Power:

Output terminals:

• PRE AMPLIFIER SECTION

Rated Output:

Input Sensitivity/

Input Impedance:

50 W + 50 W (4 Ω/ohms, DIN, 1 kHz, T.H.D. 0.7%)
4 to 16Ω/ohms

150 mV (Recout Terminal)

PHONO: 2.5 mV/47 kΩ/kohms
CD, TUNER, DVD/AUX,

TAPE, MD, AUX-2: 100 mV/16 kΩ/kohms

PHONO: 20 Hz to 20 kHz ±0.5 dB

RIAA Deviation:

• OVERALL CHARACTERISTICS

SN Ratio (IHF A Network):

PHONO: 80 dB (at 5 mV input) (input terminals short-circuited)

CD, TUNER, DVD/AUX,

TAPE, MD, AUX-2: 102 dB (SOURCE DIRECT: ON)

5 Hz to 100kHz: +0, -3 dB (SOURCE DIRECT: ON)

BASS: 100 Hz ±8 dB

TREBLE: 10 kHz ±8 dB

LOUDNESS: 100 Hz +6 dB

10 kHz +4 dB

• OTHERS

Power Supply:

Power Consumption:

AC 230 V, 50 Hz

110 W

Approx. 1W in standby mode)

250 (W) X 90 (H) X 371 (D) mm

6.0 kg

Dimensions:

Mass:

• REMOTE CONTROL UNIT (RC-906)

Remote control system:

Power supply:

Infrared pulse system

3 V DC, Two size R03 ("AAA")

dry cell batteries

48 (W) X 210 (H) X 29 (D) mm

120 g

(including batteries)

* Maximum dimensions include controls, jacks, and covers.

(W) = width, (H) = height, (D) = depth


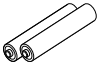
• For improvement purposes, specifications and functions are subject to change without advanced notice.

INHALT

1 HAUPTMERKMALE	12	7 SYSTEMFERNBEDIENUNG	15, 16
2 VOR INBETRIEBNAHME	12	8 BETRIEB	17, 18
3 VORSICHTSMASSNAHMEN ZUR INSTALLATION	12	9 SYSTEMFUNKTIONEN	18
4 VORSICHTSMASSNAHMEN ZUR HANDHABUNG	12	10 FEHLERSUCHE	19
5 ANSCHLÜSSE	13, 14	11 TECHNISCHE DATEN	19
6 BAUTEIL-BEZEICHNUNGEN UND FUNKTIONEN	15		

ZUBEHÖRS

Stellen Sie sicher, daß die nachfolgend aufgeführten Zubehörteile dem Hauptgerät beiliegen:

① Fernbedienungsgerät (RC-906)	1		②	
② R03/AAA-Batterien	2			
③ Betriebsanleitung	1			
④ MW-Rahmenantenne	1			

1 HAUPTMERKMALE

1. HC-TR-Ausgangsschaltung für Feinheit und Leistung

Eine einfache Gegentaktschaltung mit einem HC-TR (Starkst-om-Transistor), der auf den gleichen Prinzipien basiert wie das UHC-MOS im POA-S1, dem erstklassigen monauralen Leistungsverstärker von Denon, erzielt eine stabile Starkstromversorgung und eine exzellente Kleinsignallinearität. Das Ergebnis ist ein hoher Grad an Feinheit und Leistung.

2. Die leistungsfähige Starkstromschaltung unterstützt die ausdrucksstarken Fähigkeiten der HC-TR-Ausgangsschaltung

Die leistungsfähige Starkstromschaltung besteht aus Hochleistungs-Gleichrichterdiolen und großen Tonqualitätsblock-Kondensatoren, die dafür sorgen, dass sich das maximale Potential der HC-Transistorausgangsschaltung entfalten kann.

3. S.L.D.C.

Beim PMA-201SA kommt die S.L.D.C. (Signal Level Divided Construction) für die Trennung der unterschiedlichen Schaltungen zum Einsatz (Kleinsignalschaltung, Großsignalschaltung, Mikroprozessorschaltung, usw.)

4. Quellen-Direktfunktion für bessere Tonqualität

Der PMA-201SA ist mit einer Quellen-Direktfunktion ausgestattet, die den Tiefen-, Höhen-, Loudness- und Balance-Schaltkreis umleitet, um einen einzigen Signalweg zu erhalten, der dafür sorgt, dass der Ton klar bleibt.

5. Systemfernbedienung

Dem PMA-201SA liegt eine Systemfernbedienung bei, mit der die verschiedenen Komponenten der 201SA-Serie (CD-Player, MD-Recorder, CD-Recorder, Cassetten Deck und Tuner, nur bei Systemanschlüssen) gesteuert werden können.

6. Niedriger Stromverbrauch im Bereitschaftsbetrieb

Der Stromverbrauch im Bereitschaftsbetrieb wird auf 1 W oder weniger reduziert.

2 VOR INBETRIEBNAHME

Beachten Sie vor der Inbetriebnahme des Gerätes die nachfolgend aufgeführten Hinweise:

• Transport des Gerätes

Um sowohl Kurzschlüsse als auch eine Beschädigung der Drähte in den Anschlußkabeln zu vermeiden, müssen vor einem Transport des Gerätes sowohl das Netzkabel als auch alle Anschlußkabel zwischen den einzelnen Audio-Komponenten abgetrennt sein.

• Vor dem Einschalten des Netzschalters

Vergewissern Sie sich noch einmal, daß alle Anschlüsse richtig ausgeführt worden sind und es keinerlei Probleme mit den Anschlußkabeln gibt. Stellen Sie den Netzschalter vor dem Anschließen bzw. Abtrennen von Anschlußkabeln stets auf die Standby-Position.

• Bewahren Sie diese Betriebsanleitung an einem sicheren Ort auf.

Bewahren Sie diese Betriebsanleitung nach dem Durchlesen zusammen mit der Garantiekarte an einem sicheren Ort auf.

• Beachten Sie bitte, daß die Abbildungen in dieser Betriebsanleitung für Erklärungszwecke vom aktuellen Gerätemodell abweichen können.

3 VORSICHTSMASSNAHMEN ZUR INSTALLATION

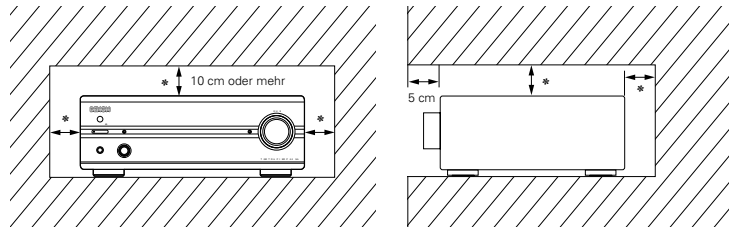
Ton- und Bildstörungen können auftreten, wenn dieses Gerät oder ein anderes Mikroprozessor anwendendes Elektrogerät in der Nähe eines Tuners oder Fernsehgerätes betrieben wird.

Verfahren Sie in einem derartigen Fall wie nachfolgend aufgeführt:

- Installieren Sie das Gerät in größtmöglicher Entfernung zum Tuner oder Fernsehgerät.
- Verlegen Sie die Antennendrähte vom Tuner oder Fernsehgerät in ausreichender Entfernung sowohl zum Netzkabel als auch zu den Eingangs-/Ausgangsanschlußkabeln dieses Gerätes.

• Ton- und Bildstörungen treten insbesondere bei Benutzung einer Innenantenne oder beim Anschluß von 300 Ω/Ohm Zuleitungen auf. **Wir empfehlen die Verwendung von Außenantennen und 75 Ω/Ohm Koaxialkabeln.**

Zur Gewährleistung einer ausreichenden Wärmeabfuhr, sollte oberhalb, seitlich sowie hinter dem Gerät ein Mindestabstand von 10 cm zur Wand oder zu anderen Komponenten eingehalten werden.



4 VORSICHTSMASSNAHMEN ZUR HANDHABUNG

• Umschalten der Eingangsfunktion, wenn keine Eingangsbuchsen angeschlossen sind

Wenn die Eingangsfunktion umgeschaltet wird, wenn nichts an die Eingangsbuchsen angeschlossen wurde, ist möglicherweise ein Klicken zu hören. Drehen Sie in einem derartigen Fall entweder den MASTER VOLUME-Regler herunter oder schließen Sie Komponenten an die Eingangsbuchsen an.

Trennen Sie unbedingt das Netzkabel ab, wenn Sie für einen längeren Zeitraum, z.B. im Urlaub, nicht zuhause sind.

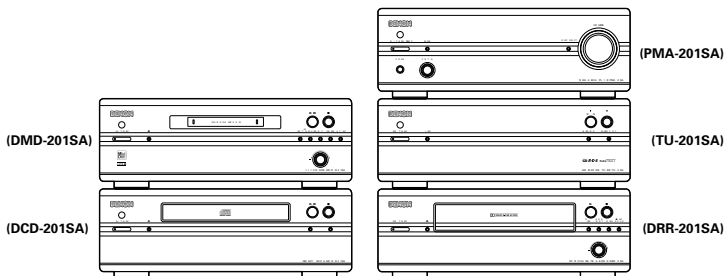
DEUTSCH

Systemfunktionen

- Systemfunktionen wie die Timer-Aufnahme/Wiedergabe und autom. Funktionseinschaltung können nur aktiviert werden, wenn Stereoaudiokabel und Systemkabel zwischen allen Systemkomponenten angeschlossen werden. Ve gewissern Sie sich, dass alle Anschlusskabel zwischen den Einheiten fest angeschlossen sind.
- Wenn ein Systemkabel während des Betriebs abgezogen wird, kann eine Fehlfunktion auftreten. Ziehen Sie unbedingt die Netzkabel ab, bevor Anschlussänderungen vorgenommen werden.

Empfohlene Systeminstallation

- Installieren Sie das System (201SA-Serie) wie unten beschrieben, um Leistung und Stabilität zu gewährleisten.



- * Stellen Sie keine andere Komponente direkt auf den PMA-201SA. Lassen Sie mindestens 10 cm über dem PMA-201SA Platz, damit die Ventilationsöffnungen nicht blockiert werden und Hitze entweichen kann.
- * Stapeln Sie aus Stabilitätsgründen nicht mehr als drei Komponenten übereinander.

Lautsprechersystem-Anschlüsse

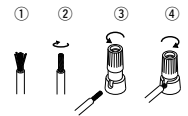
Lautsprecherimpedanz

Verwenden Sie Lautsprechersysteme mit einer Impedanz von 4 bis 16Ω/Ohm.

- Beachten Sie, dass die Verwendung von Lautsprechern mit einer anderen Impedanz die Schutzschaltung aktiviert und dadurch Schäden verursacht werden können.

Anschließen der Lautsprecherkabel

- ① Streifen Sie die Mantelung vom Ende des Kabels ab.
- ② Drehen Sie die Kabeladern.
- ③ Drehen Sie die Lautsprecherklemme entgegen des Uhrzeigersinns, um sie zu lösen.
- ④ Setzen Sie die Kabeladern vollständig ein und drehen Sie die Klemme dann im Uhrzeigersinn, um sie wieder zu befestigen.



- © Achten Sie darauf, daß Sie die Kabel zwischen den Lautsprecherklemmen und den Lautsprechersystemen mit den gleichen Polaritäten (⊕ an ⊕, ⊖ an ⊖) anschließen. Andernfalls ist der Mittelklang schwach und die Position der verschiedenen Instrumente ist undeutlich. Dies verringert den Stereo-Effekt.
- © Achten Sie beim Anschließen der Lautsprecher darauf, daß die Kabeladern nicht aus den Klemmen herausragen und andere Klemmen, sich gegenseitig oder die Rückseite des Gerätes berühren.

Schutzschaltung

Dieses Gerät ist mit einer Hochgeschwindigkeits-Schutzschaltung versehen.

Diese Schaltung dient zum Schutz der inneren Schaltungen, die sonst leicht beschädigt werden können, wenn die Lautsprecherklemmen nicht vollständig angeschlossen sind, oder wenn ein Ausgang durch einen Kurzschluß generiert wird. Bei Einsatz dieser Schutzschaltung wird der Ausgang zu den Lautsprecher abgeschnitten. Sehen Sie in diesem Falle zu, daß der Netzanschluß des Gerätes abgeschaltet wird, und daß die Anschlüsse zu den Lautsprechern überprüft werden.

Schalten Sie den Netzanschluß dann wieder ein. Nach der mehrere Sekunden lang dauernden Stummschaltung funktioniert das Gerät wieder normal.

HINWEIS:

- Berühren Sie die Lautsprecherklemmen NIEMALS, wenn der Strom eingeschaltet ist. Dies könnte einen elektrischen Schlag verursachen.

6 BAUTEILBEZEICHNUNGEN UND FUNKTIONEN

(1) Frontplatte

1 Netztaaste (ON/STANDBY OFF)

- Wenn sie gedrückt und auf die Position "ON" gestellt wird, wird die Stromversorgung eingeschaltet und die Anzeige und das Display leuchten. Der Sound wird für einige Sekunden ausgeblendet, danach wird die Stromversorgung eingeschaltet.
- Wenn sie noch einmal gedrückt und auf die Position "OFF" gestellt wird, wird die Stromversorgung ausgeschaltet.
- Die Farbe der Anzeige wechselt entsprechend des Betriebs wie folgt:

Hauptschalter Ein	Hauptgerät-Modus	LED
ON (ON)	Betrieb	Leuchtet (grün)
	Stummuschaltung	Blinkt (grün)
	Standby	Leuchtet (rot)
OFF (OFF)		Aus

* Der Stummuschaltmodus ist für einige Sekunden eingestellt, wenn der Netzschalter des Hauptgerätes auf ON gestellt wird oder wenn der Standby-Modus mit Hilfe der Fernbedienung entaktiviert worden ist. Die LED blinkt im Stummuschalt-Modus, beendet dann das Blinken und bleibt erleuchtet, wenn das Gerät betriebsbereit ist.

* Wenn die Anzeige orange blinkt (schnell): Die Schutzschaltung wird aktiviert.

Wenn dies geschieht, stellen Sie die Netztaaste auf die Position "OFF", um die Anzeige auszuschalten, prüfen Sie anschließend die Eingangs- und Ausgangsanschlüsse am hinteren Anschlussfeld.

Prüfen Sie insbesondere, ob ein Kurzschluss in den Lautsprecherkabeln aufgetreten ist. Schalten Sie nach der Korrektur aller Anschlüsse die Stromversorgung wieder ein. (Warten Sie nach Ausschalten der Stromversorgung mindestens 10 Sekunden, bevor Sie sie wieder einschalten.)

• Wenn das PMA-201SA an ein System der 201SA-Serie angeschlossen wird, dient die Netztaaste als Hauptschalter für das gesamte System. Wenn die Stromversorgung des PMA-201SA eingeschaltet wird, wird die Stromversorgung aller angeschlossenen Systemkomponenten eingeschaltet.

* Der PMA-201SA wird mit Strom versorgt, auch wenn der Bereitschaftsbetrieb aktiviert ist (geringer Stromverbrauch).

2 PHONES (Kopfhörerbuchse)

- Hier können Sie ein Paar Kopfhörer (optional erhältlich) anschließen.
- Wenn der Kopfhörerstecker in die Buchse gesteckt wird, wird die Ausgabe über Lautsprecher automatisch deaktiviert, sodass kein Ton von den Lautsprechern produziert wird.

3 REMOTE SENSOR (Fernbedienungssensor)

Dieser Sensor fängt die von der drahtlosen Fernbedienung übermittelten infraroten Lichtstrahlen auf. Soll eine Fernbedienung durchgeführt werden, ist die drahtlose Fernbedienung direkt auf das Sensorfenster zu richten.

4 Funktionswähler (FUNCTION)

- Wechselt die Eingangsfunktion. Damit werden auch die Betriebe eingestellt, die mit der Betriebstaste gewählt wurden. (Siehe Seiten 17 bis 18.)

5 Betriebstaste (MODE)

- Stellen Sie mit dieser Taste den Tiefen-, Höhen- und Balancepegel ein. (Beziehen Sie sich auf Seite 17, 18.)
- Schalten Sie mit dieser Taste die Loudness-Funktion ein und aus. (Beziehen Sie sich auf Seite 17.)
- Stellen Sie mit dieser Taste das Lautsprechersystem ein. (Beziehen Sie sich auf Seite 18.)

6 Display

Beziehen Sie sich auf Seite 15.

7 Source direct button (SOURCE DIRECT)

Die Regler BASS, TREBLE, LOUDNESS und BALANCE können betätigt werden, wenn sich dieser Schalter in der Position OFF befindet. Befindet sich der Schalter auf der Position ON, werden die oben aufgeführten Regler umgangen und die Signale werden direkt zur Lautstärkeregelung eingegeben. Dies garantiert einen hochwertigen Klang.

8 VOLUME (Lautstärkereglern)

- Dieser Regler dient zum gleichzeitigen Einstellen der Lautstärke beider Kanäle. Drehen Sie diesen Regler im Uhrzeigersinn, um die Lautstärke zu erhöhen und gegen den Uhrzeigersinn, um sie zu verringern.

(2) Rückwand

9 SIGNAL GND (Erdungsklemme)

- Schließen Sie die Erdungsleitung des Plattenspielers hier an.

HINWEIS:

- Diese Anschlussklemme dient zur Reduzierung von Störungen, wenn ein Plattenspieler angeschlossen worden ist; sorgt jedoch nicht für eine komplette Erdung.

10 INPUT-Anschlüsse (INPUTS)

Dies sind Eingangsanschlüsse für CD-Player, Plattenspieler, Tuner, DVD oder andere Wiedergabekomponenten.

- **AUX2:** Schließen Sie hier ein Video Deck oder eine andere Komponente an.

11 TAPE- und MD REC-Anschlüsse (REC)

- **Aufnahmeanschlüsse (REC):** Dies sind Ausgangsanschlüsse für die Aufnahme.
- **TAPE:** Schließen Sie hier ein Cassetten Deck an.
- **MD:** Schließen Sie hier ein MD-Reco an.

12 Netzkabel

- Schließen Sie das Kabel an eine Wandnetzsteckdose an.

13 SPEAKER SYSTEMS-Klemmen (Lautsprechersystem)

- Schließen Sie die Lautsprechersysteme hier an.

14 Systemanschlüsse (SYSTEM CONNECTOR 1 und 2)

- Schließen Sie beim Zusammenschluss der 201SA-Serie zu einem System diese Anschlüsse an die Systemanschlüsse der anderen Systemkomponenten an. (Verwenden Sie die Systemkabel, die den anderen Komponenten beiliegen.)

15 TAPE- und MD PLAY-Anschlüsse (PB)

- Wiedergabeanchlüsse (PB)

(3) Display

16 Hauptanzeigebereich

- Hier wird die Funktion, die Eingangsprogrammquelle, usw. angezeigt.
- Während des normalen Betriebs wird die Eingangsprogrammquelle angezeigt.
- Wenn die Betriebstaste gedrückt wird, zeigt die Anzeige die verschiedenen Funktionen an.

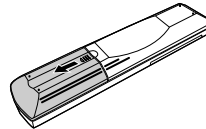
7 SYSTEMFERNBEDIENUNG

■ Mit der beiliegenden Systemfernbedienung (RC-906) können Hauptbedienschritte der durch Systemanschlüsse verbundenen Einheiten der 201SA-Serie ausgeführt werden. Andere Komponenten können nicht mit dieser Fernbedienung bedient werden.

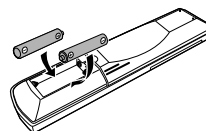
Beachten Sie, dass einige Funktionen nicht mit der Systemfernbedienung ausgeführt werden können. Verwenden Sie in solch einem Fall die Fernbedienung, die zu dieser Komponente gehört.

(1) Einlegen der Batterien

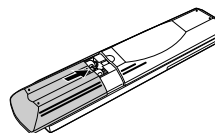
- Entfernen Sie die rückwärtige Abdeckung des Fernbedienungsgerätes.



- Legen Sie die beiden R03/AAA-Batterien in der angegebenen Richtung in das Batteriefach ein.



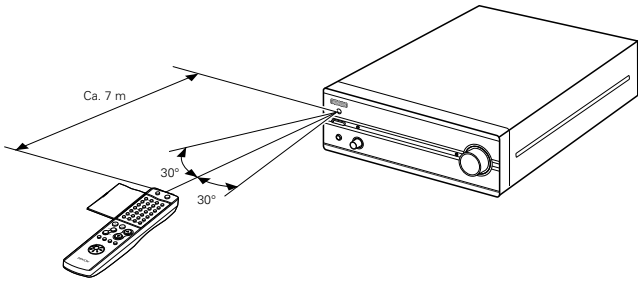
- Setzen Sie die rückwärtige Abdeckung wieder auf.



Hinweise zu Batterien

- Verwenden Sie im Fernbedienungsgerät R03/AAA-Batterien.
- Die Batterien sollten ca. einmal jährlich gegen neue ausgetauscht werden. Wie oft ein Batteriewechsel jedoch tatsächlich erforderlich ist, hängt von der Häufigkeit der Benutzung des Fernbedienungsgerätes ab.
- Tauschen Sie die Batterien auch vor Ablauf eines Jahres aus, wenn sich das Gerät selbst aus nächster Entfernung nicht mit dem Fernbedienungsgerät bedienen lässt. (Die mitgelieferte Batterie ist ausschließlich für Testzwecke vorgesehen. Tauschen Sie die Batterie so bald wie möglich aus.)
- Achten Sie beim Einlegen der Batterien unbedingt auf die richtige Ausrichtung der Polaritäten. Folgen Sie den "+"- und "-"-Zeichen im Batteriefach.
- Um Beschädigungen oder ein Auslaufen von Batterieflüssigkeit zu vermeiden:
 - Verwenden Sie keine neuen und alten Batterien zusammen.
 - Verwenden Sie keine verschiedenen Batterietypen gleichzeitig.
 - Schließen Sie Batterien nicht kurz, zerlegen und erhitzen Sie sie nicht und werfen Sie Batterien niemals in offenes Feuer.
- Nehmen Sie die Batterien aus dem Fernbedienungsgerät heraus, wenn Sie beabsichtigen, es über einen längeren Zeitraum hinweg nicht zu benutzen.
- Sollte einmal Batterieflüssigkeit ausgelaufen sein, so wischen Sie das Batteriefach sorgfältig aus und legen Sie neue Batterien ein.

(2) Fernbedienungsbetrieb



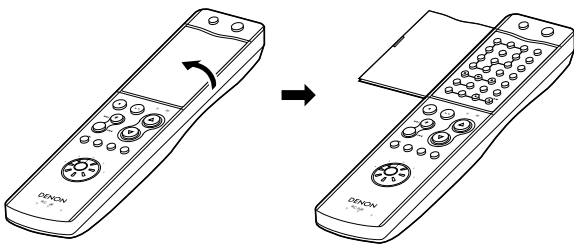
HINWEISE:

- Der Betrieb des Fernbedienungsgerätes ist möglicherweise schwierig, wenn der Fernbedienungssensor direktem Sonnenlicht oder starkem künstlichem Licht ausgesetzt ist.
- Drücken Sie keine Tasten am Hauptgerät und auf dem Fernbedienungsgerät gleichzeitig, da dies in einer Fehlfunktion resultieren würde.
- Neonschilder oder andere sich in der Nähe befindliche impulsartige Störungen ausstrahlende Geräte können Fehlfunktionen verursachen. Halten Sie die Anlage soweit wie möglich von derartigen Einrichtungen fern.

- Richten Sie das Fernbedienungsgerät - wie im Diagramm gezeigt - auf den Fernbedienungssensor am Hauptgerät.
- Die Reichweite des Fernbedienungsgerätes beträgt aus gerader Entfernung vom Hauptgerät ca. 7 Meter. Diese Entfernung verkürzt sich jedoch, wenn Gegenstände im Weg liegen oder das Fernbedienungsgerät nicht direkt auf den Fernbedienungssensor gerichtet wird.
- Das Fernbedienungsgerät kann in einem horizontalen Winkel von bis zu 30 Grad zum Fernbedienungssensor betrieben werden.

(3) Bezeichnung und Funktion der Fernbedienungstasten

■ Die Abdeckung der Fernbedienung öffnen



■ Tasten, die hier nicht beschrieben sind, haben die gleiche Funktion wie die entsprechenden Tasten auf der Fernbedienung der Haupteinheit.

Bereitschaftsbetriebstaste (SYSTEM POWER STANDBY)
Drücken Sie diese Taste, um die Stromversorgung des PMA-2015A in Bereitschaft zu schalten. Bei Anschluss an ein System der 2015A-Serie schaltet diese Taste die Stromversorgung des gesamten Systems in Bereitschaft.)

Netzstaste (SYSTEM POWER ON)
Wenn diese Taste gedrückt wird, während die Stromversorgung des PMA-2015A in Bereitschaft geschaltet ist, wird der PMA-2015A eingeschaltet. Bei Anschluss an ein System der 2015A-Serie schaltet diese Taste die Stromversorgung des gesamten Systems ein.)

Funktionsbedienungsblock der 2015A-Serie
Bei einem Anschluss an ein System der 2015A-Serie, werden mit diesen Tasten die angeschlossenen Systemkomponenten bedient. Beziehen Sie sich hinsichtlich der Bedienungsanweisungen auf die Handbücher der verschiedenen Komponenten.

DIMMER-taste
Mit Hilfe dieser Funktion können Sie die Helligkeit des Displays verändern. Die Display-Helligkeit ändert sich bei mehrfacher Betätigung der DIMMER-Taste auf dem Fernbedienungsgerät in vier Schritten (hell, mittel, gedimmt, aus).

FUNCTION-Taste
Drücken Sie diese Taste, um die Funktionsquelle auszuwählen, die abgespielt werden soll. Die Funktion wechselt bei jeder Tastenbetätigung in der folgenden Reihenfolge:
CD → TUNER → DVD/AUX → MD → TAPE → AUX 2 → PNONO →

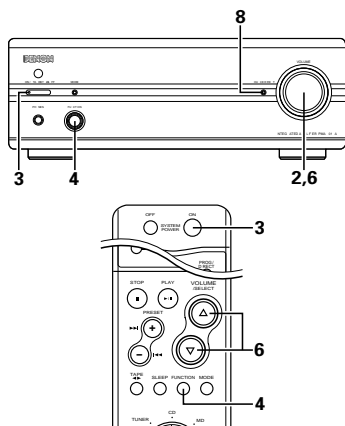
VOLUME/SELECT-Tasten
• Drücken Sie Δ , um die Lautstärke zu erhöhen; drücken Sie ∇ , um sie zu senken.
• Mit diesen Tasten werden auch die verschiedenen Betriebsarten eingestellt.

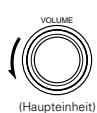
Funktionswahlschalter auf der Fernbedienung
Wählen Sie mit diesem Schalter die Funktion aus, die mit der Fernbedienung bedient werden soll. Beziehen Sie sich hinsichtlich der Bedienung der verschiedenen Komponenten auf die jeweiligen Handbücher.

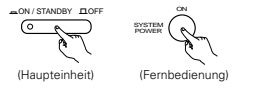
- Modelle, die mit der Systemfernbedienung kompatibel sind**
- Hauptvorverstärker : PMA-2015A
 - Tuner : TU-2015A
 - CD-Player : DCD-2015A
 - Cassetten Deck : DRR-2015A
 - MD-Recorder : DMD-2015A

8 BETRIEB

(1) Wiedergabe

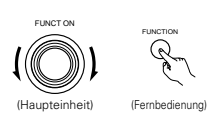


- 1** Überprüfen Sie, ob alle Verbindungen richtig sind.
- 2** Drehen Sie den Lautstärkeregler entgegen den Uhrzeigersinn auf (0) die Minimum-Position.
 

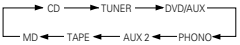
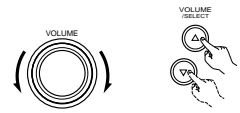
(Haupteinheit)
- 3** Schalten Sie das Gerät ein.
 - Diese Anzeige blinkt zunächst rot, dann grün und hört dann auf zu blinken (bleibt erleuchtet).


(Haupteinheit) (Fernbedienung)

 - Stromversorgungs-/Bereitschaftsbetrieb und Funktionsspeicher
 - ⊗ Wenn bei aktiviertem Bereitschaftsbetrieb die Stromversorgung des PMA-201SA mit der Systemfernbedienung eingeschaltet wird, wird die Funktion eingestellt, die eingestellt war als die Stromversorgung in Bereitschaft geschaltet wurde. (Letzte Speicherfunktion)
 - ⊗ Wenn die Funktion aus dem Speicher gelöscht wurde, wird die Funktion bei Einschalten der Stromversorgung des PMA-201SA auf "CD" gestellt.

- Drehen Sie entweder den FUNCTION-Wähler auf der Haupteinheit oder drücken Sie die FUNCTION-Taste auf der Fernbedienung, um die Funktionsquelle auszuwählen, die abgespielt werden soll.
- Die Funktion wechselt in der unten angezeigten Reihenfolge.
 - * Die Funktion wechselt in der umgekehrten Reihenfolge, wenn der Wähler gegen den Uhrzeigersinn (↻) gedreht wird.
- 4**


(Haupteinheit) (Fernbedienung)


 - 5** Starten Sie die Wiedergabe von der angewählten Komponente.
 - Einzelheiten zum Betrieb entnehmen Sie bitte der Betriebsanleitung der entsprechenden Komponente.
 - 6** Stellen Sie die Lautstärke ein.
 

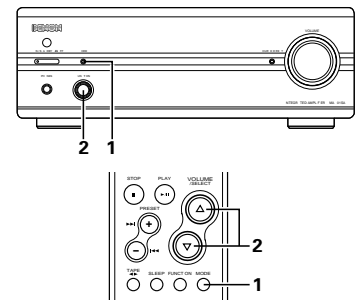
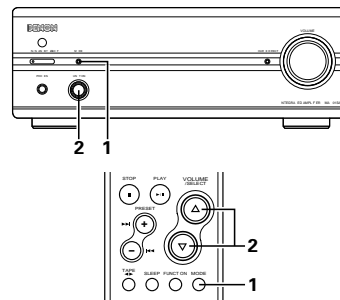
(Haupteinheit) (Fernbedienung)
 - 7** Justieren Sie die BALANCE-, BASS- und TREBLE-Regler und stellen Sie die LOUDNESS-Regler auf die gewünschte Position.
 - * Anleitungen hierzu finden Sie im Abschnitt "(2) Einstellung der verschiedenen Betriebsarten" auf Seite 17, 18.
 - 8** **Verwendung der Quellen-Direktfunktion:** Stellen Sie die SOURCE DIRECT-Taste auf die Position "ON".
 

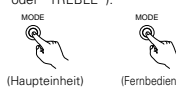

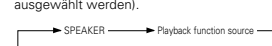
(Haupteinheit)

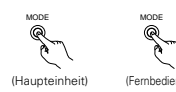
(2) Einstellen der verschiedenen Betriebsarten

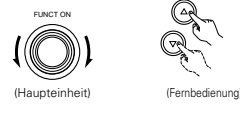
[1] Einstellen der Tiefen und Höhen

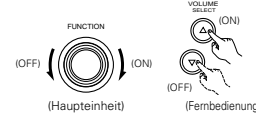
[2] Einstellen des Loudness-Modus



- Drücken Sie die MODE-Taste, um den Modus anzeigen zu lassen, der eingestellt werden soll ("BASS" oder "TREBLE").
- 
- (Haupteinheit) (Fernbedienung)
- Bei jeder Tastenbetätigung wird der Modus wie folgt eingestellt:
- 
- Playback function source
- * Wenn der Quellen-Direkt betrieb eingestellt ist, wechselt der Betrieb wie unten angezeigt (die BASS- und TREBLE-Einstellmodi können nicht ausgewählt werden).
- 

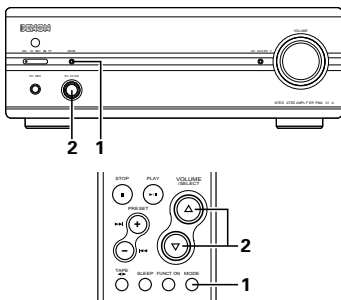
- Drücken Sie die MODE-Taste, um "LOUDNESS" anzeigen zu lassen.
- 
- (Haupteinheit) (Fernbedienung)
- 1**
 - Der Modus wechselt bei jeder Tastenbetätigung wie links angezeigt.
 - * "LOUDNESS" kann nicht eingestellt werden, wenn der Quellen-Direkt betrieb aktiviert ist.

- Drehen Sie entweder den FUNCTION-Wähler auf der Haupteinheit oder verwenden Sie die SELECT-Tasten auf der Fernbedienung.
- 
- (Haupteinheit) (Fernbedienung)
- 2**
 - Um die Höhen oder Tiefen zu erhöhen: Drehen Sie den Wähler im Uhrzeigersinn (↻) oder drücken Sie die Δ-Taste. Um die Höhen oder Tiefen zu verringern: Drehen Sie den Wähler gegen den Uhrzeigersinn (↺) oder drücken Sie die ∇-Taste.
 - Die Tiefen und Höhen können in 2er-Schritten zwischen -12 bis 0 bis auf +12 eingestellt werden. Der Frequenzgang ist bei 0 flach.

- Drehen Sie entweder den FUNCTION-Wähler auf der Haupteinheit oder verwenden Sie die SELECT-Tasten auf der Fernbedienung.
- 
- (Haupteinheit) (Fernbedienung)
- 2**
 - Auf "ON" einstellen: Drehen Sie den Wähler im Uhrzeigersinn (↻) oder drücken Sie die Δ-Taste. Auf "OFF" stellen: Drehen Sie den Wähler gegen den Uhrzeigersinn (↺) oder drücken Sie die ∇-Taste.

Hinweis: Die Tiefen, Höhen und Loudness können zusammen auf maximal +12 erhöht werden. Wenn die Tiefen und Höhen auf beispielsweise +12 eingestellt sind, ändert sich der Ton beim Ein- und Ausschalten der Loudness-Funktion nicht.

[3] Einstellen des Lautsprecherbetriebs



1 Drücken Sie die MODE-Taste, um "SPEAKER" anzeigen zu lassen.

- Der Modus wechselt bei jeder Tastenbetätigung wie links angezeigt.

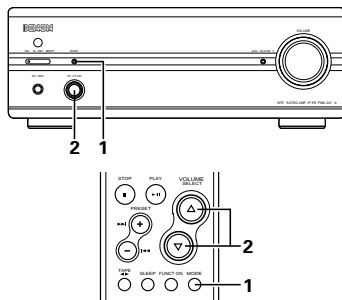
(Haupteinheit) (Fernbedienung)

2 Drehen Sie entweder den FUNCTION-Wähler auf der Haupteinheit oder verwenden Sie die SELECT-Tasten auf der Fernbedienung.

(Haupteinheit) (Fernbedienung)

- Auf "ON" einstellen:
Drehen Sie den Wähler im Uhrzeigersinn (Q) oder drücken Sie die Δ-Taste.
- Auf "OFF" stellen:
Drehen Sie den Wähler gegen den Uhrzeigersinn (Q) oder drücken Sie die ∇-Taste.

[4] Einstellen der Balance



1 Drücken Sie die MODE-Taste, um "BALANCE" anzeigen zu lassen.

(Haupteinheit) (Fernbedienung)

- Der Modus wechselt bei jeder Tastenbetätigung wie links angezeigt.
- * "BALANCE" kann nicht eingestellt werden, wenn der Quellen-Direk betrieb aktiviert ist.

2 Drehen Sie entweder den FUNCTION-Wähler auf der Haupteinheit oder verwenden Sie die SELECT-Tasten auf der Fernbedienung.

(Haupteinheit) (Fernbedienung)

- Wenn die Lautstärke des rechten Lautsprechers niedrig ist:
Drehen Sie den Wähler im Uhrzeigersinn (Q) oder drücken Sie die Δ-Taste.
- Wenn die Lautstärke des linken Lautsprechers niedrig ist:
Drehen Sie den Wähler gegen den Uhrzeigersinn (Q) oder drücken Sie die ∇-Taste.
- Die Balance kann auf "CENTER" gestellt oder innerhalb eines Bereichs von +1 bis +10 in 1er-Schritten eingestellt werden. Wenn "CENTER" eingestellt ist, ist der Lautstärkeunterschied zwischen dem linken und rechten Lautsprecher gleich 0.

9 SYSTEMFUNKTIONEN

- Der Betrieb ist auch dann einfacher, wenn die Komponenten der 201SA-Serie über die Systemanschlüsse an den PMA-201SA angeschlossen werden. (Anleitungen hinsichtlich der Anschlüsse finden Sie im Abschnitt "ANSCHLÜSSE" auf Seite 13, 14.)
- Alle Systemfunktionssignale für den Betrieb der Komponenten der 201SA-Serie werden vom PMA-201SA ausgegeben, stellen Sie deshalb bei der Ausführung von Systemanschlüssen sicher, dass der PMA-201SA angeschlossen wird.
- Die Systemfunktionen arbeiten einwandfrei, wenn Komponenten der 201SA-Serie angeschlossen werden. Sie funktionieren nicht zusammen mit anderen Komponenten.
- Wenn Systemanschlüsse ausgeführt werden, können die unten beschriebenen Systemfunktionen verwendet werden.
 - Mit der dem PMA-201SA beiliegenden Systemfernbedienung (RC-906) können Hauptbedienschritte der anderen Komponenten ausgeführt werden.
 - Die Fernbedienungssignale der anderen Komponenten werden vom Fernbedienungssensor des PMA-201SA empfangen.
 - Autom. Einschaltfunktion:**
Wenn das System sich im Bereitschaftsbetrieb befindet, wird die Stromversorgung automatisch eingeschaltet, sobald die PLAY/PAUSE-Taste (▶ ||) am CD-Player (DCD-201SA), Cassetten Deck (DRR-201SA) und MD-Recorder (DMD-201SA) gedrückt wird, und die Wiedergabe wird gestartet. Außerdem wird die Stromversorgung des Tuners eingeschaltet und das Radioprogramm abgestimmt, wenn eine der Voreinstellungstasten (PRESET UP oder DOWN) am Tuner (TU-201SA) gedrückt wird.
 - Autom. Funktionswahl:**
Die Funktion wechselt automatisch, wenn die PLAY/PAUSE-Taste (▶ ||) am CD-Player (DCD-201SA), Cassetten Deck (DRR-201SA) und MD-Recorder (DMD-201SA) gedrückt wird, und die Wiedergabe wird gestartet.
 - Synchronisierte CD-Aufnahme:**
CDs können mit dem Cassetten Deck (DRR-201SA), MD-Recorder (DMD-201SA) ganz einfach durch Drücken der CD SRS-Taste am Cassetten Deck aufgenommen werden.
 - Simultane Aufnahme:**
Wenn die PLAY/PAUSE-Taste (▶ ||) am CD-Player (DCD-201SA) gedrückt wird, während sich das Cassetten Deck (DRR-201SA), der MD-Recorder (DMD-201SA) im Aufnahmepause-Betrieb befindet, wird die Aufnahme automatisch gestartet.
 - Timer-Funktionen:**
Mit den Timer-Funktionen des Tuners (TU-201SA) können die Wiedergabe oder die Aufnahme von Radioprogrammen ("air check") zu festgelegten Zeiten gestartet werden. Der Sleep-Timer kann ebenfalls verwendet werden.
- Anleitungen hinsichtlich der verschiedenen Betriebsarten können den Bedienungsanleitungen der Komponenten entnommen werden.

10 FEHLERSUCHE

Überprüfen Sie die nachfolgend aufgeführten Punkte, bevor Sie davon ausgehen, daß es sich um eine Gerätestörung handelt.

1. Sind alle Anschlüsse ordnungsgemäß ausgeführt worden ?
2. Wird die Anlage gemäß der Bedienungsanleitung betrieben ?
3. Werden die Lautsprecher und Eingangskomponenten ordnungsgemäß betrieben ?

Wenn die Anlage nicht ordnungsgemäß zu arbeiten scheint, überprüfen Sie zunächst die nachfolgend aufgeführten Punkte. Läßt sich die Störung dennoch nicht beheben, schalten Sie sofort den Strom aus und kontaktieren Sie Ihren Händler.

Symptom	Ursache	Abhilfe	Seite
Das POWER LED leuchtet nicht und es wird kein Ton ausgegeben, wenn der P O W E R - S c h a l t e r eingeschaltet wird.	• Das Netzkabel ist nicht angeschlossen worden.	• Überprüfen Sie den Anschluß des Netzkabels.	13, 15
POWER LED leuchtet, aber es ist kein Ton zu hören.	• Die Lautsprecherkabel sind falsch angeschlossen worden. • Der Eingangswähler (INPUT SELECTOR) wurde nicht auf die richtige Position gestellt. • Der Lautstärke-Regler (VOLUME) wurde heruntergedreht.	• Schließen Sie die Kabel fest an. • Stellen Sie den Eingangswähler (INPUT SELECTOR) auf die richtige Position. • Stellen Sie die Lautstärke auf einen geeigneten Pegel ein.	13, 14 17 17
Der Ton wird nur von einer Seite produziert.	• Die Lautsprecherkabel sind falsch angeschlossen worden. • Die Eingangskabel sind falsch angeschlossen worden. • Die Balance zwischen dem linken und rechten Kanal ist nicht richtig eingestellt.	• Schließen Sie die Kabel fest an. • Schließen Sie die Kabel fest an. • Stellen Sie den Balance-Regler (BALANCE) ein.	14 13 18
Der Lautstärkepegel ist beim Anhören eines Rundfunkprogramms anders als beim Anhören von Schallplatten.	• Die Tuner- und Plattenspielerausgänge sind unterschiedlich.	• Stellen Sie den Tuner-Ausgang entsprechend des Plattenspieler-Ausgangs ein (wenn der Tuner mit einem Ausgangsregler ausgestattet ist).	—
Die Positionen der Instrumente sind bei Stereo-Tonquellen umgedreht.	• Der linke und rechte Lautsprecher oder die Eingangskabel sind umgedreht.	• Überprüfen Sie die linken/rechten Anschlüsse.	13, 14
Während des Abspielens von Schallplatten ist ein Dröhnen zu hören.	• Das Erdungskabel des Plattenspielers ist nicht angeschlossen worden. • Die Eingangskabel sind nicht richtig an die PHONO Buchsen angeschlossen worden. • Beeinträchtigung durch ein Fernsehgerät oder durch ein anderes elektronisches Gerät in der Nähe des Plattenspielers.	• Schließen Sie das Erdungskabel fest an. • Schließen Sie die Kabel fest an. • Ändern Sie den Aufstellort.	13 13 —
Während des Abspielens von Schallplatten tritt beim Erhöhen der Lautstärke Rückkopplungsgeräusche auf.	• Der Plattenspieler und die Lautsprechersysteme sind zu dicht zueinander aufgestellt worden. • Der Fußboden ist weich und vibriert leicht.	• Stellen Sie die Lautsprecher so weit wie möglich vom Plattenspieler entfernt auf. • Verwenden Sie Puffer, um die vom Fußboden zu den Lautsprechern übertragenen Vibrationen aufzufangen. Verwenden Sie im Handel erhältliche Audio-Isolatoren, wenn der Plattenspieler nicht mit Isolatoren ausgestattet ist.	— —
Der Ton ist verzerrt.	• Der Nadeldruck ist zu gering. • Die Nadelspitze ist verschmutzt. • Der Tonabnehmer ist defekt.	• Fügen Sie den richtigen Druck hinzu. • Überprüfen Sie die Nadelspitze. • Tauschen Sie den Tonabnehmer aus.	— — —
Dieses Gerät funktioniert nicht bei Anwendung des Fernbedienungsgerätes nicht einwandfrei.	• Die Batterien sind leer. • Die Entfernung zwischen dem Fernbedienungsgerät und diesem Gerät ist zu groß.	• Legen Sie neue Batterien ein.	15
		• Gehen Sie dichter an den Receiver heran.	16
	• Zwischen diesem Gerät und dem Fernbedienungsgerät befinden sich Hindernisse. • Es wurde eine andere Taste gedrückt. • Die Batterie-Enden ⊕ und ⊖ wurden falsch herum eingelegt.	• Beseitigen Sie das Hindernis.	16
		• Drücken Sie die richtige Taste. • Legen Sie die Batterien richtig ein.	16 15

11 TECHNISCHE DATEN

LEISTUNGSLEISTUNG VERSTÄRKER

Nenn-Ausgangsleistung:

50 W + 50 W (an 4 Ω/Ohm, DIN, 1 kHz, T.H.D. 0,7%)
4 bis 16Ω/ohm

Ausgangsanschlüsse:

VORVERSTÄRKER

Nenn-Ausgangsleistung:

150 mV (Aufnahme-Ausgangsbuchse)

Eingangsempfindlichkeit/

PHONO: 2,5 mV/47 kΩ/kOhm

Eingangsimpedanz:

CD, TUNER, DVD/AUX, 100 mV/16 kΩ/kOhm

TAPE, MD, AUX-2: 100 mV/16 kΩ/kOhm

PHONO: 20 Hz – 20 kHz ±0,5 dB

Abweichung von der RIAA-Kennlinie:

GESAMTEIGENSCHAFTEN

Signal/Rauschabstand (IHF-A-Weiche):

PHONO: 80 dB (bei einem 5 mV-Eingang) (Eingänge kurzgeschlossen)

CD, TUNER, DVD/AUX, 110 W

TAPE, MD, AUX-2: 102 dB (SOURCE DIRECT: ON)

5 Hz – 100 kHz : +0, -3 dB (SOURCE DIRECT: ON)

TIEFEN (BASS): 100 Hz ±8 dB

HÖHEN (TREBLE): 10 kHz ±8 dB

LAUTSTÄRKE (LOUDNESS): 100 Hz +6 dB

10 kHz +4 dB

SONSTIGES

Netzspannung und-frequenz:

230 V Wechselstrom, 50 Hz

Leistungsaufnahme:

110 W

(Ca. 1 W im Bereitschaftsbetrieb)

250 (B) X 90 (H) X 371 (T) mm

Abmessungen:

6,0 kg

Gewicht:

FERNBEDIENUNGSGERÄT (RC-906)

Fernbedienungsgerät:

Infrarot-Impulssystem

Stromversorgung:

3 V Gleichstrom, zwei R03 ("AAA")

Trockenbatterien

48 (B) X 210 (H) X 29 (T) mm

120 g

(einschließlich Batterien)

* Die Abmessungen schließen Regler, Buchsen und Abdeckungen mit ein.

(B) = Breite, (H) = Höhe, (T) = Tiefe

• Änderungen der technischen Daten und Funktion zum Zwecke der Verbesserung ohne Ankündigung vorbehalten.


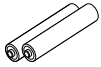
FRANCAIS

TABLE DES MATIERES

1	CARACTERISTIQUES	20	7	TELECOMMANDE DE SYSTEME	23, 24
2	AVANT L'UTILISATION	20	8	OPERATION	25, 26
3	PRECAUTIONS D'INSTALLATION	20	9	FONCTIONS DE SYSTEME	26
4	PRECAUTIONS DE MANIPULATION	20	10	LOCALISATION DES PANNES	27
5	CONNEXIONS	21, 22	11	SPECIFICATIONS	27
6	APPELLATION DES PIECES ET FONCTIONS	23			

ACCESSORIES

Vérifier que les articles suivants sont inclus dans le carton en plus de l'unité principale:

① Télécommande (RC-906)	1		②	
② Piles R03/AAA	2			
③ Mode d'emploi	1			
④ Liste des centres d'entretien	1			

1 CARACTERISTIQUES

1. Circuit de sortie HC-TR pour subtilité et puissance

Un circuit symétrique unique utilisant un HC-TR (transistor haute intensité) basé sur les mêmes principes que le UHC-MOS utilisé dans le POA-S1, l'amplificateur de puissance monaurale de qualité supérieure de DENON, atteint une alimentation haute intensité stable et une excellente linéarité de signaux faible niveau. Le résultat est un niveau très élevé de subtilité et de puissance.

2. Un fort circuit de puissance supportant les compétences expressives du circuit de sortie HC-TR

Le fort circuit de puissance comprenant des diodes de redresseur haute vitesse et de larges condensateurs bloc de qualité sonore élevée permettent au circuit de sortie de transistor HC d'être utilisé à son meilleur potentiel.

3. S.L.D.C.

Le PMA-201SA utilise une construction divisée de niveau de signaux (S.L.D.C.) avec une séparation idéale des différents circuits (circuit de signaux faible niveau, circuit de signaux niveau élevé, circuit de microprocesseur, etc.)

4. Fonction de source directe pour une qualité sonore améliorée

Le PMA-201SA est équipé d'une fonction de source directe qui contourne les circuits de commande de basses, d'aiguës, de puissance sonore et d'équilibre pour atteindre un chemin de signal unique, contribuant à garder le son pur.

5. Unité de télécommande de système

Le PMA-201SA est livré avec une unité de télécommande de système qui peut être utilisée pour contrôler les différents composants de la série 201SA (lecteur de CD, enregistreur de MD, enregistreur de CD, platine-cassette et tuner, uniquement lorsque des connexions de système sont utilisées).

6. Faible consommation électrique en attente

La consommation électrique lorsque l'alimentation est en mode d'attente est réduite à 1 W ou moins.

2 AVANT L'UTILISATION

Faire attention aux points suivants avant d'utiliser cet appareil:

• Déplacement de l'appareil

Pour éviter des court-circuits ou des fils endommagés dans les câbles de connexion, toujours débrancher le cordon d'alimentation, et déconnecter les câbles de connexion entre tous les autres composants audio lors du déplacement de l'appareil.

• Avant de mettre sous tension

Vérifier une nouvelle fois si toutes les connexions sont bonnes et s'il n'y a pas de problèmes avec les câbles de connexion. Toujours placer l'interrupteur de mise sous tension en position d'attente avant de connecter et de déconnecter les câbles de connexion.

• Ranger ces instructions dans un endroit sûr.

Après les avoir lues, ranger ces instructions en même temps que la garantie dans un endroit sûr.

• Noter que les illustrations de ces instructions peuvent varier de l'appareil actuel dans un but d'explication.

3 PRECAUTIONS D'INSTALLATION

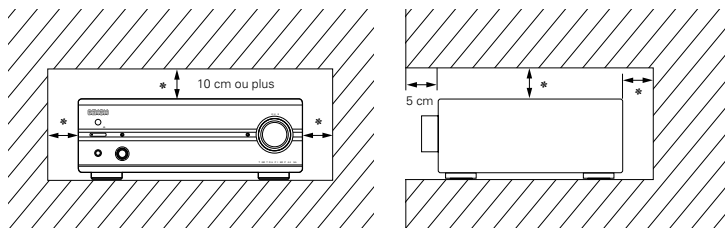
L'utilisation simultanée de cet appareil ou d'autres appareils électroacoustiques à microprocesseur avec un tuner ou un téléviseur peut produire des parasites dans le son ou l'image.

Si cela se produit, prendre les mesures suivantes:

- Installer cet appareil aussi loin que possible du tuner ou du téléviseur.
- Eloigner les câbles d'antenne du tuner ou du téléviseur aussi loin que possible du cordon d'alimentation et des câbles de connexion d'entrée/sortie de cet appareil.

Ce problème est fréquemment rencontré lors de l'utilisation d'antennes intérieures ou de câbles d'arrivée de 300 Ω/ohms. **L'utilisation d'antennes extérieures et de câbles coaxiaux de 75 Ω/ohms est recommandée.**

Pour permettre la dissipation de la chaleur, laisser un espace d'au moins 10 cm entre le haut, l'arrière et les flancs de cet appareil et le mur ou d'autres composants.



4 PRECAUTIONS DE MANIPULATION

• Commutation de la fonction d'entrée lorsque les prises d'entrée ne sont pas connectées

Un dé clic peut être produit si la fonction d'entrée est commutée lorsque rien n'est connecté aux prises d'entrée. Dans ce cas, baisser la commande MASTER VOLUME (volume de la gamme entière) ou connecter des composants aux prises d'entrée.

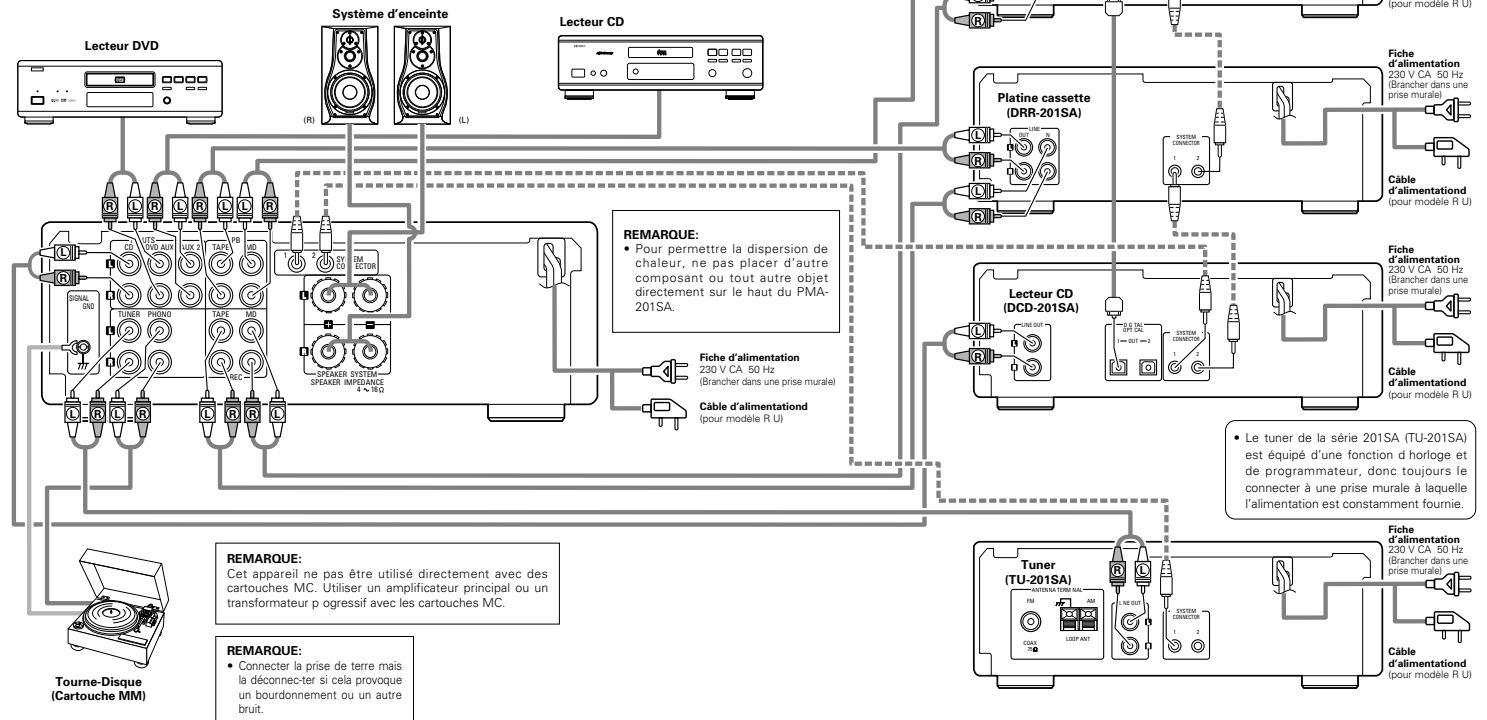
Toujours débrancher le câble pour aller, par exemple, en vacances.

5 CONNEXIONS

- En cas de connexion, se reporter aux manuels des autres composants.
- En cas de connexion à la série 201SA, faire les connexions de système indiquées par des pointillés sur le diagramme ci-dessous.
- Le PMA-201SA n'est pas équipé de cordons de raccordement. Utiliser les cordons de raccordement inclus avec les composants connectés au PMA-201SA.

REMARQUES:

- Ne pas brancher le cordon d'alimentation avant d'avoir terminé toutes les connexions.
- Toujours connecter correctement les canaux de gauche et de droite (gauche avec la gauche et droite avec la droite).
- Insérer fermement les fiches. Des connexions incomplètes peuvent générer des parasites.
- Remarque que le groupement de cordons à fiches à broche avec des cordons d'alimentation, ou le fait de les placer près d'un transformateur provoque un bouillonnement ou un autre bruit.
- Les bornes d'entrée PHONO ont une très grande sensibilité, par conséquent, éviter d'augmenter le volume, lorsqu'aucun cordon à fiche à broche n'est connecté. Sinon, un ronflement se produit (bruit sourd) aux enceintes.
- Le son d'un autre composant peut être entendu si aucun composant n'est connecté aux prises d'entrée de la fonction sélectionnée avec le sélecteur FUNCTION.



REMARQUE:
 • Pour permettre la dispersion de chaleur, ne pas placer d'autre composant ou tout autre objet directement sur le haut du PMA-201SA.

Fiche d'alimentation
 230 V CA 50 Hz
 (Brancher dans une prise murale)

Câble d'alimentation
 (pour modèle R U)

REMARQUE:
 Cet appareil ne pas être utilisé directement avec des cartouches MC. Utiliser un amplificateur principal ou un transformateur progressif avec les cartouches MC.

REMARQUE:
 • Connecter la prise de terre mais la déconnecter si cela provoque un bourdonnement ou un autre bruit.

• Lors de connexions de système avec la série 201SA, connecter le cordon de système au connecteur de système du PMA-201SA (1 ou 2). De même, interconnecter de la même manière les composants de l'autre système.
 (Les connexions de système sont indiquées par des pointillés sur le diagramme)

Fiche d'alimentation
 230 V CA 50 Hz
 (Brancher dans une prise murale)

Câble d'alimentation
 (pour modèle R U)

Fiche d'alimentation
 230 V CA 50 Hz
 (Brancher dans une prise murale)

Câble d'alimentation
 (pour modèle R U)

Fiche d'alimentation
 230 V CA 50 Hz
 (Brancher dans une prise murale)

Câble d'alimentation
 (pour modèle R U)

• Le tuner de la série 201SA (TU-201SA) est équipé d'une fonction d'horloge et de programmeur, donc toujours le connecter à une prise murale à laquelle l'alimentation est constamment fournie.

Fiche d'alimentation
 230 V CA 50 Hz
 (Brancher dans une prise murale)

Câble d'alimentation
 (pour modèle R U)

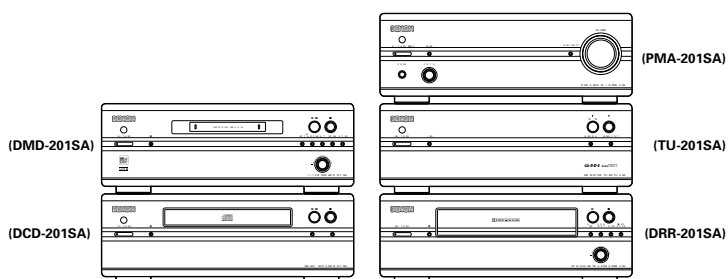
FRANCAIS

Opérations du système

- Les opérations de système telles que les fonctions d'enregistrement/lecture avec programmateur et de mise sous tension automatique ne peuvent être utilisées que si les câbles audio stéréo et de système sont connectés entre tous les composants de système. Toujours bien connecter tous les câbles de raccordement entre toutes les unités.
- La déconnexion d'un câble de système pendant l'opération de système peut entraîner un mauvais fonctionnement. Toujours débrancher les câbles d'alimentation avant de changer les connexions.

Installation de système recommandée

- Pour garantir performances et stabilité, installer le système (série 201SA) de la manière indiquée ci-dessous.



- * Ne pas placer d'autre composant directement sur le haut du PMA-201SA. Pour permettre la dispersion de chaleur, laisser un espace d'au moins 10 cm au-dessus du PMA-201SA de manière à ne pas obstruer ses trous d'aération.
- * Pour la stabilité, ne pas empiler plus de trois composants l'un sur l'autre.

Connexions du système d'enceintes

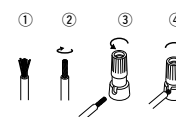
Impédance des haut-parleurs

Utiliser des systèmes de haut parleurs ayant une impédance de 4 à 16 Ω /ohms.

- Noter que l'utilisation de haut parleurs ayant d'autres impédances activera le circuit protecteur et peut entraîner des dommages.

Connexion des cordons d'enceinte

- ① Décaper la gaine de l'extrémité du cordon.
- ② Torsader les fils des cordons.
- ③ Tourner la borne d'enceinte dans le sens contraire des aiguilles d'une montre pour le desserrer.
- ④ Insérer les fils d'enceinte jusqu'au bout, ensuite tourner la borne dans le sens des aiguilles d'une montre pour la serrer.



- Ⓢ S'assurer de connecter les cordons entre les bornes d'enceinte et les systèmes d'enceinte en respectant les polarités (+ avec + et - avec -). Sinon, le son central sera faible et la position des différents instruments ne sera pas claire, et l'effet stéréo sera réduit.

- Ⓢ Lors de la connexion des enceintes, s'assurer que l'âme des fils des cordons d'enceinte ne sort pas et ne touche pas d'autres bornes, ou le panneau arrière.

REMARQUE:

- NE JAMAIS toucher les bornes d'enceinte lorsque l'ampli est sous tension, sinon des décharges électriques risquent de se produire.

Circuit de protection

Cet appareil est équipé d'un circuit de protection de grande vitesse. Ce circuit protège le circuit interne contre les dommages provoqués par des courants forts qui passent lorsque les bornes d'enceinte ne sont pas complètement connectées ou quand une sortie est générée par un court-circuit. Ce circuit de protection coupe la sortie vers les enceintes. Dans un tel cas, s'assurer de mettre l'appareil hors circuit et de vérifier les connexions aux enceintes. Puis remettre l'appareil sous tension. Après une silence de quelques secondes, l'appareil fonctionne normalement.

6 APPELLATION DES PIÈCES ET FONCTIONS

(1) Panneau Avant

1 Touche d'alimentation (ON/STANDBY OFF)

- Lorsqu'enfoncée et réglée à la position "ON", l'alimentation est mise, et le témoin et l'affichage s'allument. Le son est mis en sourdine pendant plusieurs secondes après la mise sous tension.
- Lorsqu'enfoncée une nouvelle fois et réglée à la position "OFF", l'alimentation est coupée.
- La couleur du témoin change en fonction du mode, comme suit:

Commutateur d'alimentation de l'unité principale	Mode de l'unité principale	LED
ON (ON)	Ma che	Allumé (vert)
	Sou dîne	Clignote (vert)
	Veille	Allumé (orange)
OFF (OFF)		Eteint

* Le mode de sourdine est activé pendant quelques secondes lorsque l'interrupteur de l'appareil principal est actionné sur ON (ON) ou lorsque le mode de veille est annulé grâce à la télécommande.

Le voyant LED clignote en rouge pendant la période de mode de sourdine, puis s'arrête de clignoter et reste allumé, une fois que l'appareil est utilisable.

* Si le témoin clignote en orange (rapidement):

Le circuit de protection est activé. Dans ce cas, placer la touche d'alimentation à la position "OFF" pour éteindre le témoin, puis vérifier les bornes d'entrée et de sortie sur le panneau arrière.

Vérifier en particulier si les cordons de haut-parleurs sont en court-circuit. Une fois toutes les connexions corrigées, remettre sous tension. Attendez au moins 10 secondes après la mise hors tension avant de la remettre.)

- Lorsque le PMA-201SA est connecté en un système avec la série 201SA, sa touche d'alimentation fonctionne comme touche d'alimentation de tout le système. À la mise sous tension du PMA-201SA, toutes les unités de système connectées sont également mises sous tension.

* L'alimentation est fournie au PMA-201SA, même lorsqu'elle est en mode d'attente (faible consommation électrique).

2 PHONES (Prise casque)

- Connectez un casque (vendu séparément) à cette prise pour une écoute individuelle.
- Lorsque la fiche de casque d'écoute est insérée dans la prise, la sortie de haut-parleur est automatiquement coupée, et aucun son n'est délivré par les haut-parleurs.

3 REMOTE SENSOR (Détecteur de télécommande)

Ce détecteur reçoit le rayon infrarouge émis par l'unité de télécommande sans fil. Pour une utilisation par télécommande, pointer l'unité de télécommande sans fil vers le détecteur.

4 Bouton fonction (FUNCTION)

- Permet de changer la fonction source. Également utilisé pour activer les modes sélectionnés avec la touche mode. (Voir les pages 25 à 26.)

5 Touche de mode (MODE)

- Utiliser cette touche pour régler le niveau des basses, des aigus et d'équi libre. (Se reporter à la page 25, 26.)
- Utiliser cette touche pour activer ou désactiver la fonction de correction physiologique (Se reporter à la page 25.)
- Utiliser cette touche pour régler le système de haut-parleurs. (Se reporter à la page 26.)

6 Affichage

Se reporter à la page 23.

7 SOURCE DIRECT

(Commutateur de source directe)

Les commandes BASS (graves), TREBLE (aigus), LOUDNESS (commutateur de sonorité) et BALANCE (balance) peuvent être utilisées lorsque ce commutateur est en position OFF.

Lorsqu'il est en position ON, les commandes ci-dessus sont contournées et les signaux sont entrés directement dans le circuit de commande de volume, créant un son de haut qualité.

8 VOLUME (Contrôle de volume)

- Ce contrôle permet d'ajuster le niveau sonore des deux canaux à la fois. Tournez le contrôle dans le sens des aiguilles d'une montre pour augmenter le volume, et dans le sens inverse pour le diminuer.

(2) Panneau Arrière

9 SIGNAL GND (Borne de masse)

- Connecter le fil de masse de la platine tourne-disque à cette borne.

REMARQUE:

- Cette borne est utilisée pour réduire le bruit lorsqu'une platine tourne-disque etc., est connectée. Elle n'assure pas une mise à la terre complète.

10 Bornes INPUT (INPUTS)

Ce sont des bornes d'entrée du lecteur de CD, de la platine, du tuner, du DVD ou d'autres composants de lecture.

- AUX-2:** Utiliser pour connecter une platine vidéo ou d'autres composants.

11 Bornes TAPE et MD RC (REC)

- Bornes d'enregistrement (REC)
- Ce sont des prises de sortie pour l'enregistrement.
- TAPE:** Utiliser pour connecter une platine cassette.
- MD:** Utiliser pour connecter un enregistreur de MD.

12 POWER SUPPLY CORD (Cordon Secteur)

- Brancher le cordon dans une prise secteur murale.

15 Bornes TAPE et MD PLAY (PB)

- Bornes de lecture (PB)

16 Bornes SPEAKER SYSTEMS (système d'enceinte)

- Connecter les systèmes d'enceinte à ces bornes.

14 Connecteurs de système (SYSTEM CONNECTOR 1 et 2)

- En cas de connexion de la série 201SA dans un système, connecter ces connecteurs aux connecteurs de système situés sur les autres composants de système. (Utiliser les cordons de système compris avec les autres composants.)

(3) Affichage

16 Section d'affichage principal

- La fonction, la source de programme d'entrée, etc. sont affichées ici.
- Pendant l'opération normale, la source de programme d'entrée est affichée.
- Lorsque la touche de mode est enfoncée, l'affichage change pour indiquer les diverses fonctions.

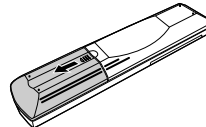
7 TELECOMMANDE DE SYSTEME

- L'unité de télécommande (RC-906) comprise peut être utilisée pour effectuer les principales opérations des unités de la série 201SA qui sont connectées avec des connexions de système. D'autres composants ne peuvent pas être actionnés avec cette unité de télécommande.

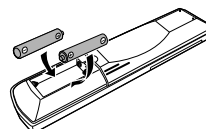
Noter que certaines fonctions peuvent ne pas fonctionner avec des unités de télécommande. Dans ce cas, utiliser l'unité de télécommande comprise avec le composant.

(1) Insertion des piles

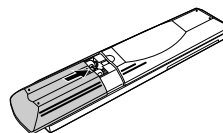
- Déposer le couvercle arrière de l'unité de télécommande.



- Placer les deux piles R03/AAA dans le compartiment à piles dans la direction indiquée.



- Remettre le couvercle arrière en place.

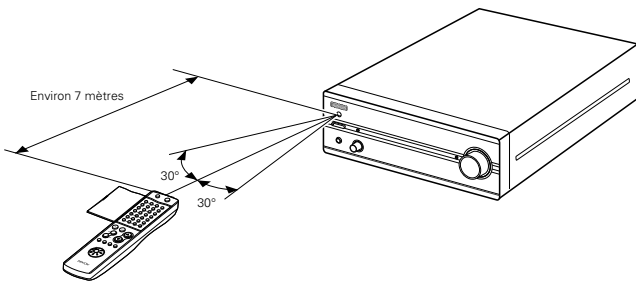


Remarques sur les piles

- Utiliser des piles R03/AAA dans l'unité de télécommande.
- Les piles doivent être remplacées par des neuves approximativement une fois par an, bien que cela dépende de la fréquence d'utilisation.
- Même si moins d'un an s'est écoulé, remplacer les piles par des neuves si l'appareil ne fonctionne pas lorsque l'unité de télécommande est actionnée à proximité. (La pile fournie ne sert que pour la vérification du fonctionnement. La remplacer par une neuve le plus tôt possible.)
- Lors de l'insertion des piles, toujours procéder dans la bonne direction, en suivant les marques "+" et "-" du compartiment à piles.
- Pour éviter des dommages ou une fuite du liquide de pile:
 - Ne pas utiliser de pile neuve avec une ancienne.
 - Ne pas utiliser deux types de pile différents.
 - Ne pas court-circuiter, démonter, chauffer ou jeter les piles dans des flammes.
- Enlever les piles de l'unité de télécommande chaque fois que vous prévoyez de ne pas l'utiliser pendant une longue durée.
- Si le liquide de pile devait fuir, essuyer soigneusement le liquide de l'intérieur du compartiment à piles, et insérer de nouvelles piles.

FRANCAIS

(2) Fernbedienungsbetrieb



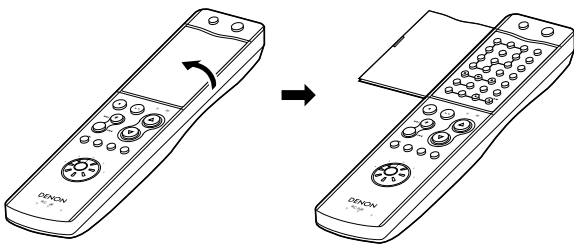
REMARQUES:

- Il peut être difficile d'actionner l'unité de télécommande si le capteur de télécommande est exposé aux rayons directs du soleil ou à une forte lumière artificielle.
- Ne pas appuyer simultanément sur les touches de l'unité principale et de l'unité de télécommande pour ne pas entraîner de mauvais fonctionnement.
- Des enseignes au néon ou autres appareils qui génèrent des parasites de type impulsionnel peuvent entraîner des erreurs de fonctionnement, par conséquent, garder l'appareil aussi loin que possible de tels tubes au néon.

- Diriger l'unité de télécommande vers le capteur de télécommande situé sur l'unité principale de la manière indiquée dans le diagramme.
- L'unité de télécommande peut être utilisée d'une distance droite d'environ 7 mètres de l'unité principale, mais cette distance sera raccourcie s'il y a un obstacle dans le chemin ou si l'unité de télécommande n'est pas directement pointée vers le capteur de télécommande.
- L'unité de télécommande peut être actionnée à un angle horizontal d'un maximum de 30 degrés par rapport au capteur de télécommande.

(3) Désignations et fonctions des touches de l'unité de télécommande de système

■ Ouverture du couvercle de l'unité de télécommande



- Les touches non décrites ici fonctionnent de la même manière que l'unité de télécommande sur l'unité principale.

Touche d'attente d'alimentation (ATTENTE D'ALIMENTATION DE SYSTEME)

Appuyer sur cette touche pour régler l'alimentation du PMA-201SA au mode d'attente. (Lorsque connecté à un système avec la série 201SA, cette touche règle l'alimentation de tout le système au mode d'attente.)

Touche de mise sous tension (MISE SOUS TENSION DE SYSTEME)

Lorsque cette touche est enfoncée alors que l'alimentation du PMA-201SA est en mode d'attente, le PMA-201SA est mis sous tension. (Lorsque connecté à un système avec la série 201SA, cette touche met tout le système sous tension.)

Bloc d'opérations de fonctions de la série 201SA

Lorsque connecté à un système avec la série 201SA, ces touches sont utilisées pour actionner les divers composants de système connectés. Pour les instructions d'utilisation, se reporter aux manuels des divers composants.

Touche DIMMER

Utiliser cette fonction pour modifier la luminosité de l'affichage. La luminosité de l'affichage change en quatre paliers (clair, moyen, sombre et éteint) en appuyant sur la touche DIMMER de la télécommande.

Touche de fonction (FUNCTION)

Appuyer sur cette touche pour sélectionner la sou ce de fonction à jouer. La fonction change dans l'ordre suivant à chaque fois que la touche est enfoncée:

CD → TUNER → DVD/AUX
MD → TAPE → AUX 2 → PINON

Touches de volume/sélection (VOLUME/SELECT)

- Appuyer sur Δ pour augmenter le volume, ∇ pour le réduire.
- Ces touches sont également utilisées pour régler les divers modes.

Touche MODE

Sélecteur de fonction de télécommande

Utiliser cette touche pour sélectionner la fonction à utiliser avec cette unité de télécommande. Pour les instructions d'utilisation sur l'utilisation des divers composants, se reporter à leurs manuels respectifs.

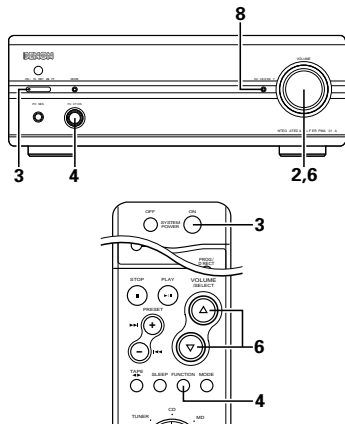
Modèles compatibles avec la télécommande de système

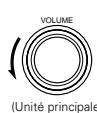
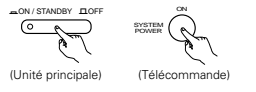
- Pré-amplificateur principal : PMA-201SA
- Tuner : TU-201SA
- Lecteur de CD : DCD-201SA
- Platine-cassette : DRR-201SA
- Enregistreur de MD : DMD-201SA

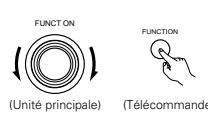
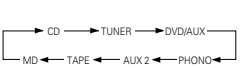
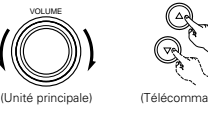

24

8 OPERATION

(1) Enregistrement

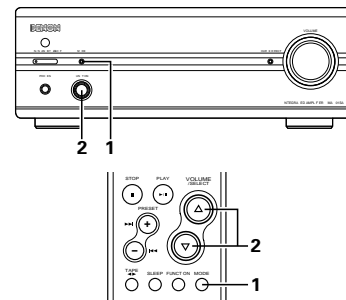


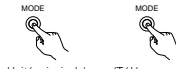
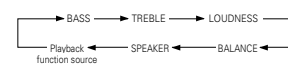

1	Vérifier que toutes les connexions sont bonnes.
2	Drehen Sie den Lautstärkeregler u entgegen den Uhrzeigersinn auf (0) die Minimum-Position.  (Unité principale)
3	Allumer l'alimentation. <ul style="list-style-type: none"> Le témoin clignote d'abo d en ouge, puis change au vert et s'arrête de clignoter (reste allumé).  (Unité principale) (Télécommande) <ul style="list-style-type: none"> Mode de mise sous tension/attente et mémoire de fonction Lorsque l'unité de télécommande est utilisée pour mettre le PMA-201SA sous tension à partir du mode d'attente, la fonction est réglée à la fonction qui était sélectionnée lorsque l'alimentation a été réglée en dernier au mode d'attente. dernière fonction en mémoire Si la fonction a été effacée de la mémoire, la fonction est réglée à "CD" à la mise sous tension du PMA-201SA.

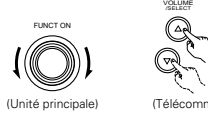
4	Tourner la molette FUNCTION située sur l'unité principale ou appuyer sur la touche de fonction (FUNCTION) de l'unité de télécommande pour sélectionner la source de fonction à jouer. <ul style="list-style-type: none"> La fonction change dans l'ordre indiqué ci-dessous. * La fonction change dans l'ordre opposé lorsque la molette est tournée dans le sens inverse des aiguilles d'une montre (↺).  (Unité principale) (Télécommande) 
5	Commencer la lecture sur le composant sélectionné. <ul style="list-style-type: none"> Pour les instructions d'utilisation, se reporter au manuel du composant.
6	Régler le volume.  (Unité principale) (Télécommande)
7	Ajuster les commande BALANCE, BASS et TREBLE, et régler la position LOUDNESS à la position désirée. <ul style="list-style-type: none"> * Pour les instructions sur le réglage, voir "(2) Réglage des divers modes" à la page 25, 26.
8	Pour utiliser la fonction de source directe: Régler la touche SOURCE DIRECT à la position "ON".  (Unité principale)

(2) Réglage des divers modes

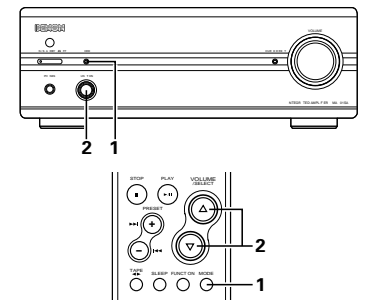
[1] Réglage des basses et des aigus


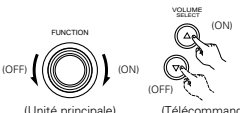


1	Appuyer sur la touche MODE pour afficher le mode à régler ("BASS" ou "TREBLE").  (Unité principale) (Télécommande) <ul style="list-style-type: none"> Le mode change comme suit chaque fois que la touche est enfoncée:  <ul style="list-style-type: none"> * Lorsque le mode de source directe est activé, le mode change de la manière indiquée ci-dessous (les modes de réglage BASS et TREBLE ne peuvent pas être sélectionnés). 
----------	---

2	Tourner la molette FUNCTION située sur l'unité principale ou utiliser les touches de sélection (SELECT) de l'unité de télécommande.  (Unité principale) (Télécommande) <ul style="list-style-type: none"> Pour augmenter les basses ou les aigus: Tourner la molette dans le sens des aiguilles d'une montre (↻) ou appuyer sur la touche Δ. Pour diminuer les basses ou les aigus: Tourner la molette dans le sens inverse des aiguilles d'une montre (↺) ou appuyer sur la touche ∇. Les basses et les aigus peuvent être réglées dans la gamme de -12 à +12 en incréments de 2. La réponse est plate à 0.
----------	---

[2] Réglage du mode de puissance sonore

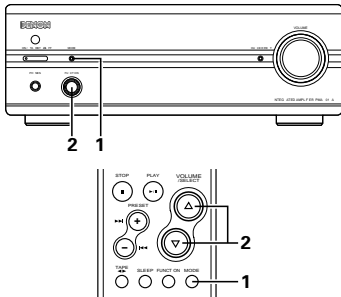


1	Appuyer sur la touche de mode (MODE) pour afficher "LOUDNESS".  (Unité principale) (Télécommande) <ul style="list-style-type: none"> Le mode change de la manière indiquée sur la gauche chaque fois que la touche est enfoncée. * "LOUDNESS" ne peut pas être sélectionné lorsque le mode de sou ce directe est activé.
2	Tourner la molette FUNCTION située sur l'unité principale ou utiliser les touches de sélection (SELECT) de l'unité de télécommande.  (Unité principale) (Télécommande) <ul style="list-style-type: none"> Pour régler à "ON". Tourner la molette dans le sens des aiguilles d'une montre (↻) ou appuyer sur la touche Δ. Pour régler à "OFF". Tourner la molette dans le sens inverse des aiguilles d'une montre (↺) ou appuyer sur la touche ∇.

REMARQUE:
 L'augmentation totale maximum de volume pour les basses, les aigus et la puissance sonore est +12. Si, par exemple, les basses et les aigus sont réglées à +12, le son ne change pas lorsque la fonction de puissance sonore est activée et désactivée.

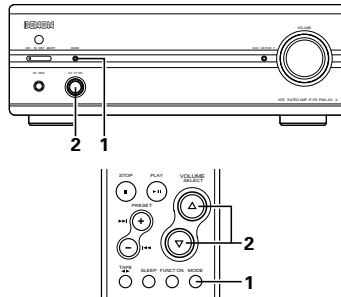
FRANCAIS

[3] Réglage du mode de haut-parleur



1	<p>Appuyer sur la touche de mode (MODE) pour afficher "SPEAKER".</p> <ul style="list-style-type: none"> Le mode change de la manière indiquée sur la gauche chaque fois que la touche est enfoncée. <div style="display: flex; justify-content: space-around;"> <div style="text-align: center;"> (Unité principale) </div> <div style="text-align: center;"> (Télécommande) </div> </div>
2	<p>Tourner la molette FUNCTION située sur l'unité principale ou utiliser les touches de sélection (SELECT) de l'unité de télécommande.</p> <div style="display: flex; justify-content: space-around;"> <div style="text-align: center;"> (Unité principale) </div> <div style="text-align: center;"> (Télécommande) </div> </div> <ul style="list-style-type: none"> Pour régler à "ON". Tourner la molette dans le sens des aiguilles d'une montre (↻) ou appuyer sur la touche Δ. Pour régler à "OFF". Tourner la molette dans le sens inverse des aiguilles d'une montre (↺) ou appuyer sur la touche ∇.

[4] Réglage de l'équilibre



1	<p>Appuyer sur la touche de mode (MODE) pour afficher "BALANCE".</p> <div style="display: flex; justify-content: space-around;"> <div style="text-align: center;"> (Unité principale) </div> <div style="text-align: center;"> (Télécommande) </div> </div> <ul style="list-style-type: none"> Le mode change de la manière indiquée sur la gauche chaque fois que la touche est enfoncée. <p>* "BALANCE" ne peut pas être sélectionné lorsque le mode de source directe est activé.</p>
2	<p>Tourner la molette FUNCTION située sur l'unité principale ou utiliser les touches de sélection (SELECT) de l'unité de télécommande.</p> <div style="display: flex; justify-content: space-around;"> <div style="text-align: center;"> (Unité principale) </div> <div style="text-align: center;"> (Télécommande) </div> </div> <ul style="list-style-type: none"> Si le volume du haut-parleur droit est faible: Tourner la molette dans le sens des aiguilles d'une montre (↻) ou appuyer sur la touche Δ. Si le volume du haut-parleur gauche est faible: Tourner la molette dans le sens inverse des aiguilles d'une montre (↺) ou appuyer sur la touche ∇. L'équilibre peut être réglé à "CENTER" ou ajusté dans la gamme de +1 à +10 en incréments de 1. Lorsque réglé à "CENTER", la différence entre le volume des haut-parleurs gauche et droit est 0.

9 FONCTIONS DE SYSTEME

- L'opération est encore plus facile lorsque les composants de la série 201SA sont connectés au PMA-201SA avec des connexions de système. (Pour les instructions sur les connexions, se reporter à "CONNEXIONS" à la page 21, 22.)
- Tous les signaux des fonctions de système pour l'utilisation des composants de la série 201SA sont délivrés par le PMA-201SA, donc toujours connecter le PMA-201SA en faisant des connexions de système.
- Les fonctions de système ne sont opérationnelles que lorsque les composants de la série 201SA sont connectés. Elles ne le sont pas avec d'autres composants.
- Lorsque des connexions de système sont faites, les fonctions de système décrites ci-dessous peuvent être utilisées.
 - (1) L'unité de télécommande (RC-906) comprise avec le PMA-201SA peut être utilisée pour effectuer les principales opérations sur les autres composants.
 - (2) Les signaux de télécommande des autres composants sont reçus par le capteur de télécommande du PMA-201SA.
 - (3) **Fonction de mise sous tension automatique**
Lorsque le système est réglé au mode d'attente, l'alimentation est automatiquement mise lorsque la touche de PLAY/PAUSE (▶ ||) située sur le lecteur de CD (DCD-201SA), la platine-cassette (DRR-201SA) et l'enregistreur de MD (DMD-201SA) est enfoncée, et la lecture commence. En outre, si une des touches de pré-réglage (PRESET UP ou DOWN) du tuner TU-201SA est enfoncée, le tuner est mis sous tension, et le programme de radio capté.
 - (4) **Sélection automatique de fonction**
La fonction change automatiquement lorsque la touche de PLAY/PAUSE (▶ ||) située sur le lecteur de CD (DCD-201SA), la platine-cassette (DRR-201SA) et l'enregistreur de MD (DMD-201SA) est enfoncée, et la lecture commence.
 - (5) **Enregistrement synchronisé de CD**
Des CD peuvent être enregistrés sur la platine-cassette (DRR-201SA), l'enregistreur de MD (DMD-201SA) par une simple pression sur la touche CD SRS de la platine-cassette.
 - (6) **Enregistrement simultané**
Lorsque la touche de PLAY/PAUSE (▶ ||) située sur le lecteur de CD (DCD-201SA) est enfoncée alors que la platine-cassette (DRR-201SA) et l'enregistreur de MD (DMD-201SA) sont réglés au mode de pause à l'enregistrement, l'enregistrement commence automatiquement.
 - (7) **Fonctions de programmeur:**
Les fonctions de programmeur du tuner (TU-201SA) peuvent être utilisées pour démarrer la lecture ou enregistrer des programmes de radio ("Vérification d'air" à des heures fixées. Le programmeur de sommeil peut également être utilisé.
- Pour les instructions sur les diverses opérations, se reporter aux modes d'emploi des composants.

10 LOCALISATION DES PANNES

Vérifier les points suivants avant de constater que l'appareil est en panne:

1. Toutes les connexions sont-elles correctes ?
2. L'appareil est-il utilisé correctement comme décrit dans le mode d'emploi ?
3. Les enceintes et les appareils connectés sont-ils utilisés correctement ?

Si l'appareil ne fonctionne pas correctement, vérifier les points indiqués sur le tableau ci-dessus. S'il n'y a pas de remède, l'appareil a un fonctionnement défectueux. L'éteindre immédiatement et contacter le revendeur.

Symptôme	Cause	Remède	Page
L'indicateur POWER LED ne s'allume pas et aucun son n'est produit lorsque le commutateur POWER est allumé.	<ul style="list-style-type: none"> Le cordon secteur n'est pas branché. 	<ul style="list-style-type: none"> Vérifier si le cordon d'alimentation est branché. 	21, 23
L'indicateur POWER LED s'allume mais aucun son n'est produit.	<ul style="list-style-type: none"> Les cordons d'enceinte ne sont pas correctement connectés. Le sélecteur d'entrée (INPUT SELECTOR) n'est pas placé sur la position appropriée. La commande de VOLUME est tournée trop bas. 	<ul style="list-style-type: none"> Connecter correctement. Placer sur la position appropriée. Placer sur un niveau approprié. 	21, 22 25 25
Le son n'est produit que d'un côté.	<ul style="list-style-type: none"> Les cordons d'enceinte ne sont pas correctement connectés. Les cordons d'entrée ne sont pas correctement connectés. L'équilibre gauche/droit est incorrectement ajusté. 	<ul style="list-style-type: none"> Connecter correctement. Connecter correctement. Ajuster la commande d'équilibre BALANCE. 	22 21 26
Le niveau de volume est différent lors de l'écoute du tuner ou de disques.	<ul style="list-style-type: none"> Les sorties du tuner et des disques sont différentes. 	<ul style="list-style-type: none"> Ajuster la sortie du tuner avec la sortie de la platine tourne-disque (si le tuner est équipé d'une commande de sortie). 	—
Les positions des appareils sont inversées pour les sources stéréo.	<ul style="list-style-type: none"> Les enceintes gauche et droite ou les cordons d'entrée sont inversés. 	<ul style="list-style-type: none"> Vérifier les connexions gauche/droite. 	21, 22
Un son sourd est produit lorsque le volume est augmenté pendant la lecture de disques.	<ul style="list-style-type: none"> Le fil de la platine tourne-disque n'est pas connecté. Les cordons d'entrée ne sont pas correctement connectés aux bornes PHONO. Influence d'une TV ou d'un autre appareil électrique près du tourne-disques. 	<ul style="list-style-type: none"> Connecter correctement. Connecter correctement. Changer la position de l'installation. 	21 21 —
Un hurlement est produit lorsque le volume est augmenté pendant la lecture de disques.	<ul style="list-style-type: none"> La platine tourne-disque et les systèmes d'enceintes sont trop rapprochés. Le sol n'est pas rigide et vibre facilement. 	<ul style="list-style-type: none"> Déplacer les systèmes d'enceinte aussi loin que possible. Utiliser des coussinets pour absorber les vibrations transmises par le sol aux enceintes. Si la platine tourne-disque n'est pas équipée d'isolants, utiliser des isolants audio, disponibles dans le commerce. 	— —
Le son est déformé.	<ul style="list-style-type: none"> La pointe de lecture est trop légère. Pointe de lecture encrassée. Cellule défectueuse. 	<ul style="list-style-type: none"> Appliquer une pression appropriée. Vérifier la pointe de la pointe de lecture. Remplacer la cellule. 	— — —
L'appareil ne fonctionne pas correctement lorsque la télécommande est utilisée.	<ul style="list-style-type: none"> Les piles sont mortes. Télécommande trop loin de l'appareil. Obstacle entre l'appareil et la télécommande. Une autre touche a été enfoncée. Les polarités ⊕ et ⊖ de la batterie sont insérées à l'envers. 	<ul style="list-style-type: none"> Remplacer par des piles neuves. Rapprocher la télécommande. Retirer l'obstacle. Appuyer sur la touche appropriée. Insérer correctement les piles. 	23 24 24 24 23

11 SPECIFICATIONS

■ PARTIE AMPLIFICATEUR DE PUISSANCE

Puissance nominale: 50 W + 50 W (Charge 4 Ω/ohms, DIN, 1 kHz, D.H.T. 0,7%)
4 to 16Ω/ohms

• BORNES DE SORTIE:

• PRE-AMPLI

Puissance nominale: 150 mV (Borne de sortie d'enregistrement)

• SENSIBILITÉ D'ENTRÉE/ IMPÉDANCE D'ENTRÉE:

PHONO: 2,5 mV/47 kΩ/kohms
CD, TUNER, DVD/AUX,
TAPE, MD, AUX-2: 100 mV/16 kΩ/kohms
PHONO: 20 Hz ~ 20 kHz ±0,5 dB

• VARIATION RIAA:

• CARACTERISTIQUES GÉNÉRALES

• Rapport signal/bruit (réseau IHF A):

PHONO: 80 dB (à une entrée de 5 mV) Bornes d'entrée courtci cuitées)
CD, TUNER, DVD/AUX,

TAPE, MD, AUX-2: 102 dB (SOURCE DIRECT: ON)
5 Hz ~ 100 kHz : +0, -3 dB (SOURCE DIRECT: ON)

• Réponse en fréquence:

• Gamme de réglage de tonalité:

GRAVES: 100 Hz ±8 dB
AIGUS: 10 kHz ±8 dB
SONORITE: 100 Hz +6 dB
10 kHz +4 dB

• AUTRES

• Alimentation:

CA 230 V, 50 Hz

• Consommation:

110 W
Approx. 1W en mode veille)
250 (L) X 90 (H) X 371 (P) mm

• Poids:

6,0 kg

• TELECOMMANDE (RC-906)

• Système de télécommande:

Système à impulsion infrarouge

• Alimentation:

3 V CC, Deux piles sèches
de format R03 ("AAA")

• Dimensions extérieures:

48 (L) X 210 (H) X 29 (P) mm
120 g
(avec les piles)

* Les dimensions maximales comprennent les commandes, les prises et les couvercles.
(L) = la largeur, (H) = hauteur, (P) = profondeur

• Les spécifications et les fonctions sont sujettes à modification sans préavis dans un but d'amélioration.


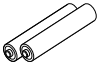
ITALIANO

INDICE

1	CARATTERISTICHE	28	7	CONTROLLO DEL SISTEMA REMOTO	31, 32
2	PRIMA DELL'USO	28	8	FUNZIONAMENTO	33, 34
3	PRECAUZIONI SULL'INSTALLAZIONE	28	9	FUNZIONI DEL SISTEMA	34
4	PRECAUZIONI SUL MANEGGIO	28	10	LOCALIZZAZIONE DEI GUASTI	35
5	COLLEGAMENTI	29, 30	11	SPECIFICHE	35
6	NOMENCLATURA E FUNZIONI	31			

ACCESSORI

Controllate che le seguenti parti siano state incluse insieme all'unità principale:

①	Telecomando (RC-906)	1	①		②	
②	Batterie R03/AAA	2				
③	Manuale delle istruzioni	1				
④	Lista dei centri di assistenza tecnica	1				

1 CARATTERISTICHE

1. Circuito di uscita HC-TR per eleganza e potenza

Un unico circuito push pull che impiega un HC-TR (transistor ad alta tensione) basato sugli stessi principi dell'UHC-MOS usato in POA-S1, l'eccezionale amplificatore DENON di potenza mono, ottiene sia una stabile alimentazione ad alta tensione ed un'eccellente linearità dei segnali a basso livello. Il risultato è un livello estremamente alto di eleganza e potenza.

2. Forti circuiterie di potenza che sono in grado di supportare le capacità espressive del circuito di uscita HC-TR

Le forti circuiterie di potenza composte da diodi di rettificazione ad alta velocità e di condensatori a blocchi per un'alta qualità sonora consentono l'utilizzo dell'intera potenziale del circuito di uscita del transistor HC.

3. S.L.D.C.

Il PMA-201SA utilizza una costruzione S.L.D.C. (costruzione divisa del livello dei segnali) con una separazione ideale dei vari circuiti (circuito del segnale di basso livello, circuito del segnale di alto livello, circuito del mic op ocessore, ecc.)

4. Funzione Source Direct per una migliore qualità sonora

Il PMA-201SA è stato dotato di una funzione di accesso fonte diretto che esclude i circuiti di controllo de bassi, degli acuti, del loudness e del bilanciamento per ottenere una semplice via dei segnali, contribuendo così a mantenere pulito il suono.

5. Telecomando del sistema

Il PMA-201SA è stato dotato di un telecomando completo per il sistema in grado di manovrare i vari componenti della serie 201SA series (lettore CD, registratore MD, registratore CD, registratore a cassette e sintonizzatore, quando usate solo i collegamenti del sistema).

6. Basso consumo corrente nel modo di attesa

Il consumo corrente è ridotto a 1W o meno nel modo di attesa accensione.

2 PRIMA DELL'USO

Fate attenzione ai seguenti punti prima di usare quest'unità:

• Prima di spostare l'apparecchio

Prima di spostare l'apparecchio scollegate sempre il cavo di alimentazione ed i cavi di connessione tra i vari componenti audio per prevenire dei corto circuiti o danni ai cavi di connessione.

• Prima di premere l'interruttore di accensione

Controllate nuovamente che tutti i collegamenti siano giusti e che non ci siano dei problemi con i cavi di connessione. Collocate sempre l'interruttore di accensione nella posizione di attesa prima di collegare e scollegare i cavi di connessione.

• Conservate il manuale delle istruzioni in un luogo sicuro.

Dopo aver letto il manuale, conservatele insieme alla garanzia in un luogo sicuro.

• Osservate che le illustrazioni fornite in questo manuale delle istruzioni possono apparire leggermente diverse rispetto all'apparecchio vero e proprio ai fini di spiegarne meglio le funzioni.

3 PRECAUZIONI SULL'INSTALLAZIONE

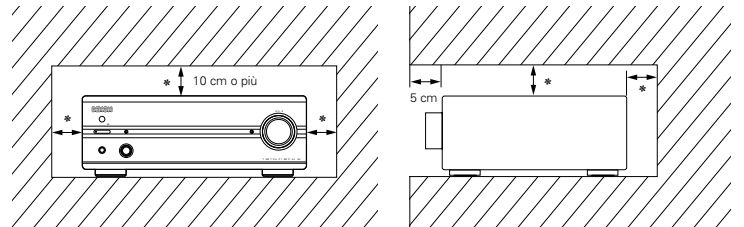
Se usate quest'apparecchio o un altro componente elettronico dotato di microprocessori nella vicinanza di un sintonizzatore o di un televisore, si può generare del rumore o delle interferenze nell'immagine.

In tal caso, procedete come segue:

- Installate l'unità il più lontano possibile dal sintonizzatore o dal televisore.
- Allontanate i fili dell'antenna del sintonizzatore o del televisore dal cavo di alimentazione e dai cavi di collegamento in ingresso/uscita nel 'unità.

Il rumore e le interferenze si generano particolarmente se usate delle antenne interne o dei fili conduttori da 300 Ω/ohm. **Vi raccomandiamo di usare delle antenne esterne e dei cavi coassiali da 75 Ω/ohm.**

Per assicurare una buona dispersione del calore, lasciate uno spazio di almeno 10 cm tra le parti superiore, posteriore e laterali di quest'unità e la parete o gli altri componenti.



4 PRECAUZIONI SUL MANEGGIO

• Commutazione della funzione di ingresso quando le prese di ingresso non sono state collegate

Si può sentire uno scatto se cambiate la funzione di ingresso senza aver collegato un componente alle prese di ingresso. In tal caso, abbassate il controllo MASTER VOLUME oppure collegate dei componenti alle prese di ingresso.

Assicuratevi di scollegare il cavo prima di partire per le vacanze, ecc.

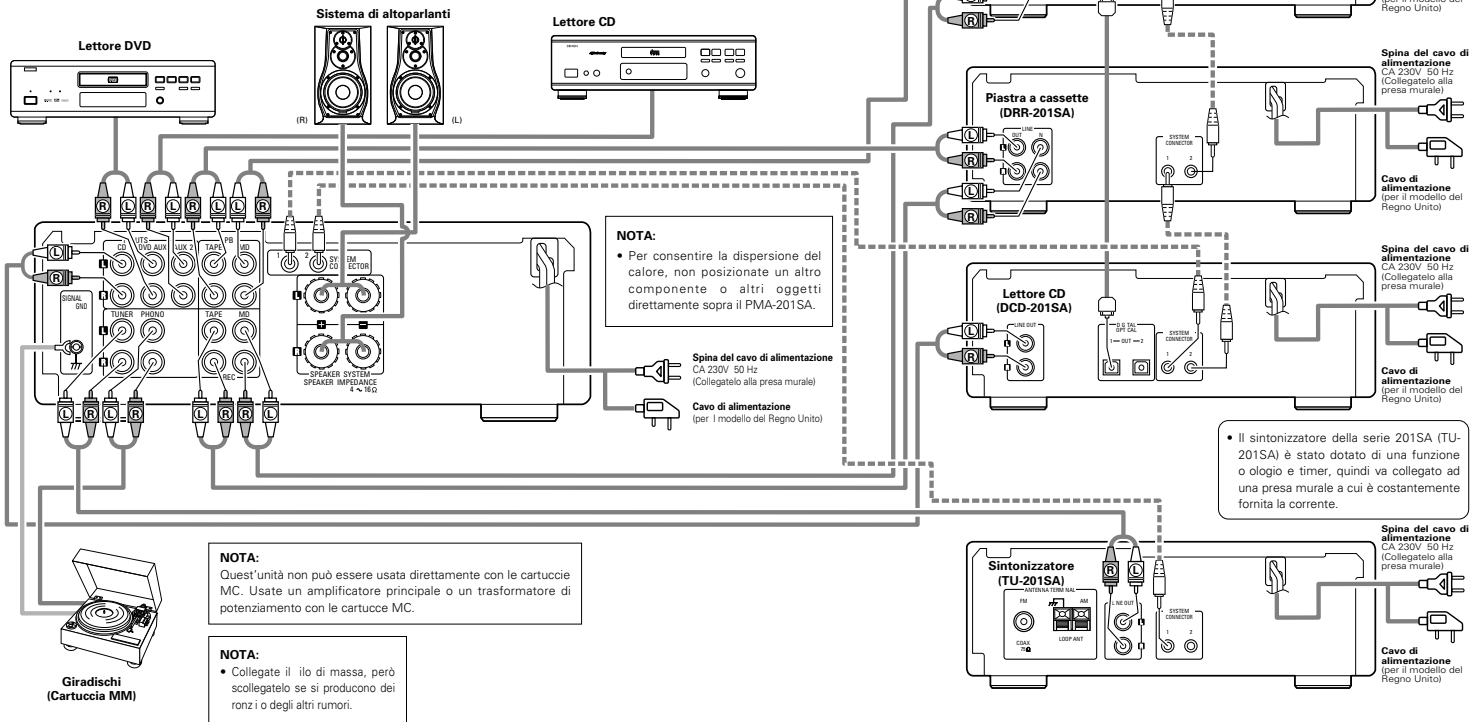
5 COLLEGAMENTI

- Per il collegamento, fate riferimento anche ai manuali degli altri componenti.
- Quando effettuate il collegamento dell'unità ad un componente della serie 201SA, effettuate i collegamenti indicati dalle linee tratteggiate nel diagramma qui sotto.
- Il PMA-201SA non è stato dotato di cavi di connessione. Usate i cavi di connessione in dotazione con i componenti da collegare al modello PMA-201SA.

NOTE:

- Non collegare il cavo di alimentazione prima di aver effettuato tutti i collegamenti.
- Assicurarsi di collegare i canali sinistro e destro correttamente (sinistra a sinistra, destra a destra).
- Inserire le spine in modo ben saldo. Un collegamento incompleto causa la generazione di rumore.
- Osservare che il fissaggio di cavi con la spina pin insieme a cavi di alimentazione oppure l'ubicazione degli stessi nella vicinanza di un trasformatore di potenza causerà la generazione di onzio o altro rumore.
- Le terminali di ingresso PHONO sono estremamente sensibili, quindi evitate di alzare il volume se non sono state collegate con un spinotto. Se si alza il volume si potrebbe sentire un ronzio di induzione (booming) dagli altoparlanti.
- Il suono proveniente di un alt o componente può essere riprodotto se non avete collegato un altro componente alle prese di ingresso della funzione selezionata con il selettore FUNCTION.

- Quando effettuate un collegamento di sistema con componenti della serie 201SA, collegate il cavo del sistema al connettore di sistema PMA-201SA (1 o 2). Effettuate anche l'intero collegamento degli altri componenti del sistema nella stessa maniera. (I collegamenti del sistema sono indicati dalle linee tratteggiate nel diagramma)



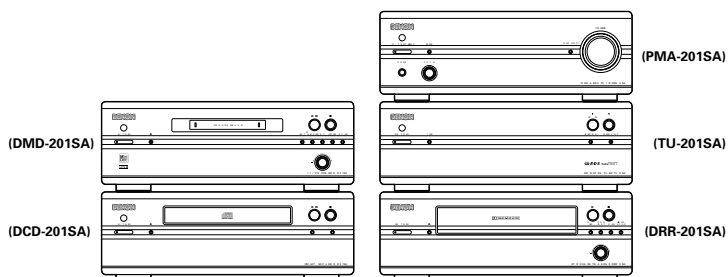
ITALIANO

Operazioni del sistema

- Le operazioni del sistema, ad esempio la registrazione/riproduzione con il timer e la funzione di accensione automatica possono essere usate solo se sono stati collegati i cavi audio stereo ed i cavi del sistema tra tutti i componenti del sistema. Assicuratevi di collegare tutti i cavi di connessione alle unità in modo ben saldo.
- Lo scollegamento del cavo del sistema durante l'uso del sistema può causare malfunzionamenti. Assicuratevi di scollegare i cavi di alimentazione prima di cambiare i collegamenti.

Installazione del sistema raccomandata

- Per assicurare alte prestazioni e la massima stabilità, installate il sistema (serie 201SA) nel seguente modo.



- Non posizionate un altro componente direttamente sopra il PMA-201SA. Per consentire la dispersione del calore, lasciate uno spazio di almeno 10 cm sopra il PMA-201SA per non ostruire i fori di ventilazione dello stesso.
- Per assicurare la stabilità, non impilare più di tre componenti l'uno sopra l'altro.

Collegamenti del sistema degli altoparlanti

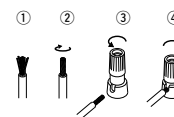
Impedenza degli altoparlanti

Usate degli altoparlanti con un'impedenza da 4 a 16 Ω /ohm.

- Osservate che l'uso di altoparlanti con un'altra impedenza, provocherà l'attivazione del circuito di protezione e può causare danni.

Collegamento delle corde degli altoparlanti

- Togliete il rivestimento da ciascun lato della corda.
- Attorcigliate i fili delle corde.
- Girate il terminale dell'altoparlante in senso antiorario per allentarlo.
- Inserite i fili delle corde per intero e poi girate il terminale in senso orario per stringerlo.



© Assicuratevi di collegare le corde tra i terminali degli altoparlanti e gli altoparlanti stessi aventi le stesse polarità (+ a +, - a -). In caso contrario, il suono di controllo risulterà debole e la posizione dei diversi strumenti non sarà chiara, diminuendo in tal modo l'effetto stereo.

© Al collegamento degli altoparlanti, assicuratevi che i fili delle corde degli altoparlanti non fuoriescano dai terminali e che non siano in contatto con altri terminali, 'uno con l'altro o col pannello posteriore.

Circuito di protezione

Quest'unità è stata dotata di un circuito di protezione ad alta velocità. Lo stesso circuito protegge le circuiterie interne da danni causati da grossi flussi di corrente che si verificano se le terminali degli altoparlanti non sono state collegate nel modo corretto o quando un'uscita è generata da un corto circuito.

L'attivazione di questo circuito di protezione serve per bloccare l'uscita agli altoparlanti. In tal caso, spegnete la corrente e controllate il collegamento degli altoparlanti. Poi, riaccendete l'unità. Dopo alcuni secondi di attenuazione del suono, l'unità funzionerà in modo normale.

NOTA:

- NON toccate MAI i terminali degli altoparlanti a corrente accesa, altrimenti si possono verificare scosse elettriche.

6 NOMENCLATURA E FUNZIONI

(1) Pannello Anteriore

1 Tasto di accensione (ON/STANDBY OFF)

- Quando premete questo tasto posizionandolo nella posizione "ON", si accende la corrente e si illuminano l'indicatore e il display. Il suono viene silenziato per alcuni secondi dopo l'accensione della corrente.
- Alla seconda pressione del tasto, posizionandolo nella posizione "OFF", si spegne la corrente.
- Il colore dell'indicatore cambia secondo il modo, come segue:

Interruttore di accensione dell'unità principale	Modo dell'unità	LED
ON (ON)	Operativo	E' illuminato (verde)
	Silenziamento	Lampeggia (verde)
	Attesa accensione	E' illuminato (rosso)
OFF (OFF)		Off

* Il modo di silenziamento rimane impostato per alcuni secondi quando si accende su ON l'interruttore di accensione (ON) dell'unità principale o quando si cancella il modo di attesa accensione tramite il telecomando. Il LED lampeggia durante il modo muto, e poi smette di lampeggiare e rimane rosso quando l'unità è operabile.

* Se l'indicatore lampeggia in arancione (rapidamente):
E' stato attivato il circuito di protezione.

In tal caso, impostate il tasto di accensione nella posizione "OFF" per far spegnere l'indicatore, poi controllate i terminali di ingresso e uscita sul pannello posteriore.

Controllate particolarmente l'eventuale messa in corto dei cavi dell'altoparlante. Dopo aver fatto tutti i collegamenti, riaccendete la corrente. Aspettate per almeno 10 secondi dopo aver spento la corrente, prima di riaccenderla.)

Quando il PMA-201SA è stato collegato in un sistema con modelli della serie 201SA, il tasto di accensione funziona come tasto di accensione dell'intero sistema. Quando si accende la corrente del modello PMA-201SA, si accende la corrente di tutti gli altri componenti collegati nel sistema.

* La corrente viene fornita al modello PMA-201SA anche quando la corrente è nel modo di attesa (basso consumo corrente).

2 PHONES (Presa per cuffie)

- Collegare una cuffia (venduta separatamente) a questa presa per un ascolto privato.
- Quando la spina delle cuffie viene inserita nella presa, l'uscita dell'altoparlante viene bloccata automaticamente e non viene riprodotto il suono attraverso gli altoparlanti.

3 REMOTE SENSOR (Sensore a distanza)

Questo sensore riceve la luce infrarossa trasmessa dal telecomando senza fili.
Per manovrare l'unità a distanza, puntate il telecomando senza fili verso questo sensore.

4 Controllo della funzione (FUNCTION)

- Commuta la funzione di ingresso. Viene anche usato per impostare i modi selezionati con il tasto del modo. (Fate riferimento alle pagine da 33 a 34.)

5 Tasto del modo (MODE)

- Usate questo tasto per impostare il livello dei bassi, degli acuti e del bilanciamento. (Fate riferimento alla pagina 33, 34.)
- Usate questo tasto per attivare o disattivare la funzione del loudness. (Fate riferimento alla pagina 33.)
- Usate questo tasto per impostare il sistema degli altoparlanti. (Fate riferimento alla pagina 34.)

6 Display

Fate riferimento alla pagina 31.

7 SOURCE DIRECT (Interruttore di sorgente diretta)

I controlli BASS, TREBLE, LOUDNESS e BALANCE possono essere usati quando questo interruttore si trova nella posizione OFF.
Quando collocate questo interruttore nella posizione ON, i controlli suddetti sono esclusi ed i segnali vengono immessi direttamente al circuito di controllo del volume, che garantisce un'alta qualità sonora.

8 VOLUME (Controllo del volume)

- Utilizzare questa manopola per regolare il volume di entrambi i canali.
Per aumentare il volume girare la manopola in senso orario ed in senso antiorario per diminuirlo.

(2) Pannello Posteriore

9 Terminale SIGNAL GND (massa)

- Collegate il filo di massa dei giradischi a questo terminale.

NOTA:

- Questo terminale viene usato per ridurre il rumore quando si collega un giradischi, ecc.
Non fornisce una completa messa a terra.

10 Terminali di ingresso (INPUTS)

- Questi sono i terminali di ingresso del lettore CD, del giradischi, del sintonizzatore, del DVD o di altri componenti di riproduzione.
- AUX-2:**
Usate queste prese per collegare un videoregistratore o un altro componente.

11 Terminali TAPE e MD REC (REC)

- Terminali di registrazione (REC)
- Questi sono le prese di uscita della registrazione.
- TAPE:**
Usate questi terminali per collegare una piastra a cassette.
- MD:**
Usate questi terminali per collegare un registratore MD.

12 Cavo di alimentazione

- Collegate il cavo alla presa murale.

13 Terminali SPEAKER SYSTEMS (sistema di altoparlanti)

- Collegate il sistema degli altoparlanti qui.

14 Connettori del sistema (SYSTEM CONNECTOR 1 e 2)

- Quando collegate la serie 201SA in un sistema, collegate questi connettori ai connettori del sistema degli altri componenti.
(Usate i cavi del sistema in dotazione con gli altri componenti.)

15 Terminali TAPE e MD PLAY (PB)

- Terminali di riproduzione (PB)

(3) Display [6]

16 Sezione del display principale

- Qui sono visualizzate la funzione, la fonte del programma, ecc.
- Viene visualizzata la fonte del programma in ingresso durante il funzionamento normale.
- Quando premete il tasto del modo, il display cambia per visualizzare le varie funzioni.

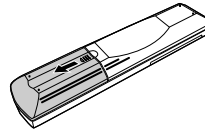
7 CONTROLLO DEL SISTEMA REMOTO

Il telecomando in dotazione (RC-906) può essere usato per effettuare le operazioni principali delle unità nella serie 201SA collegate con i collegamenti del sistema. Non è possibile manovrare altri componenti con questo telecomando.

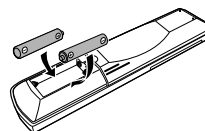
Osservate che alcune funzioni possono non funzionare con i telecomandi del sistema. In tal caso, usate il telecomando in dotazione con il componente.

(1) Installazione delle batterie

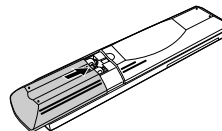
- Rimovete il coperchio posteriore dal telecomando.



- Inserite 2 batterie R03/AAA nel vano batterie nella direzione indicata.



- Reinstallate il coperchio posteriore.

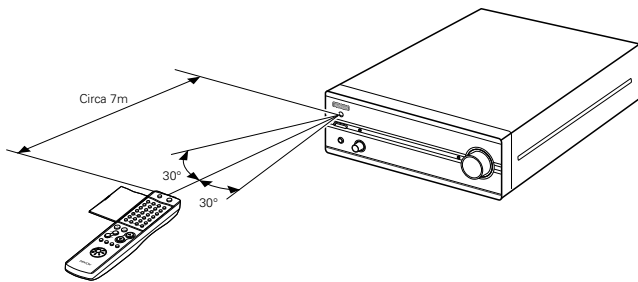


Note sulle batterie

- Installate delle batterie R03/AAA nel telecomando.
- Le batterie vanno sostituite approssimativamente una volta all'anno, anche se questo dipende dalla frequenza d'uso del telecomando.
- Anche se è trascorso meno di un anno, sostituite le batterie se il telecomando non funziona anche se usato vicino all'apparecchio. (La batteria inclusa è solo per verificare il funzionamento. Sostituirla con una nuova batteria prima possibile.)
- Quando installate le batterie, fate attenzione a rispettare la direzione giusta, seguendo le polarità "+" e "-" indicate nel vano batterie.
- Per prevenire danni e fuoriuscite:
• Non usate una nuova batteria insieme ad una usata.
• Non usate due tipi di batterie allo stesso tempo.
• Non mettete in corto, né smontate, piegate o gettate le batterie nel fuoco.
- Rimovete le batterie dal telecomando se avete intenzione di non usarlo per un lungo periodo.
- Se fuoriesce del liquido dalle batterie, strofinate il vano batterie attentamente per rimuovere il liquido, poi installate delle nuove batterie.

ITALIANO

(2) Uso del telecomando



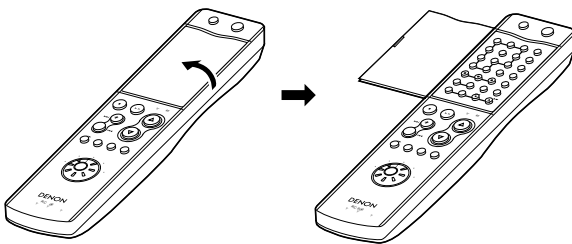
NOTE:

- Può risultare difficile manovrare il telecomando se il sensore a distanza viene esposto alla luce diretta del sole o ad una forte luce artificiale.
- Non premete contemporaneamente i tasti sull'unità principale e sul telecomando. Altrimenti si possono verificare dei malfunzionamenti.
- Le insegne al neon ed altri componenti che emettono del rumore ad impulsi e che si trovano nella vicinanza possono causare dei malfunzionamenti, perciò tenete il telecomando il più lontano possibile da tali componenti.

- Puntate il telecomando verso il sensore a distanza sull'unità principale come nell'illustrazione.
- Il telecomando può essere usato da una distanza dritta di circa 7 metri dall'unità principale, ma questa distanza sarà ridotta se ci sono degli ostacoli o se il telecomando non viene puntato direttamente verso il sensore a distanza.
- Il telecomando può essere manovrato ad un angolo orizzontale di massimo 30 gradi rispetto al sensore a distanza.

(3) Nomi e funzioni dei tasti del telecomando

■ Apertura del coperchio del telecomando



■ I tasti non descritti qui funzionano come i tasti corrispondenti dell'unità principale.

Tasto di attesa accensione (SYSTEM POWER STANDBY)

Premete questo tasto per impostare il modo di attesa accensione del PMA-201. Quando collegate il componente in un sistema della serie 201SA, questo tasto serve per attivare il modo di attesa accensione dell'inte o sistema.)

Tasto di accensione (SYSTEM POWER ON)

Quando premete questo tasto con il modello PMA-201SA nel modo di attesa, si accende la corrente del PMA-201SA. (Quando collegate il componente in un sistema con i componenti della serie 201SA, questo tasto accende la corrente dell'intero sistema.)

Operazione comune delle funzioni della serie 201SA

Quando collegate l'unità in un sistema con i componenti della serie 201SA, questi tasti sono usati per manovrare i vari componenti collegati. Per ulteriori istruzioni per l'uso, fate riferimento ai manuali delle istruzioni dei vari componenti.

Tasto DIMMER

Usate questa funzione per cambiare la luminosità del display. La luminosità del display cambia in quattro passi (chiaro, medio, scuro e spento) premendo ripetutamente il tasto DIMMER sul telecomando.

Tasto FUNCTION

Premete questo tasto per selezionare la funzione della fonte da riprodurre. La funzione cambia come segue ad ogni pressione del tasto:

CD → TUNER → DVD/AUX
MD → TAPE ← AUX 2 ← PNONO ←

Tasti VOLUME/SELECT

- Premete Δ per aumentare il volume, ∇ per diminuire lo stesso.
- Questi tasti servono anche per impostare i vari modi.

Tasto MODE

Interruttore di selezione delle funzioni del telecomando

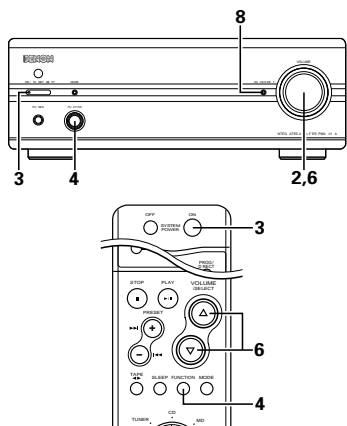
Usate quest'interruttore per selezionare la funzione da usare insieme a questo telecomando. Per ulteriori informazioni sull'uso dei vari componenti, fate riferimento ai manuali delle istruzioni in questione.

Modelli compatibili con il controllo remoto del sistema

- Preamplicatore/amplificatore principale : PMA-201SA
- Sintonizzatore : TU-201SA
- Lettore CD : DCD-201SA
- Piastra a cassette : DRR-201SA
- Registratore MD : DMD-201SA

8 FUNZIONAMENTO

(1) Registrazione

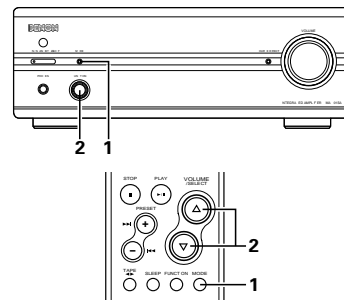


1	Controllare che tutti i collegamenti siano giusti.
2	Girate la manopola di controllo del volume u nel senso orario (Ω), verso la posizione del livello minimo.
3	<p>Accendere l'apparecchio.</p> <ul style="list-style-type: none"> L'indicatore lampeggia prima in rosso, poi diventa verde e infine si arresta il lampeggio (rimane illuminato l'indicatore). <p>ON / STANDBY OFF ON</p> <p>(Unità principale) (Telecomando)</p> <p>■ Modo di accensione/attesa accensione e memoria delle funzioni</p> <ul style="list-style-type: none"> Quando usate il telecomando per accendere la corrente del PMA-201SA dal modo di attesa, la funzione viene impostata alla funzione selezionata l'ultima volta che è stato impostato il modo di attesa accensione. (Funzione dell'ultima memoria) Se la funzione è stata cancellata dalla memoria, la funzione viene impostata a "CD" all'accensione del PMA-201SA.

4	<p>Girate il controllo FUNCTION sull'unità principale o premete il tasto FUNCTION sul telecomando per selezionare la funzione della fonte da riprodurre.</p> <ul style="list-style-type: none"> La funzione cambia nell'ordine indicato qui sotto. * La funzione cambia nell'ordine inverso quando girate il controllo in senso antiorario (Ω). <p> (Unità principale) (Telecomando) </p> <p> </p>
5	Avviate la riproduzione nel componente selezionato.
6	<p>Regolate il volume.</p> <p> (Unità principale) (Telecomando) </p>
7	<p>Regolate i controlli BALANCE, BASS e TREBLE ed impostate il controllo LOUDNESS nella posizione desiderata.</p> <p>* Per ulteriori informazioni sulla regolazione, fate riferimento alla sezione "Impostazione dei vari modi" alla pagina 33, 34.</p>
8	<p>Utilizzo della funzione fonte diretta: Collocate il tasto SOURCE DIRECT nella posizione "ON".</p> <p> (Unità principale) </p>

(2) Impostazione dei vari modi

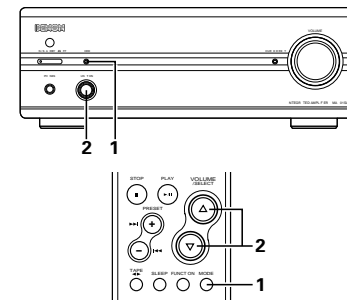
[1] Regolazione dei bassi e degli acuti



1	<p>Premete il tasto MODE per visualizzare il modo da regolare ("BASS" o "TREBLE").</p> <p> (Unità principale) (Telecomando) </p> <ul style="list-style-type: none"> Il modo cambia come segue ad ogni pressione del tasto: <p> </p> <p>* Quando è attivato il modo fonte diretta, il modo cambia come segue (non è possibile selezionare i modi di regolazione BASS e TREBLE).</p> <p> </p>
----------	---

2	<p>Girate il controllo FUNCTION sull'unità principale oppure usate i tasti SELECT del telecomando.</p> <p> (Unità principale) (Telecomando) </p> <ul style="list-style-type: none"> Per aumentare i bassi o gli acuti: Girate il controllo in senso orario (Ω) o premete il tasto Δ. Per diminuire i bassi o gli acuti: Girate il controllo in senso antiorario (Ω) o premete il tasto ∇. Potete regolare i bassi e gli acuti all'interno del campo da -12 a 0 in passi da +12. La risposta è piatta al livello 0.
----------	--

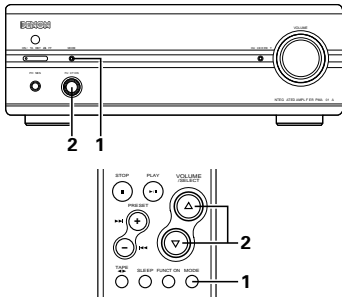
[2] Impostazione del modo del loudness



1	<p>Premete il tasto MODE per visualizzare "LOUDNESS".</p> <p> (Unità principale) (Telecomando) </p> <ul style="list-style-type: none"> Il modo cambia come segue qui a sinistra ogni qualvolta premete il tasto. * Non è possibile selezionare "LOUDNESS" quando è attivato il modo fonte diretta.
2	<p>Girate il controllo FUNCTION sull'unità principale oppure usate i tasti SELECT del telecomando.</p> <p> (Unità principale) (Telecomando) </p> <ul style="list-style-type: none"> Per posizionare il controllo su "ON": Girate il controllo in senso orario (Ω) o premete il tasto Δ. Per posizionare il controllo su "OFF": Girate il controllo in senso antiorario (Ω) o premete il tasto ∇.

NOTA:
L'aumento massimo totale del volume dei bassi, degli acuti e del loudness è +12. Per esempio, impostando i bassi e gli acuti su +12, il loudness non cambia quando attivate e disattivate la funzione del loudness.

[3] Impostazione del modo dell'altoparlante



1 Premete il tasto MODE per visualizzare "SPEAKER".

- Il modo cambia come segue qui a sinistra ogni qualvolta premete il tasto.

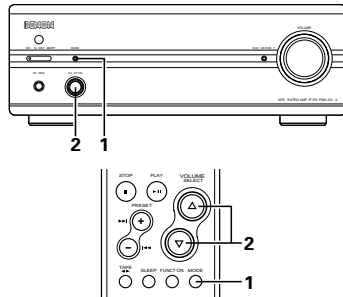
MODE	MODE
Unità principale)	(Telecomando)

2 Girate il controllo FUNCTION sull'unità principale oppure usate i tasti SELECT del telecomando.

FUNCTION (OFF)	FUNCTION (ON)
(Unità principale)	(Telecomando)

- Per posizionare il controllo su "ON": Girate il controllo in senso orario (↻) o premete il tasto Δ.
- Per posizionare il controllo su "OFF": Girate il controllo in senso antiorario (↺) o premete il tasto ∇.

[4] Regolazione del bilanciamento



1 Premete il tasto MODE per visualizzare "BALANCE".

MODE	MODE
Unità principale)	(Telecomando)

- Il modo cambia come segue qui a sinistra ogni qualvolta premete il tasto.
- *Non è possibile selezionare "BALANCE" quando è attivato il modo fonte diretta.

2 Girate il controllo FUNCTION sull'unità principale oppure usate i tasti SELECT del telecomando.

FUNCTION	VOLUME SELECT
(Unità principale)	(Telecomando)

- Se è basso il volume dell'altoparlante destro: Girate il controllo in senso orario (↻) o premete il tasto Δ.
- Se è basso il volume dell'altoparlante sinistro: Girate il controllo in senso antiorario (↺) o premete il tasto ∇.
- Il bilanciamento può essere impostato su "CENTE" o regolato all'interno del campo da +1 a +10 in passi di 1. Quando impostate "CENTER", la differenza tra il volume degli altoparlanti sinistro e destro è 0.

[9] FUNZIONI DEL SISTEMA

- L'operazione è ancora più facile quando i componenti della serie 201SA sono collegati al PMA-201SA con dei collegamenti di sistema. (Per ulteriori informazioni sui collegamenti, fate riferimento a "COLLEGAMENTI" alla pagina 29, 30.)
- Tutti i segnali delle funzioni del sistema per l'operazione dei componenti della serie 201SA sono emessi dal PMA-201SA, per cui dovete assicurarvi di collegare il PMA-201SA durante l'esecuzione dei collegamenti del sistema.
- Le funzioni del sistema sono disponibili solo quando avete collegato dei componenti della serie 201SA. Non funzionano con altri componenti.
- Quando effettuate i collegamenti del sistema, potete usare le funzioni del sistema descritte qui sotto.
 - (1) Il telecomando del sistema (RC-906) in dotazione con il PMA-201SA può essere usato per effettuare le operazioni principali negli altri componenti.
 - (2) I segnali di controllo a distanza degli altri componenti sono ricevuti dal sensore remoto del PMA-201SA.
 - (3) **Funzione di accensione automatica:**
Quando il sistema si trova nel modo di attesa, la corrente si accende automaticamente alla pressione del tasto di PLAY/PAUSE (▶ ||) sul lettore CD (DCD-201SA), sulla piastra a cassette (DRR-201SA), e sul registratore MD (DMD-201SA) e ha inizio la riproduzione. Inoltre, se non premete nessuno dei tasti di preselezione (PRESET UP o DOWN) del sintonizzatore TU-201SA, si accende la corrente del sintonizzatore e viene sintonizzato il programma radio.
 - (4) **Selezione funzione automatica:**
Cambia automaticamente la funzione quando premete il tasto di PLAY/PAUSE (▶ ||) del lettore CD (DCD-201SA), della piastra a cassette (DRR-201SA) e del registratore MD (DMD-201SA) e ha inizio la riproduzione.
 - (5) **Registrazione sincronizzata del CD:**
Potete registrare i CD sulla piastra a cassette (DRR-201SA), sul registratore MD (DMD-201SA), semplicemente premendo il tasto CD SRS sulla piastra a cassette.
 - (6) **Registrazione simultanea:**
Quando premete il tasto di PLAY/PAUSE (▶ ||) del lettore CD (DCD-201SA) nel modo di pausa registrazione della piastra a cassette (DRR-201SA), del registratore MD (DMD-201SA), ha inizio automaticamente la registrazione.
 - (7) **Funzioni del timer:**
Le funzioni del sintonizzatore TU-201SA possono essere usate per avviare la riproduzione o la registrazione dei programmi radio ("air check") all'ora impostata. Potete anche usare lo sleep timer.
- Per ulteriori informazioni sulle varie operazioni, fate riferimento al manuale delle istruzioni dei componenti.

10 LOCALIZZAZIONE DEI GUASTI

Se dovessero sorgere dei dubbi, controllate i seguenti punti.

1. I collegamenti sono giusti ?
2. L'unità viene usata in conformità con le istruzioni ?
3. Gli altoparlanti ed i componenti di entrata vengono usati correttamente ?

Se l'unità sembra non funzionare correttamente, controllare i punti qui sotto. Se non si riesce a risolvere il problema, l'unità può essere guasta. Spegnete immediatamente la corrente e rivolgetevi al luogo di acquisto.

Sintomi	Causa	Rimedio	Pagina
I LED di accensione non si illuminano e non viene riprodotto il suono quando si accende l'interruttore di accensione POWER.	<ul style="list-style-type: none"> Il cavo di alimentazione non è stato collegato. 	<ul style="list-style-type: none"> Controllate che il filo sia stato collegato. 	29, 31
I LED di accensione si illuminano, ma il suono non viene riprodotto.	<ul style="list-style-type: none"> I cavi degli altoparlanti non sono stati collegati correttamente. L'interruttore INPUT SELECTOR non è stato collocato nella posizione giusta. Il controllo VOLUME è stato girato al minimo. 	<ul style="list-style-type: none"> Effettuate un collegamento ben saldo. Collocate l'interruttore nella posizione appropriata. Impostate un livello appropriato. 	29, 30 33 33
Il suono viene riprodotto solo da un lato.	<ul style="list-style-type: none"> I cavi degli altoparlanti non sono stati collegati correttamente. I cavi di entrata non sono stati collegati correttamente. Il bilanciamento sinistro/destro non è stato regolato correttamente. 	<ul style="list-style-type: none"> Effettuate il collegamento correttamente. Effettuate il collegamento correttamente. Regolate il controllo BALANCE. 	30 29 34
Il livello del volume cambia quando si commuta dal sintonizzatore al giradischi e viceversa.	<ul style="list-style-type: none"> L'uscita del sintonizzatore si differisce da quella del giradischi. 	<ul style="list-style-type: none"> Regolate l'uscita del giradischi secondo l'uscita del sintonizzatore, il quale è stato dotato di un controllo dell'uscita. 	—
Le posizioni degli strumenti musicali sono invertite per le fonie stereo.	<ul style="list-style-type: none"> Gli altoparlanti sinistro e destro o i cavi degli altoparlanti sono stati invertiti. 	<ul style="list-style-type: none"> Controllate i collegamenti di sinistra/destra. 	29, 30
Un ronzio viene riprodotto durante la riproduzione dei dischi.	<ul style="list-style-type: none"> Il filo di massa del giradischi non è stato collegato. I fili di collegamento sono stati collegati correttamente alle terminali PHONO. Influenza di una TV o altri apparecchi elettrici vicino al giradischi. 	<ul style="list-style-type: none"> Effettuate il collegamento in modo ben saldo. Effettuate il collegamento in modo ben saldo. Spostate l'installazione. 	29 29 —
Si sente dell'ululato quando si aumenta il volume durante la riproduzione dei dischi.	<ul style="list-style-type: none"> Il giradischi è troppo vicino agli altoparlanti. Il pavimento è morbido e vibra facilmente. 	<ul style="list-style-type: none"> Allontanate gli altoparlanti il più possibile dal giradischi. Usate dei cuscinetti per assorbire le vibrazioni trasmesse dal pavimento agli altoparlanti. Nel caso in cui il giradischi non è stato dotato di isolamento, acquistate l'isolamento audio presso un negozio hi-fi. 	— —
Il suono è distorto.	<ul style="list-style-type: none"> La pressione sulla puntina è troppo leggera. C'è della sporcizia sulla puntina. La cartuccia è difettosa. 	<ul style="list-style-type: none"> Applicate una pressione giusta. Controllate la puntina. Sostituite la cartuccia. 	— — —
Quest'unità non funziona correttamente quando si usa il telecomando.	<ul style="list-style-type: none"> Le batterie sono scariche. 	<ul style="list-style-type: none"> Sostituite le batterie. 	31
	<ul style="list-style-type: none"> Il telecomando è troppo lontano dall'apparecchio. 	<ul style="list-style-type: none"> Avvicinate il telecomando. 	32
	<ul style="list-style-type: none"> C'è un ostacolo tra l'apparecchio e il telecomando. 	<ul style="list-style-type: none"> Rimuovete l'ostacolo. 	32
	<ul style="list-style-type: none"> Avete premuto un altro tasto. 	<ul style="list-style-type: none"> Premete il tasto giusto. 	32
	<ul style="list-style-type: none"> Le polarità \oplus e \ominus della batteria sono state invertite. 	<ul style="list-style-type: none"> Inserite le batterie correttamente. 	31

11 SPECIFICHE

SEZIONE DELL'AMPLIFICATORE DI POTENZA

Potenza di uscita nominale:

50 W + 50 W (4 Ω /ohms carico, DIN 1 kHz, D.A.T. 0,7%)
4 a 16 Ω /ohms

Terminali di uscita:

PREAMPLIFICATORE

Uscita nominale:

150 mV Terminali di uscita per registrazione)

Sensibilità di ingresso/

PHONO: 25 mV/47 k Ω /kohms

Impedenza di ingresso:

CD, TUNER, DVD/AUX,

TAPE, MD, AUX-2: 100 mV/16 k Ω /kohms

PHONO: 20 Hz - 20 kHz \pm 0,5 dB

RIAA Deviazione:

CARATTERISTICHE GENERALI

Rapporto segnale/rumore (rete IHF A):

PHONO: 80 dB (ad un'entrata di 5 mV)

(I terminali di ingresso sono cortocircuitati)

CD, TUNER, DVD/AUX,

TAPE, MD, AUX-2: 102 dB (SOURCE DIRECT: ON)

5 Hz - 100 kHz: +0, -3 dB (SOURCE DIRECT: ON)

BASS: 100 Hz \pm 8 dB

ACUT: 10 kHz \pm 8 dB

LOUDNESS: 100 Hz +6 dB

10 kHz +4 dB

ALTI

Alimentazione:

CA 230 V, 50 Hz

Consumo:

110 W

(Circa 1W nel modo di attesa)

250 (L) X 90 (A) X 371 (P) mm

6,0 kg

TELECOMANDO (RC-906)

Sistema di controllo a distanza:

Sistema ad impulsi infrarossi

3 V CC, due batterie a secco della misura R03 ("AAA")

48 (L) X 210 (A) X 29 (P) mm

120 gr

(compreso le batterie)

* Maximum dimensions include controls, jacks, and covers.

(L) = la ghezza, (A) = altezza, (P) = profondità


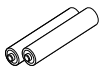
Le specificazioni e le funzioni sono soggette a cambiamenti senza preavviso per motivi di miglioramento del prodotto.

CONTENDIO

1 CARACTERÍSTICAS	36	7 CONTROL REMOTO DEL SISTEMA	39, 40
2 ANTES DE UTILIZAR EL APALATO	36	8 OPERACIÓN	41, 42
3 PRECAUCIONES EN LA INSTALACIÓN	36	9 FUNCIONES DEL SISTEMA	42
4 PRECAUCIONES EN EL MANEJO	36	10 LOCALIZACIÓN Y SOLUCIÓN DE PROBLEMAS	43
5 CONEXIONES	37, 38	11 ESPECIFICACIONES	43
6 NOMBRE Y FUNCIÓN DE LAS PARTES	39		

■ ACCESORIOS

Compruebe que la unidad principal va acompañada de las piezas siguientes:

① Mando a distancia (RC-906).....	1		②	
② Pilas R03/AAA	2			
③ Instrucciones de funcionamiento	1			
④ Lista de servicios técnicos	1			

1 CARACTERÍSTICAS

1. Circuito de salida HC-TR para conseguir tanto sutileza como alimentación

Un circuito único push-pull mediante un transistor de corriente alta (HC-TR) basado en los mismos principios que el UHC-MOS utilizado en el POA-S1, el amplificador de potencia monoaural de la gama más alta de DENON, alcanza de manera estable un alto suministro de corriente y una linealidad de señal de nivel bajo excelente. El resultado es un nivel extremadamente alto tanto de sutileza como de potencia.

2. Conjunto de circuitos de gran potencia que admite las capacidades expresivas del circuito de salida HC-TR.

La conjunto de circuitos de gran potencia que consta de diodos de rectificador de alta velocidad y condensadores de bloques de gran calidad de sonido permiten al circuito de salida del transistor HC utilizarse a su máximo potencial.

3. S.L.D.C.

El PMA-201SA utiliza un S.L.D.C. (construcción dividida de nivel de señal) con la separación ideal de los diferentes circuitos (circuito de señal de nivel bajo, circuito de señal de nivel alto, circuito de microprocesador, etc).

4. Función de fuente directa para una calidad de sonido mejorada

El PMA-201SA está equipado con una función de fuente directa que se deriva por los circuitos de control de graves, agudos, volumen y balance para conseguir una ruta de señal simple que contribuye a conseguir un sonido más puro.

5. Unidad de control remoto del sistema

El PMA-201SA incorpora una unidad de control remoto que puede utilizarse para controlar los diferentes componentes de la serie 201SA (reproductor de CD, grabador de CD, platina de casete y sintonizador, cuando se utilizan sólo las conexiones del sistema).

6. Consumo bajo de energía en el modo standby

El consumo de energía cuando la alimentación está en el modo standby o se reduce a 1W o menos.

2 ANTES DE UTILIZAR EL APALATO

Antes de usar este equipo preste atención a las siguientes indicaciones:

• Mover el equipo

Para evitar cortocircuitos o daños en los cables de conexión, cuando quiera mover el equipo, antes de hacerlo desenchufe siempre el cable de alimentación y desconecte los cables de conexión entre todos los demás componentes de audio.

• Antes de encender el interruptor de alimentación

Compruebe de nuevo que todas las conexiones están correctamente hechas y que los cables no presentan problemas. Sitúe siempre el interruptor de alimentación en la posición de espera antes de conectar o desconectar los cables de conexión.

• Conserve estas instrucciones en lugar seguro.

Después de leerlas, guarde estas instrucciones en lugar seguro, junto con la garantía.

• Se advierte que las ilustraciones que figuran en estas instrucciones pueden diferir de las del equipo real por motivos de explicación.

3 PRECAUCIONES EN LA INSTALACIÓN

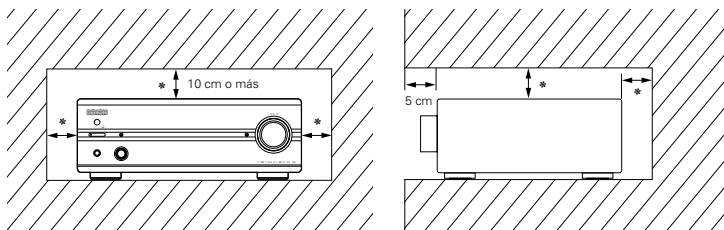
Se pueden producir ruidos o la imagen se puede distorsionar si este equipo, o cualquier otro equipo electrónico que utilice microprocesadores, está situado cerca de un sintonizador o de una televisión.

Si este fuera el caso, siga los pasos que se indican a continuación:

- Instale este equipo lo más lejos posible del sintonizador o de la televisión.
- Coloque los cables de la antena del sintonizador o de la televisión lejos del cable de alimentación de este equipo y de los cables de conexión de entrada y salida del mismo.

Se pueden producir ruidos o distorsiones, sobre todo cuando se utilizan antenas de interior o cables de alimentación de 300 Ω/ohmios. **Recomendamos que se utilicen antenas de exterior y cables coaxiales de 75 Ω/ohmios.**

Para facilitar la difusión del calor, deje, como mínimo, una distancia de 10 cm entre la parte superior, la parte posterior y los lados de este equipo y la pared u otros componentes.



4 PRECAUCIONES EN EL MANEJO

• Activar la función de entrada cuando las tomas de entrada no están conectadas

Si la función de entrada se activa cuando en las tomas de entrada no hay nada conectado, puede producirse un ruido de chasquido. Si ocurre esto, gire el mando de volumen MASTER VOLUME para bajarlo o conecte los componentes en las tomas de entrada.

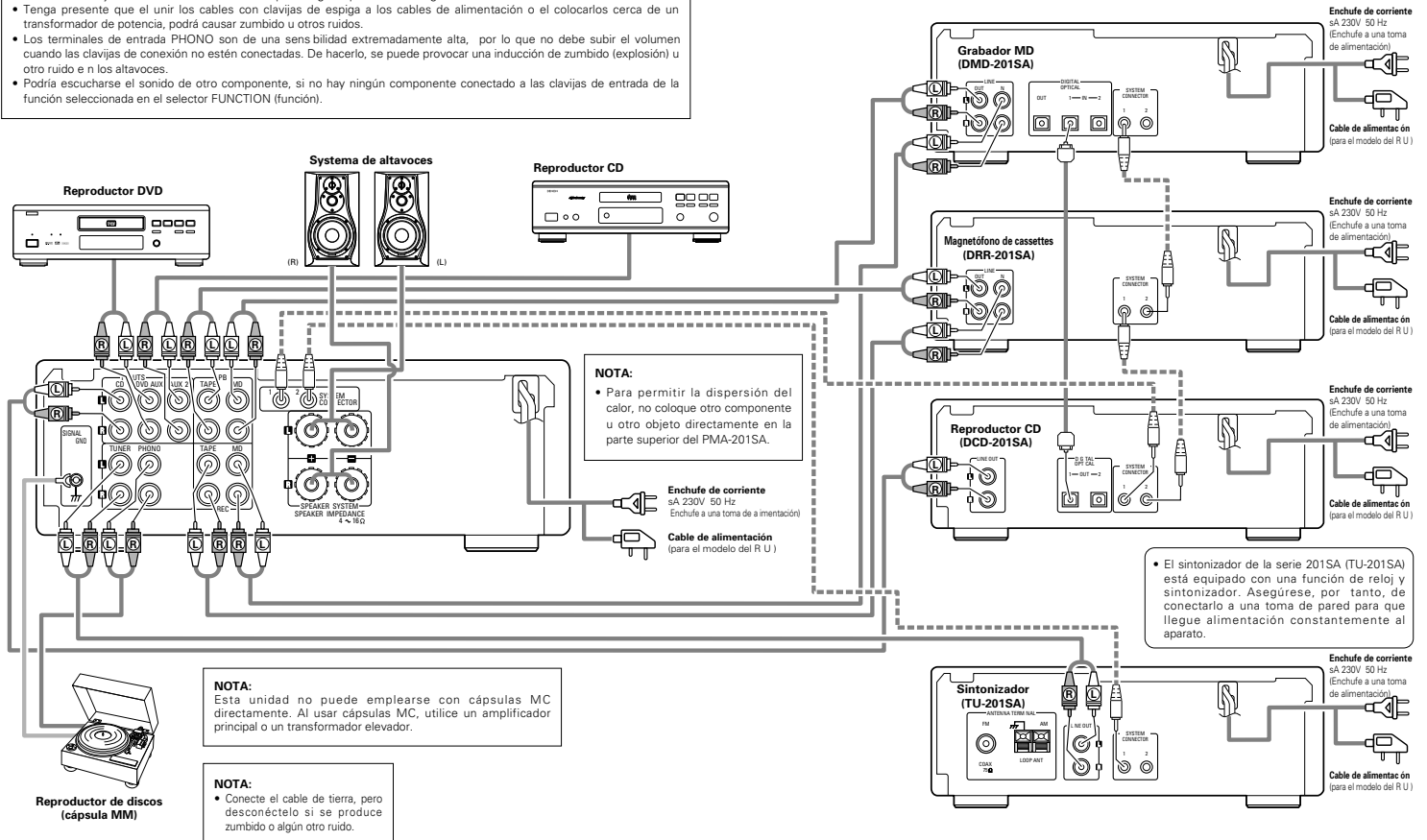
Asegúrese de desconectar el cable de alimentación cuando vaya a ausentarse de casa (por ejemplo, durante las vacaciones).

5 CONEXIONES

- Cuando se efectúe una conexión, consulte también los manuales de otros componentes.
- Cuando se efectúe una conexión a la serie 201SA, efectúe las conexiones del sistema que se muestran en las líneas punteadas que figuran en el diagrama siguiente.
- El PMA-201SA no está equipado con los cables de conexión. Utilice los cables de conexión incluidos con los componentes que esté conectando al PMA-201SA.

NOTAS:

- No conecte el cable de alimentación antes de haber completado todas las demás conexiones.
- Asegúrese de conectar correctamente los canales izquierdo y derecho (izquierdo con izquierdo, y derecho con derecho).
- Inserte las clavijas firmemente. Las conexiones poco seguras pueden causar generación de ruido.
- Tenga presente que el unir los cables con clavijas de espiga a los cables de alimentación o el colocarlos cerca de un transformador de potencia, podrá causar zumbido u otros ruidos.
- Los terminales de entrada PHONO son de una sensibilidad extremadamente alta, por lo que no debe subir el volumen cuando las clavijas de conexión no estén conectadas. De hacerlo, se puede provocar una inducción de zumbido (explosión) u otro ruido e n los altavoces.
- Podría escucharse el sonido de otro componente, si no hay ningún componente conectado a las clavijas de entrada de la función seleccionada en el selector FUNCTION (función).

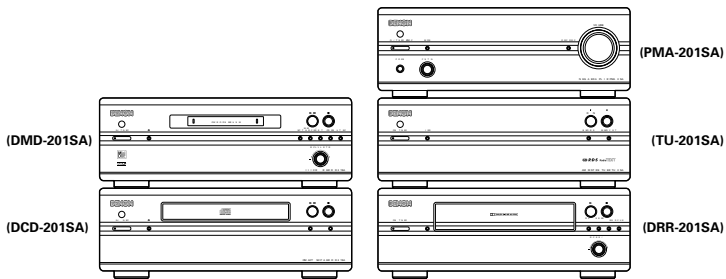


Operaciones del sistema

- Las operaciones del sistema como las funciones de temporizador, grabación/reproducción y conexión automática sólo pueden utilizarse si están conectados los cables de audio y del sistema entre todos los componentes del sistema. Asegúrese de conectar de manera segura todos los cables de conexión entre todas las unidades.
- La desconexión de un cable del sistema durante el funcionamiento del sistema podría provocar un funcionamiento incorrecto. Asegúrese de desenchufar los cables antes de cambiar las conexiones.

Instalación recomendada del sistema

- Para garantizar un buen rendimiento y una buena estabilidad, instale el sistema (serie 201SA) como se muestra a continuación.



- * No coloque otro componente directamente en la parte superior del PMA-201SA. Para permitir la dispersión del calor, deje un espacio de al menos 10 cm por encima del PMA-201SA, para que no se obstruyan los orificios de ventilación.
- * Para una mejor estabilidad, no apile más de tres componentes encima de otro.

Conexión del sistema de altavoces

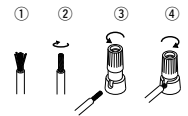
Impedancia del altavoz

Utilice los sistemas de altavoces con una impedancia de 4 a 16Ω/ohmios.

- Tenga en cuenta que si se utilizan los altavoces con otra impedancia, se activará el circuito protector y podrían ocasionarse daños.

Conexión de los cables de altavoz

- ① Pele el extremo del cable.
- ② Retuerza los hilos.
- ③ Gire el terminal de altavoz en sentido contrario a las agujas del reloj para aflojarlo.
- ④ Inserte totalmente los hilos, luego gire el terminal en el sentido de las agujas del reloj para apretarlo.



- Ⓢ Asegúrese de conectar los cables entre los terminales de altavoz (+ a +, - a -). De no hacerlo, el sonido central resultará débil y la posición de los distintos instrumentos no será clara, disminuyendo el efecto estéreo.

- Ⓢ Al conectar los altavoces, asegúrese de que los hilos no se salen de los terminales y tocan en otros terminales o en el panel trasero.

NOTA:

- NUNCA toque los terminales de altavoces cuando la alimentación esté conectada. De lo contrario, usted podrá sufrir una descarga eléctrica.

Circuito de protección

Este equipo está provisto de un circuito de protección de alta velocidad. Este circuito protege la circuitería interna contra daños causados por grandes flujos de corriente cuando la conexión de los terminales de altavoces es incompleta o cuando se genera una salida por causa de un cortocircuito. El circuito de protección interrumpe la salida de sonido por los altavoces. Cuando esto suceda, asegúrese de desconectar la alimentación al equipo y de revisar las conexiones de los altavoces. Luego, vuelva a conectar la alimentación. Después de algunos segundos de silenciamiento, el equipo volverá a funcionar normalmente.

6 NOMBRE Y FUNCIÓN DE LAS PARTES

(1) Panel Frontal

1 Botón Power (ON/STANDBY/OFF)

- Cuando se pulse y se ajuste en la posición "ON", la alimentación se activará y el se iluminarán el indicador y la pantalla. El sonido se anulará durante varios segundos tras la activación de la alimentación.
- Cuando se vuelva a pulsar y se ajuste a la posición "OFF", se desactivará la alimentación.
- El color del indicador cambia según el modo, del siguiente modo:

Interruptor de alimentación de la unidad principal	El modo de la unidad principal está encendido	LED
ON (ON)	En funcionamiento	Encendido (verde)
	En silencio	Destellando (verde)
	Modo de espera	Encendido (rojo)
OFF (OFF)		Apagado

* El equipo asume el modo de silenciamiento durante varios segundos cuando se activa (ON) el interruptor de alimentación de la unidad principal o cuando se cancela el modo de espera desde la unidad de control remoto. El LED destella durante el modo enmudecido, luego se detiene el centelleo, permaneciendo iluminado, una vez que el ajuste es operable.

* Si el indicador está parpadeando de color naranja (rápidamente).

El circuito protector está activado. Si ocurre esto, ajuste el botón de alimentación a la posición "OFF" para desactivar el indicador y después revise la los terminales de entrada y salida en el panel trasero.

Compruebe especialmente si existe un cortocircuito en los cables del altavoz. Después de que se hayan corregido todas las conexiones, vuelva a activar la alimentación. (Espere al menos 10 segundos después de desactivar la alimentación y antes de volver a activarla).

• Cuando se conecte el PMA-201SA en un sistema con la serie 201SA, su botón de alimentación funciona como el botón de alimentación del sistema completo. Cuando la alimentación del PMA-201SA se activa, se activa la alimentación de todas las unidades conectadas del sistema.

* Se suministra alimentación al PMA-201SA incluso cuando la alimentación está en modo standby (menor consumo de energía).

2 PHONES (Conexión para auriculares)

- Utilice esta hembra para conectar unos auriculares.
- Cuando se inserte el enchufe de los altavoces en la clavija, se desconectará automáticamente la salida de los altavoces y no se escuchará ningún sonido de los altavoces.

3 REMOTE SENSOR (Sensor de control remoto)

Este sensor recibe la luz infrarroja transmitida desde la unidad de control remoto inalámbrica. Para operar el equipo a control remoto, apunte la unidad de control remoto inalámbrica hacia este sensor.

4 Función dial (FUNCTION)

- Cambia la función de entrada. También se utiliza para ajustar los modos seleccionados con el botón de modo. Consulte las páginas 41 a 42.

5 Botón de modo (MODE)

- Utilícelo para ajustar el nivel de agudos, graves y balance. (Consulte la página 41, 42.)
- Utilícelo para activar o desactivar la función de volumen. (Consulte la página 41.)
- Utilícelo para configurar el sistema de altavoces. (Consulte la página 42.)

6 Pantalla

Consulte la página 39.

7 SOURCE DIRECT (Interruptor de Emisión Directa)

Los controles BASS (bajos), TREBLE (agudos), LOUDNESS (sonoridad) y BALANCE (balance) pueden emplearse cuando este interruptor se encuentra en posición OFF.

Al ser ajustado a la posición ON, los controles antes mencionados son omitidos y las señales ingresan directamente al circuito del control de volumen, lográndose una alta calidad de sonido.

8 VOLUME (Control de volumen)

- Este control se utiliza para ajustar el nivel de volumen de ambos canales. Gire el control en sentido de las agujas del reloj para incrementar el volumen y en sentido contrario para reducirlo.

(2) Panel Trasero

9 Terminal SIGNAL GND (tierra)

- Conecte aquí el cable de tierra del giradiscos.

NOTA:

- Este terminal se usa para reducir el ruido cuando hay un giradiscos, etc., conectado. Este terminal no proporciona una conexión completa a tierra.

10 Terminales de entrada (INPUTS)

Son los terminales de entrada para el reproductor de CD, la mesa de mezclas, el sintonizador, el DVD u otros componentes de reproducción.

AUX-2:

- Utilícelos para conectar un video u otro componente.

11 Terminales TAPE y MD REC (REC)

- Terminales de grabación (REC)
- Son las clavijas de salida para grabación.
- TAPE: Utilícelas para conectar una platina de casete.
- MD: Utilícelas para conectar un grabador MD.

12 Cable de alimentación

- Conecte el cable a una toma de corriente mural.

13 Terminales SPEAKER SYSTEMS (sistema de altavoces)

- Conecte aquí los sistemas de altavoces.

14 Conectores del sistema (CONECTORES DEL SISTEMA 1 y 2)

- Cuando se conecten a la serie 201SA de un sistema, conecte estos conectores a los conectores del sistema o a otros componentes del sistema. (Utilice los cables del sistema incluidos con los otros componentes).

15 Terminales TAPE y MD PLAY (PB)

- Terminales de reproducción (PB)

(3) Visualizar [6]

16 Sección principal de la pantalla

- Se muestran aquí la función, la fuente del programa de entrada, etc.
- Durante su funcionamiento normal, se muestra la fuente del programa de entrada.
- Cuando se pulsa el botón de modo, la pantalla pasa a mostrar varias funciones.

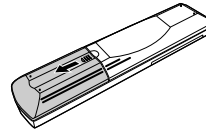
7 CONTROL REMOTO DEL SISTEMA

■ La unidad de control remoto del sistema incluida (RC-906) puede utilizarse para llevar a cabo las operaciones principales de las unidades en la serie 201SA que están conectadas con las conexiones del sistema. No pueden accionarse otros componentes con esta unidad de control remoto.

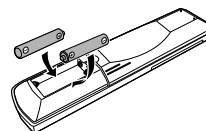
Tenga en cuenta que es posible que algunas funciones no funcionen con las unidades de control remoto. En tal caso, utilice la unidad de control remoto incluida con el componente.

(1) Colocación de las pilas

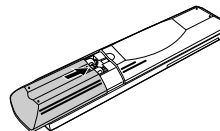
- 1 Quite la cubierta trasera del mando a distancia.



- 2 Coloque dos pilas R03/AAA, en la dirección que se indica, en el compartimento de baterías.



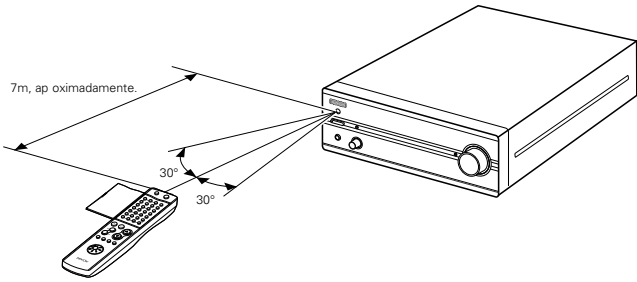
- 3 Coloque nuevamente la cubierta trasera.



Notas sobre las pilas

- Para el mando a distancia utilice pilas R03/AAA.
- Las pilas deben sustituirse por otras nuevas aproximadamente una vez al año, aunque esto depende de la frecuencia con que se utilicen.
- Aunque haya transcurrido menos de un año, sustituya las pilas por otras nuevas si el equipo no funciona aún cuando el mando a distancia se accione cerca del aparato. (La pila suministrada es solo para verificar el funcionamiento. Reemplacela por una nueva tan pronto sea posible.)
- Cuando introduzca las baterías, compruebe que quedan en la dirección correcta, siguiendo las marcas "+" y "-" que hay en el compartimento de las pilas.
- Para evitar daños o fugas del líquido de las pilas:
 - No utilice baterías nuevas junto con otras viejas.
 - No utilice dos tipos distintos de pilas.
 - No cortocircuite, deshaga o caliente las pilas ni las tire al fuego.
- Saque las pilas del mando a distancia cuando no vaya a utilizarlo durante un largo tiempo.
- Si se produjera una fuga del líquido de las pilas, limpie bien el interior del compartimento de las pilas y coloque pilas nuevas.

(2) Utilización del mando a distancia



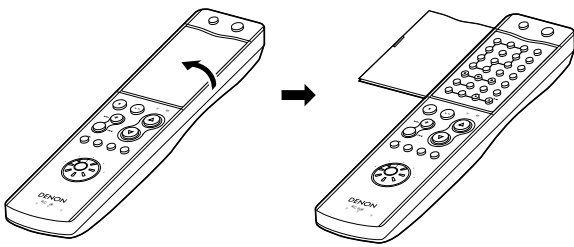
NOTAS:

- Puede resultar difícil accionar el mando a distancia si el sensor remoto está expuesto a la luz solar directa o a una luz artificial muy fuerte.
- No pulse los botones de la unidad principal y del mando a distancia simultáneamente. Si lo hace puede producirse un mal funcionamiento.
- Los anuncios de neón u otros dispositivos que emitan ruidos de tipo pulsátil y que estén situados en las proximidades del aparato, pueden producir un mal funcionamiento de éste, por lo que el aparato debe estar lo más apartados que sea posible de estos dispositivos.

- Dirija el mando a distancia de modo que apunte hacia el sensor remoto situado en la unidad principal, como se indica en la ilustración.
- El mando a distancia puede utilizarse a una distancia, en línea recta, de unos 7 metros de la unidad principal, pero esta distancia será menor si existen obstáculos entre los dos aparatos o si el mando a distancia no apunta directamente al sensor remoto.
- El mando a distancia puede accionarse situándolo en ángulo horizontal de hasta 30 grados con respecto a sensor remoto.

(3) Nombres y funciones de los botones de la unidad de control remoto

■ **Apertura de la tapa de la unidad de control remoto**



■ Los botones que no se describen aquí funcionan del mismo modo que los botones correspondientes de la unidad principal.

Botón de standby de la alimentación (SYSTEM POWER STANDBY)

Púlselo para ajustar la alimentación del PMA-201SA al modo standby. Cuando esté conectado a un sistema con la serie 201SA, este botón configura la alimentación de todo el sistema al modo standby).

Botón de alimentación (SYSTEM POWER ON)

Cuando se pulsa este botón mientras la alimentación del PMA-201SA está en el modo standby, se activa la alimentación del PMA-201SA. (Cuando está conectado en un sistema con la serie 201SA, este botón activa la alimentación de todo el sistema).

Bloque de operaciones de función de serie de 201SA

Cuando se conecte en un sistema con la serie 201SA, estos botones se utilizan para utilizar los diversos componentes conectados al sistema. Para las instrucciones de funcionamiento, consulte los manuales de los diversos componentes.

Botón DIMMER

Utilice esta función para cambiar la intensidad de brillo de la pantalla. La intensidad de brillo de la pantalla cambia en cuatro pasos (brillante, medio, débil y apagado), pulsando repetidamente el botón DIMMER (reductor de intensidad de luz) del mando a distancia del equipo.

Botón FUNCTION

Púlselo para seleccionar la fuente de la función que desee reproducir. La función pasa en el orden siguiente cada vez que se pulsa el botón:

CD → TUNER → DVD/AUX
MD → TAPE → AUX 2 → PNDND

Botones VOLUME/SELECT

- Pulse Δ para subir el volumen, ∇ para bajarlo.
- Estos botones también se utilizan para configurar varios modos.

Botón MODE

Interruptor de selección de la función del control remoto

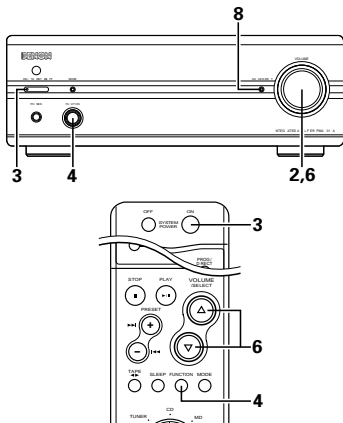
Utilícelo para seleccionar la función que se desee utilizar en la unidad de control remoto. Para instrucciones de funcionamiento de los diversos componentes, consulte sus manuales respectivos.

Modelos compatibles con un control remoto del sistema

- Preamplificador principal : PMA-201SA
- Sintonzador : TU-201SA
- Reproductor de CD : DCD-201SA
- Platina de casete : DRR-201SA
- Grabador de MD : DMD-201SA

8 OPERACIÓN

(1) Reproducción

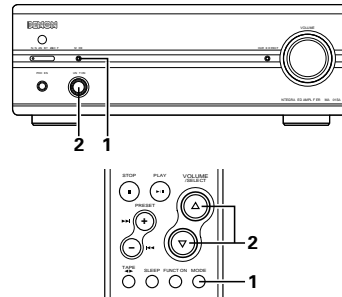


1	<p>Verifique que todas las conexiones estén correctas.</p>
2	<p>Gire el control de volumen en el sentido contrario a las agujas del reloj (⌚), hasta la posición de mínimo.</p> <p>(Unidad principal)</p>
3	<p>Encienda el equipo.</p> <ul style="list-style-type: none"> El indicador pa padea primero de color rojo, después de verde y por último deja de pa padear (se queda iluminado). <p>(Unidad principal) (Mando a distancia)</p> <p>■ El modo de activación de la alimentación/standby y la función de memoria</p> <ul style="list-style-type: none"> Ⓞ Cuando se utiliza la unidad del control remoto para activar la alimentación del PMA-201SA desde el modo standby, la función queda ajustada a la función seleccionada cuando la alimentación se ajustó por última vez en el modo standby. (Última función de memoria) Ⓞ Si se ha borrado la función desde la memoria, la función queda ajustada a "CD" cuando se activa la alimentación PMA-201SA.

4	<p>Gire el dial FUNCTION en la unidad principal o pulse e botón en la unidad de control remoto. Botón FUNCTION para seleccionar la fuente de función que se desee reproducir.</p> <ul style="list-style-type: none"> La función pasa en el o den que se muestra a continuación. * La función pasa en orden contrario cuando el se mueve el dial en sentido contrario a las agujas del reloj ⌚). <p>(Unidad principal) (Mando a distancia)</p> <p>CD → TUNER → DVD/AUX MD ← TAPE ← AUX 2 ← PHONO</p>
5	<p>Inicie la reproducción en el componente seleccionado.</p> <ul style="list-style-type: none"> Consulte las instrucciones de funcionamiento en el manual del componente.
6	<p>Ajuste el volumen.</p> <p>(Unidad principal) (Mando a distancia)</p>
7	<p>Ajuste los controles BALANCE, BASS y TREBLE (balance, bajo y agudos) y ajustar la posición LOUDNESS (volumen) en la posición deseada.</p> <p>* Para instrucciones sobre los ajustes, consulte "(2) Ajuste de los diferentes modos" en la página 41, 42.</p>
8	<p>Para utilizar la función directa de fuente: Ajuste el botón SOURCE DIRECT (fuente directa) en la posición "ON".</p> <p>(Unidad principal)</p>

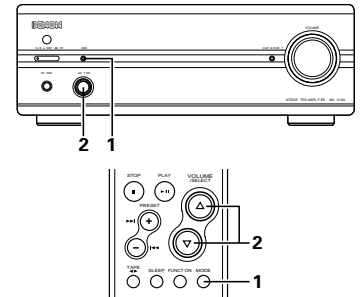
(2) Configuración de los diversos modos

[1] Ajuste de bajos y agudos



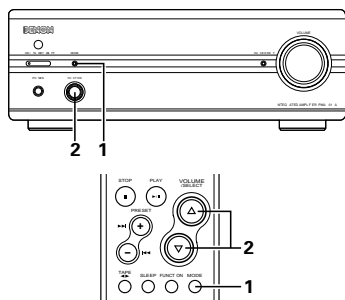
1	<p>Pulse el botón MODE para que se muestre el modo que desee ajustar ("BASS" o "TREBLE") -graves o agudos-.</p> <p>Unidad principal) (Mando a distancia)</p> <ul style="list-style-type: none"> El modo cambia de la siguiente forma cada vez que se pulsa e botón: <p>BASS → TREBLE → LOUDNESS Playback ← SPEAKER ← BALANCE function source</p> <p>* Cuando el modo directo de la fuente está activado, el modo cambia del siguiente modo (no pueden seleccionarse los modos de ajuste BASS y TREBLE -graves y agudos-).</p> <p>SPEAKER → Playback function source</p>
2	<p>Gire el dial FUNCTION en la unidad principal o utilice los botones de selección SELECT del cont. del remoto.</p> <p>(Unidad principal) (Mando a distancia)</p> <ul style="list-style-type: none"> Para aumentar los bajos o los agudos: Gire el dial en el sentido de las agujas del reloj (⌚) o pulse el botón Δ. Para reducir los bajos o los agudos: Gire el dial en sentido contrario a las agujas del reloj ⌚) o pulse el botón ∇. Los bajos y los agudos pueden ajustarse dentro de la gama de -12 a 0 a +12 en pasos de 2. La respuesta se mantiene plana en 0.

[2] Ajuste del modo de volumen



1	<p>Pulse el botón MODE para que se muestre "LOUDNESS".</p> <p>Unidad principal) (Mando a distancia)</p> <ul style="list-style-type: none"> El modo cambia de la siguiente forma en la parte izquierda cada vez que se pulsa el botón. * No puede seleccionarse "LOUDNESS" cuando el modo directo de fuente está activado.
2	<p>Gire el dial FUNCTION en la unidad principal o utilice los botones de selección SELECT del cont. del remoto.</p> <p>(Unidad principal) (Mando a distancia)</p> <ul style="list-style-type: none"> Para ajustar a "ON": Gire el dial en el sentido de las agujas del reloj (⌚) o pulse e botón Δ. Para ajustar a "OFF": Gire el dial en sentido contrario a las agujas del reloj ⌚) o pulse el botón ∇.
<p>NOTA: El aumento de volumen total máximo para graves, agudos y volumen juntos es de +12. Si, por ejemplo, se ajustan los valores de agudos y graves a +12, el sonido no cambia cuando se activa o desactiva la función de volumen.</p>	

[3] Ajuste del modo de altavoces



1

Pulse el botón MODE para que se muestre "SPEAKER".

- El modo cambia de la siguiente forma en la parte izquierda de cada vez que se pulsa el botón.

MODE	MODE
Unidad principal)	(Mando a distancia)

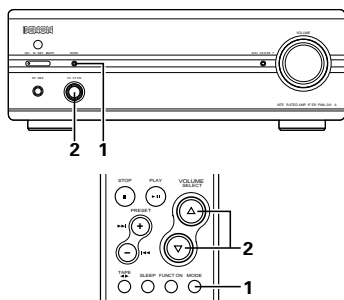
2

Gire el dial FUNCTION en la unidad principal o utilice los botones de selección SELECT del control remoto.

FUNCTION (OFF)	FUNCTION (ON)
(Unidad principal)	(Mando a distancia)

- Para ajustar a "ON": Gire el dial en el sentido de las agujas del reloj (Q) o pulse e botón Δ.
- Para ajustar a "OFF": Gire el dial en sentido contrario a las agujas del reloj (O) o pulse e botón ∇.

[4] Ajuste del balance



1

Pulse el botón MODE para que se muestre "BALANCE".

MODE	MODE
Unidad principal)	(Mando a distancia)

- El modo cambia de la siguiente forma en la parte izquierda de cada vez que se pulsa e botón.
- *No puede seleccionarse "BALANCE" cuando el modo directo de fuente está activado.

2

Gire el dial FUNCTION en la unidad principal o utilice los botones de selección SELECT del control remoto.

FUNCTION	VOLUME SELECT
(Unidad principal)	(Mando a distancia)

- Si el volumen del altavoz derecho está bajo: Gire el dial en el sentido de las agujas del reloj (Q) o pulse e botón Δ.
- Si el volumen del altavoz izquierdo está bajo: Gire el dial en sentido contrario a las agujas del reloj (O) o pulse e botón ∇.
- Puede ajustarse el volumen a "CENTER" (central) o dentro de la gama de +1 a +10 en pasos de 1. Cuando se ajuste a "CENTER", la diferencia entre el volumen del altavoz izquierdo y del derecho será de 0.

[9] FUNCIONES DEL SISTEMA

- El funcionamiento es incluso más sencillo cuando los componentes de la serie 201SA se conectan al PMA-201SA con las conexiones del sistema. (Si desea instrucciones sobre conexiones, consulte "CONEXIONES" en la página 37, 38).
- Todas las señales de función del sistema para activar componentes en la serie 201SA salen del PMA-201SA. Asegúrese por tanto de conectar el PMA-201SA cuando efectúe las conexiones del sistema.
- Las funciones del sistema sólo funcionarán cuando esté conectada la serie 201SA de componentes. No funcionarán con otros componentes.
- Cuando se efectúen las conexiones del sistema, pueden utilizarse las funciones del sistema descritas a continuación.
 - La unidad de control remoto del sistema (RC-906) incluida con el PMA-201SA puede utilizarse para efectuar las operaciones principales en los otros componentes.
 - Las señales de control remoto de los otros componentes los recibe el sensor remoto PMA-201SA.
 - Función de alimentación automática:**
Cuando el sistema queda ajustado al modo standby, la alimentación se activa automáticamente cuando se pulsa el botón de PLAY/PAUSE (▶ ||) en el reproductor de CD (DCD-201SA), en la platina (DRR-201SA), y en el grabador de MD (DMD-201SA) y la reproducción comienza. Además, si se pulsa uno de los botones predeterminados (PRESET UP o DOWN) del sintonizador (TU-201SA), la alimentación del sintonizador se activa y se sintoniza el programa de radio.
 - Selección de función automática:**
La función cambia automáticamente cuando el botón de PLAY/PAUSE (▶ ||) en el reproductor de CD (DCD-201SA), la platina (DRR-201SA) y el grabador de MD (DMD-201SA) se pulsa y comienza la reproducción.
 - Grabación sincronizada con CD:**
Los CD pueden grabarse en la platina de cassette (DRR-201SA) y el grabador MD (DMD-201SA) con sólo pulsar el botón CD SRS en la platina del cassette.
 - Grabación simultánea:**
Cuando se pulsa el botón de PLAY/PAUSE (▶ ||) en el reproductor de CD (DCD-201SA) mientras se ajusta la platina de cassette (DRR-201SA), el grabador de MD (DMD-201SA) al modo de pausa de grabación, la grabación se inicia automáticamente.
 - Funciones del temporizador:**
Las funciones del temporizador en el temporizador TU-201SA pueden utilizarse para iniciar la reproducción o grabar programas de radio ("air check") a horas determinadas. El temporizador de siesta (sleep timer) también puede utilizarse para esta función.
- Para instrucciones sobre las diversas operaciones, consulte las instrucciones de funcionamiento de los componentes.

10 LOCALIZACIÓN Y SOLUCIÓN DE PROBLEMAS

Compruebe lo siguiente antes de determinar que el equipo tiene algún problema.

- ¿ Han sido correctamente efectuadas todas las conexiones ?
- ¿ Se está usando el equipo de acuerdo con lo descrito en el manual de instrucciones ?
- ¿ Están siendo debidamente operados los altavoces y demás componentes de entrada ?

Si le parece que el equipo no funciona en forma debida, compruebe los puntos que se describen a continuación. Si ninguna de las situaciones descritas es aplicable, probablemente el equipo tenga algún daño. En este caso, desconecte inmediatamente la alimentación y consulte en la tienda donde lo adquirió.

Sintomas	Cause	Medidas	Pagina
El LED POWER no se enciende y no hay emisión de sonido cuando el interruptor POWER (alimentación) es activado.	<ul style="list-style-type: none"> El cable de alimentación no está conectado. 	<ul style="list-style-type: none"> Compruebe que el cable esté conectado. 	37, 39
El LED POWER se enciende, pero no hay emisión de sonido.	<ul style="list-style-type: none"> Los cables de los altavoces no están debidamente conectados. El interruptor INPUT SELECTOR (selector de entrada) no está ajustado a la posición correcta. El control VOLUME (volumen) está ajustado a la posición de mínimo. 	<ul style="list-style-type: none"> Conecte los cables en forma segura. Ajuste el interruptor a la posición correcta. Ajuste el control a un nivel apropiado. 	37, 38 41 41
Sólo un lado produce sonido.	<ul style="list-style-type: none"> Los cables de los altavoces no están debidamente conectados. Los cables de entrada no están debidamente conectados. El balance izquierda/derecha no ha sido debidamente ajustado. 	<ul style="list-style-type: none"> Conecte los cables en forma segura. Conecte los cables en forma segura. Ajuste el control BALANCE. 	38 37 42
El nivel de volumen es distinto al escuchar emisiones de radio y al reproducir discos.	<ul style="list-style-type: none"> La salida del sintonizador es distinta de la del giradiscos. 	<ul style="list-style-type: none"> Ajuste la salida del sintonizador hasta igualar la del giradiscos si el sintonizador está equipado con un control de salida. 	—
Al reproducir fuentes estereofónicas, la posición de los instrumentos aparece invertida.	<ul style="list-style-type: none"> Los cables izquierdos y derechos de altavoces o los cables de entrada han sido conectados al revés. 	<ul style="list-style-type: none"> Revise la conexión izquierda/derecha. 	37, 38
Se produce un ruido retumbante al reproducir discos.	<ul style="list-style-type: none"> El cable de tierra del giradiscos no ha sido conectado. Los cables de entrada no han sido debidamente conectados a los terminales PHONO. Existen influencias de un televisor o de algún otro dispositivo eléctrico cercano al tornamesa. 	<ul style="list-style-type: none"> Conecte los cables en forma segura. Conecte los cables en forma segura. Elija otro lugar de instalación. 	37 37 —
Se produce ruido (o aullido) al aumentar el nivel de volumen durante la reproducción de discos.	<ul style="list-style-type: none"> El giradiscos es demasiado cerca de los altavoces. El piso es inestable y vibra con facilidad. 	<ul style="list-style-type: none"> Aleje los sistemas de altavoces del giradiscos tanto como sea posible. Use cojines para absorber las vibraciones transmitidas a través del piso a los altavoces. Si el reproductor no estuviera equipado con aisladores, use aisladores de audio (a la venta en tiendas del ramo). 	— —
Distorsión del sonido.	<ul style="list-style-type: none"> La presión de la aguja es demasiado débil. La punta de la aguja está sucia. Cápsula defectuosa. 	<ul style="list-style-type: none"> Aplique la presión adecuada. Revise la punta de la aguja. Reemplace la cápsula. 	— — —
El equipo no funciona bien cuando se emplea la unidad de control remoto.	<ul style="list-style-type: none"> Las pilas están agotadas. La unidad de control remoto está demasiado lejos del equipo. Hay un obstáculo entre el equipo y la unidad de control remoto. Usted ha presionado un botón equivocado. Las pilas han sido insertadas al revés (con los extremos \oplus y \ominus invertidos). 	<ul style="list-style-type: none"> Reemplácelas por pilas nuevas. Acérquese al receptor. Quite el obstáculo. Presione el botón correcto. Inserte correctamente las pilas. 	39 40 40 40 39

11 ESPECIFICACIONES

SECCIÓN AMPLIFICADORA DE PODER

- Potencia nominal:** 50 W + 50 W (Carga 4 Ω /ohmios, DIN 1 kHz, D.A.T. 0,7%)
4 a 16 Ω /ohmios
- **PREAMPLIFICADOR**
- Potencia nominal:** 150 mV (Terminal REC OUT)
- Sensibilidad de entrada/ Impedancia de entrada:**
- PHONO: 2.5 mV/47 k Ω /kohmios
CD, TUNER, DVD/AUX, TAPE, MD, AUX-2: 100 mV/16 k Ω /kohmios
PHONO: 20 Hz – 20 kHz \pm 0.5 dB
- Variación RIAA:**

CARACTERÍSTICAS GENERALES

- Relación señal/ruido (red IHF A):** PHONO: 80 dB (con una entrada de 5 mV) (terminales de entrada cortocircuitados)
CD, TUNER, DVD/AUX, TAPE, MD, AUX-2: 102 dB (SOURCE DIRECT: ON)
5 Hz – 100 kHz : +0, -3 dB (SOURCE DIRECT: ON)
BAJOS: 100 Hz \pm 8 dB
AGUDOS: 10 kHz \pm 8 dB
SONORIDAD: 100 Hz +6 dB
10 kHz +4 dB
- Frecuencia de respuesta:**
- Gama de regulación de tonos:**

OTROS

- Fuente de energía:** AC 230 V, 50 Hz
- Consumo de energía:** 110 W
Aprox. 1W en modo standby)
- Dimensiones:** 250 An) X 90 (Al) X 371 (Fd) mm
- Peso:** 6,0 kg
- **UNIDAD DE CONTROL REMOTO (RC-906)**
- Sistema de control remoto:** Sistema de impulsos infrarrojos
- Alimentación:** 3 V CC, Dos pilas secas tamaño R03 ("AAA")
- Dimensiones externas:** 48 An) X 210 (Al) X 29 (Fd) mm
- Peso:** 120 gr. (incluyendo las pilas)

- * Las dimensiones máximas incluyen los controles, tomas, y tapas.
(An) = anchura, (Al) = altura, (Fd) = profundidad

- Para facilitar la introducción de mejoras, las especificaciones y funciones quedan sujetas a cambios sin previo aviso.


NEDERLANDS

INHOUDSOPGAVE

<p>1 KENMERKEN 44</p> <p>2 VOOR GEBRUIK 44</p> <p>3 VOORZORGSMAATREGELEN BIJ DE INSTALLATIE 44</p> <p>4 VOORZORGSMAATREGELEN BIJ DE BEDIENING 44</p> <p>5 AANSLUITINGEN 45, 46</p> <p>6 NAMEN EN FUNCTIES VAN ONDERDELEN 47</p>	<p>7 SYSTEEMAFSTANDSBEDIENING 47, 48</p> <p>8 BEDIENING 49, 50</p> <p>9 SYSTEEMFUNCTIES 50</p> <p>10 VERHELPELEN VAN PROBLEEMEN 51</p> <p>11 TECHNISCHE GEGEVENS 51</p>
---	--

■ ACCESSOIRES

Controleer of de volgende onderdelen bij het hoofdtoestel zitten:

<p>① Afstandsbediening (RC-906) 1</p> <p>② R03/AAA batterijen 2</p> <p>③ Handleiding 1</p> <p>④ Lijst met service-adressen 1</p>	
--	---

1 KENMERKEN

1. HC-TR uitvoercircuit voor nauwkeurigheid en vermogen

Een enkelvoudig push pull-circuit met een HC-TR (hoge stroomtransistor), gebaseerd op dezelfde principes als de UHC-MOS die in de POA-S1 (het topmodel van de monovermogensversterker van DENON) wordt gebruikt, zorgt voor zowel een grote stroomtoevoer en uitstekende lineariteit bij laag-niveausignalen. Dit resulteert in uiterste nauwkeurigheid en vermogen.

2. Sterke stroomcircuits ondersteunen de expressieve mogelijkheden van het HC-TR-uitvoercircuit

Dankzij de sterke stroomcircuits met hogesnelheidsgeleidendiodes en de grote blokcondensers met hoge geluidskwaliteit kan het potentieel van het HC-transistoruitvoercircuit maximaal worden benut.

3. S.L.D.C.

De PMA-201SA maakt gebruik van een S.L.D.C. (Signal Level Divided Construction) met ideale scheiding van de verschillende circuits (laag-niveausignaalcircuit, hoog-niveausignaalcircuit, microprocessorcircuit, enz.)

4. Source Direct-functie voor verbeterde geluidskwaliteit

De PMA-201SA biedt een source direct-functie waarbij de regelcircuit voor lage tonen, hoge tonen, loudness en balans worden omzeild zodat de eenvoudige signaalweg bijdraagt tot een zuivere klank.

5. Systeemafstandsbediening

Bij de PMA-201SA wordt een systeemafstandsbediening geleverd die u kunt gebruiken met de verschillende componenten van de 201SA-reeks (cd-speler, MD-recorder, cd-recorder, cassettedeck en tuner, op voorwaarde dat u systeemansluitingen hebt gemaakt).

6. Laag stroomverbruik in standby

In de standby-modus blijft het stroomverbruik beperkt tot maximaal 1 W.

2 VOOR GEBRUIK

Neem het volgende in acht alvorens dit toestel te gebruiken:

• Verplaatsen van het toestel

Om kortsluitingen of beschadiging van draden in de aansluitsnoeren te vermijden, moet u steeds het netsnoer uittrekken en de aansluitsnoeren tussen alle andere audiocomponenten loskoppelen alvorens het toestel te verplaatsen.

• Alvorens de spanning in te schakelen

Controleer nogmaals of alle aansluitingen juist zijn en of er geen problemen zijn met de aansluitsnoeren. Zet de spanningsschakelaar steeds in de standbystand alvorens aansluitsnoeren aan of los te koppelen.

• Bewaar deze gebruiksaanwijzing op een veilige plaats.

Bewaar na het lezen de gebruiksaanwijzing samen met de waarborg op een veilige plaats.

• Merk op dat de afbeeldingen in deze gebruiksaanwijzing kunnen afwijken van het eigenlijke toestel omwille van de duidelijkheid.

3 VOORZORGSMAATREGELEN BIJ DE INSTALLATIE

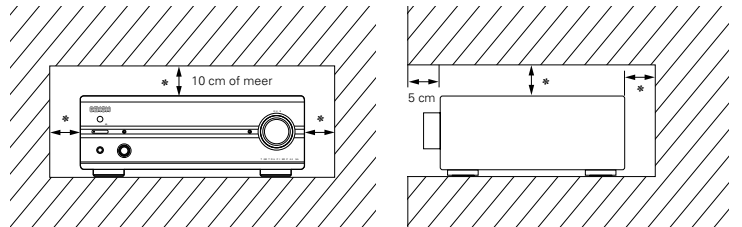
Het gebruik van dit toestel of een ander elekt. onisch apparaat met ingebouwde microprocessor in de nabijheid van een tuner of een TV kan leiden tot storingen van klank of beeld.

Neem als dit gebeurt de volgende maatregelen:

- Installeer dit toestel zover mogelijk van de tuner of van het TV-toestel.
- Houd de antennedraden van de tuner of de TV zover mogelijk verwijderd van het netsnoer en de ingangsaansluitsnoeren van dit toestel.

• Storingen treden vooral op bij het gebruik van binnenantennes of voedingskabels van 300 Ω/ohm. Daarom raden wij u aan buitenantennes en coaxkabels van 75 Ω/ohm te gebruiken.

Laat voor een goede warmteafvoer minstens 10 cm ruimte tussen de boven-, achter- en zijkanten van dit toestel en de muur of andere componenten.



4 VOORZORGSMAATREGELEN BIJ DE BEDIENING

• Veranderen van ingangsfunctie wanneer de ingangsaansluitingen niet zijn aangesloten

Wanneer de ingangsfunctie wordt veranderd en niets op de ingangsaansluitingen is aangesloten, is mogelijk een klikgeluid te horen. Draai in dit geval de MASTER VOLUME-regelaar (hoofdvolume) omlaag of sluit componenten aan op de ingangsaansluitingen.

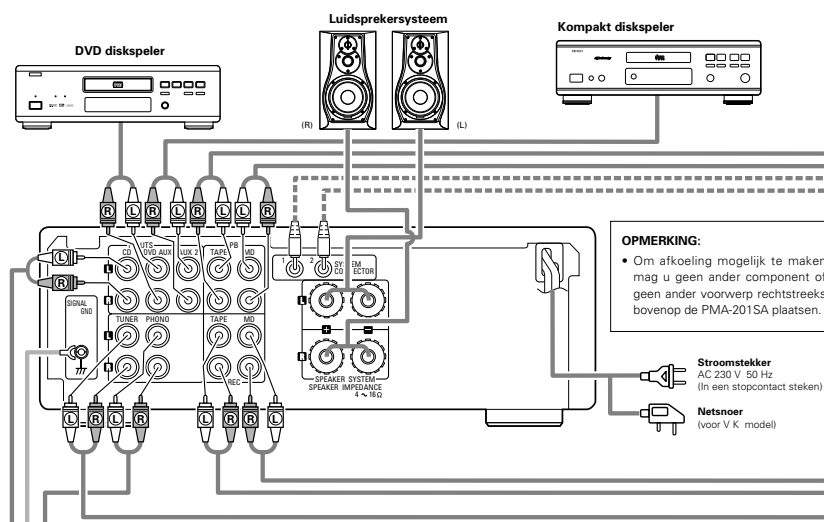
Trek het netsnoer uit wanneer u voor langere tijd weggaat, bijvoorbeeld op vakantie.

5 AANSLUITINGEN

- Zie voor de aansluiting ook de handleidingen van de andere componenten.
- Wanneer u aansluit op de 201SA-reeks, voert u de systeemaansluitingen uit die in het onderstaande schema met stippellijn worden aangegeven.
- Bij de PMA-201SA worden geen aansluit snoeren meegeleverd. Gebruik de aansluit snoeren die werden geleverd bij de componenten die u op de PMA-201SA aansluit.

OPMERKINGEN:

- Steek het netsnoer pas in nadat alle aansluitingen zijn gemaakt.
- Zorg dat u de linkse en rechte kanalen juist aansluit (links op links, rechts op rechts).
- Steek de stekkers stevig in. Losse aansluitingen leiden tot storingen.
- Wanneer penstekkersnoeren worden samengebonden met netsnoeren of in de buurt van een vermogenstransformator worden gelegd, leidt dit tot geb om of andere storingen.
- De PHONO-ingangsklemmen uiterst gevoelig; vermijd dus onnodig ve hogen van het volume wanneer geen penstekkersnoeren zijn aangesloten. Als u dit wel doet, kan dit leiden tot inductieruis (gebulder) in de luidsprekers.
- U hoort mogelijk een ander component als op de ingangsaansluitingen van de functie die u met de FUNCTION-kiezer hebt geselecteet d, geen component is aangesloten.



OPMERKING:

- Om afkoeling mogelijk te maken mag u geen ander component of geen ander voorwerp rechtstreeks bovenop de PMA-201SA plaatsen.

Stroomstekker
AC 230 V 50 Hz
(in een stopcontact steken)

Netsnoer
(voor V K model)



Platen-speler
(magnetisch MM-element)

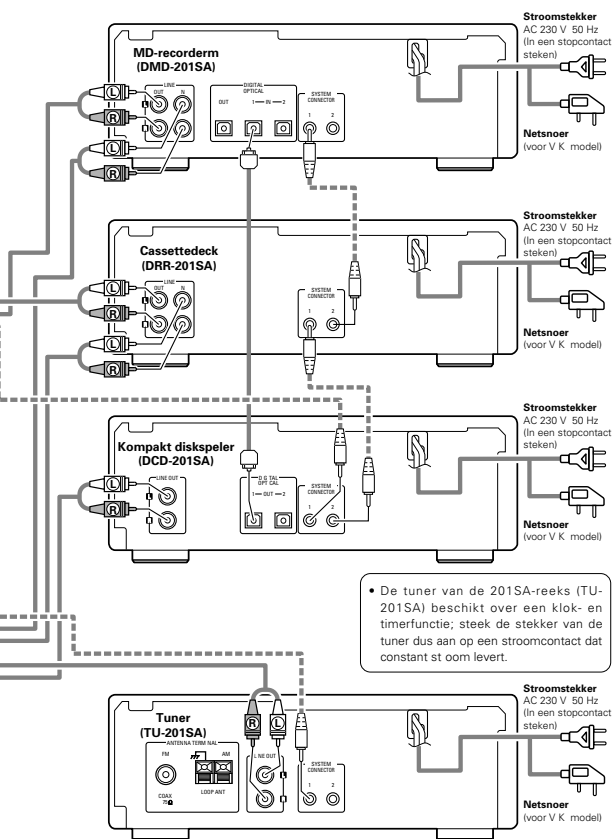
OPMERKING:

Het is niet mogelijk om een draaitafel met een elektromagnetisch MC-element rechtstreeks op dit toestel aan te sluiten. Gebruik een voorversterker of een optransformator wanneer u een draaitafel met een elektromagnetisch MC-element heeft.

OPMERKING:

- Sluit het aardings-snoer aan, maar koppel het los als bromruis of een ander soort ruis wordt opgewekt.

- Wanneer u systeemaansluitingen met de 201SA-reeks maakt, sluit u het systeemsnoer aan op de systeemconnector (1 of 2) van de PMA-201SA. Sluit de andere systeemcomponenten ook op dezelfde manier op elkaar aan. (In het schema wo den systeemaansluitingen aangegeven met stippelijjn.)



Stroomstekker
AC 230 V 50 Hz
(in een stopcontact steken)

Netsnoer
(voor V K model)

Stroomstekker
AC 230 V 50 Hz
(in een stopcontact steken)

Netsnoer
(voor V K model)

Stroomstekker
AC 230 V 50 Hz
(in een stopcontact steken)

Netsnoer
(voor V K model)

- De tuner van de 201SA-reeks (TU-201SA) beschikt over een klok- en timerfunctie; steek de stekker van de tuner dus aan op een stroomcontact dat constant st oom levert.

Stroomstekker
AC 230 V 50 Hz
(in een stopcontact steken)

Netsnoer
(voor V K model)

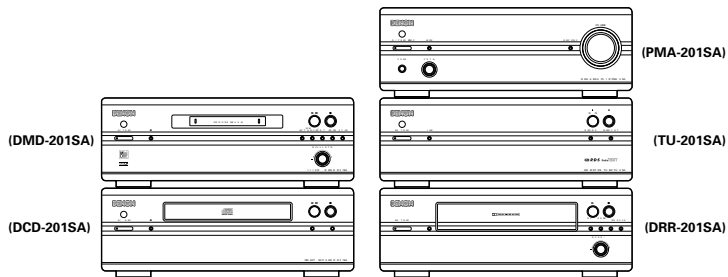
NEDERLANDS

Systeembedieningen

- Systeembedieningen zoals timergestuurde opname/weergave en automatisch inschakelen werken alleen als stereo audiosnoeren en systeemsnoeren tussen alle systeemcomponenten zijn gebruikt. Sluit alle snoeren tussen alle toestellen goed aan.
- Als u een systeemsnoer losmaakt terwijl het systeem wordt gebruikt, kan dit tot slechte werking leiden. Trek de stroomsnoeren altijd uit voordat u de aansluitingen wijzigt.

Aanbevolen systeeminstallatie

- Voor de beste prestaties en stabiliteit installeert u het systeem (201SA-reeks) bij voorkeur zoals hieronder afgebeeld.



- * Plaats geen andere componenten rechtstreeks op de PMA-201SA. Om afkoeling mogelijk te maken moet u ten minste 10 cm boven de PMA-201SA vrij laten om de ventilatieopeningen niet te blokkeren.
- * Om de stabiliteit niet in gevaar te brengen mag u niet meer dan drie componenten op elkaar plaatsen.

Aansluitingen van het luidsprekersysteem

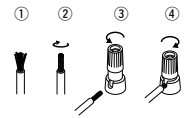
Luidsprekerimpedantie

Gebruik luidsprekers met een impedantie van 4 tot 16 Ω /ohm.

- Als u luidsprekers met een andere impedantie gebruikt, zal het beveiligingscircuit worden ingeschakeld en kunnen zij schade oplopen.

Aansluiten van de luidsprekersnoeren.

- ① Verwijder de isolatie van het uiteinde van het snoer.
- ② Strengel de kernraden in elkaar.
- ③ Draai de luidsprekerklem in tegenwijzerzin om los te draaien.
- ④ Steek de kernraden volledig in de klem en draai de klem in wijzerzin om vast te zetten.



Ⓢ Sluit de snoeren die de luidsprekerklemmen verbinden met de luidsprekersystemen aan met de juiste polariteiten (+ op +, - op -). Indien u dit niet doet, zal de centrale klank zwak klinken en is de positie van de verschillende instrumenten onduidelijk, met nefaste gevolgen voor het stereo-effect.

Ⓢ Zorg er bij het aansluiten van de luidsprekers voor dat de kernraden van de luidsprekersnoeren niet uit de klemmen steken en met andere klemmen, met elkaar of met het achterpaneel in contact komen.

OPMERKING:

- Raak **NOOIT** de luidsprekerklemmen aan wanneer de spanning is ingeschakeld. Dit zou kunnen resulteren in een elektrische schok.

Beschermingscircuit

Dit toestel is uitgerust met een snel werkend beschermingscircuit. Dit circuit beschermt het interne schakelplan tegen beschadigingen tengevolge van grote spanningsstromen indien de luidsprekerklemmen niet volledig zijn aangesloten of indien een uitvoer wordt opgewekt door kortsluiting. De werking van dit beschermingscircuit schakelt de uitvoer naar de luidsprekers uit. Indien dit gebeurt dient u de spanning naar het toestel uit te schakelen en de aansluitingen op de luidsprekers te controleren.

Daarna schakelt u de spanning weer in. Nadat het geluid een paar seconden is gedempt, zal het toestel normaal gaan werken.

6 NAMEN EN FUNCTIES VAN ONDERDELEN

(1) Voorpaneel

1 Spanningstoets (ON/STANDBY OFF)

- Wanneer u op de toets drukt en op "ON" zet, wordt het toestel ingeschakeld en beginnen de indicator en het display te branden. Het geluid wordt na het inschakelen enkele seconden gedempt.
- Wanneer u opnieuw op de toets drukt en hem op "OFF" zet, wordt het toestel uitgeschakeld.
- De kleur van de indicator verandert naar gelang van de modus, te weten:

Spanningsschakelaar hoofdtoestel	Stand hoofdtoestel	LED
ON ()	In werking	Licht (g oen)
	Demping	Knippert (g oen)
	Stand-by	Licht (ood)
OFF ()		Uit

*De dempingsfunctie wordt gedurende enkele seconden ingeschakeld zodra de netchakelaar van het toestel op ON () wordt gezet of wanneer het toestel met behulp van de afstandsbediening van stand-by wordt gehaald. De LED knippert rood tijdens de dempingsstand, houdt vervolgens op met knipperen en blijft branden zodra het toestel opnieuw kan worden bediend.

*Als de indicator oranje is en knippert (snel): Het beveiligingscircuit is ingeschakeld. Als dit gebeurt, zet de spanningstoets op "OFF" zodat de indicator wordt uitgeschakeld, en controleer vervolgens de invoer- en uitvoeraansluitpunten op het achtere paneel.

Controleer vooral de luidsprekersnoeren op kortsluiting. Schakel het toestel opnieuw in zodra alle aansluitingen correct zijn gemaakt. (Wacht ten minste 10 seconden nadat u het toestel hebt uitgeschakeld alvorens u het opnieuw inschakelt.)

• Wanneer de PMA-201SA in een systeem met de 201SA-reeks is aangesloten, schakelt u de spanning voor het volledige systeem in/uit met de spanningstoets van de PMA-201SA. Wanneer de spanning van de PMA-201SA wordt ingeschakeld, wordt de spanning van alle aangesloten systeemtoestellen ook ingeschakeld.

*De PMA-201SA krijgt stroom, zelfs in de standby-modus (laag stroomverbruik).

2 PHONES (Aansluitbus voor koptelefoon)

- Sluit een koptelefoon (niet meegeleverd) aan op deze aansluitbus als u naar muziek wilt luisteren maar uw huisgenoten niet wilt storen.
- Wanneer de stekker van de koptelefoon in de aansluiting steekt, wordt het geluid van de luidsprekers automatisch uitgeschakeld en u hoort dus niets meer uit de luidsprekers.

3 REMOTE SENSOR (Ontvanger afstandsbediening)

Deze ontvanger ontvangt het infrarood-licht dat wo dt ove geseind vanuit de draadloze afstandsbediening. Richt de draadloze afstandsbediening op de ontvanger voor de bediening van het toestel.

4 Functiekiezer (FUNCTION)

- Verandert de invoerfunctie. Ook gebruikt om de modi in te stellen die u met de modustoets hebt geselecteerd. (Zie pagina 49 tot 50)

5 Modustoets (MODE)

- Hiermee stelt u de lage tonen, hoge tonen en het balansniveau in. (Zie pagina 49, 50.)
- Hiermee schakelt u de loudness-functie in of uit. (Zie pagina 49.)
- Hiermee stelt u het luidsprekersysteem in. (Zie pagina 50.)

6 Display

Zie pagina 47.

7 SOURCE DIRECT (Brondirect-schakelaar)

De regelaars BASS, TREBLE, LOUDNESS en BALANCE (lage tonen, hoge tonen en balans) kunnen worden gebruikt wanneer deze schakelaar in de stand OFF staat.

In de stand ON worden bovenstaande regelaars genegeerd en worden de signalen rechtstreeks naar het volumeregelaar gevoerd voor een klank van hoge kwaliteit.

8 VOLUME (Volumeregelaar)

- Deze regelaar wordt gebruikt om het volume van beide kanalen te regelen.
- Door de regelaar naar rechts te draaien verhoogt u het volume en door naar links te draaien verlaagt u het volume.

(2) Achterpaneel

9 SIGNAL GND-aansluitpunt (aarding)

- Sluit hierop het aardingssnoer van de draaitafel aan.

OPMERKING:

- Deze klem wordt gebruikt om ruis te onderdrukken wanneer een platenspeler enz. is aangesloten.
- De klem is niet volledig geaard.

10 INPUT-aansluitpunten (INPUTS)

Dit zijn de invoeraansluitpunten voor een cd-speler, draaitafel, tuner, dvd of een ander weergavecomponent.

AUX-2:

- Hierop sluit u een videodeck of een ander component aan.

11 TAPE- en MD REC-aansluitpunten (REC)

- Opnameaansluitpunten (REC)
- Dit zijn uitvoeraansluitingen voor opname.
- TAPE:
 - Hierop sluit u een cassette-deck aan.
- MD:
 - Hierop sluit u een MD-recorder aan.

12 Netsnoer

- Steek de stekker van het netsnoer in een stopcontact.

13 SPEAKER SYSTEMS-aansluitpunten

- Sluit hierop de luidsprekersystemen aan.

14 Systeemconnectors (SYSTEM CONNECTOR 1 en 2)

- Wanneer u de 201SA-reeks in een systeem aansluit, moet u deze connectors op de systeemconnectors van andere systeemcomponenten aansluiten. (Gebruik de systeemconnectors die bij de andere componenten werden geleverd.)

15 TAPE- en MD PLAY-aansluitpunten (PB)

- Weergaveaansluitpunten (PB)

(3) Display [6]

16 Hoofddisplaydeel

- Hier worden de functie, invoerprogramma, enz. weergegeven.
- Bij normale bediening wordt hier de invoerprogramma weergegeven.
- Wanneer u op de modustoets drukt, verschijnen de verschillende functies achtereenvolgens op het display.

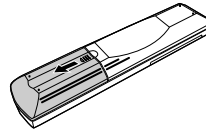
7 SYSTEEMAFSTANDSBEDIENING

- Met de bijgeleverde afstandsbediening (RC-906) kunt u de belangrijkste functies gebruiken van de toestellen van de 201SA-reeks die met systeemansluitingen zijn aangesloten. Deze afstandsbediening kan niet met andere componenten worden gebruikt.

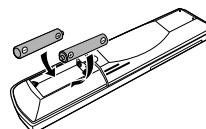
Sommige functies werken mogelijk niet met een systeemafstandsbediening. Gebruik in dit geval de afstandsbediening die bij het component wordt geleverd.

(1) Inleggen van batterijen

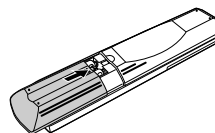
- 1 Verwijder het deksel op de achterkant van de afstandsbediening.



- 2 Leg twee R03/AAA batterijen in de aangegeven richting in het batterijencompartiment.



- 3 Plaats het deksel terug.

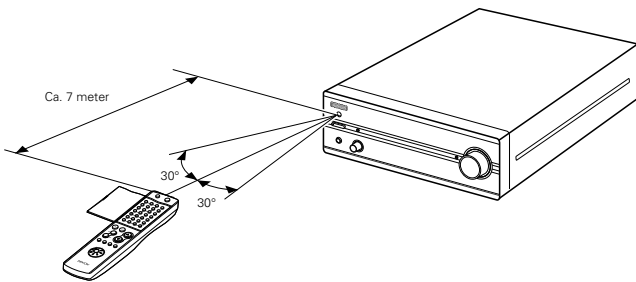


Opmerkingen betreffende batterijen

- Gebruik batterijen van het type R03/AAA in de afstandsbediening.
- De batterijen moeten normaal eenmaal per jaar door nieuwe worden vervangen, maar dit hangt af van de gebruiksfrequentie.
- Vervang de batterijen door nieuwe als het toestel niet werkt wanneer het van dicht bij met de afstandsbediening wordt bediend, ook als de batterijen minder dan één jaar oud zijn. (Met de bijgeleverde batterij kunt u alleen controleren of alles werkt. Vervang de batterij zo gauw mogelijk)
- Leg de batterijen in de juiste richting in, zoals aangegeven door de "+" en "-" aanduidingen in het batterijvak.
- Om beschadiging of lekken van batterijvloeistof te voorkomen:
 - Een nieuwe batterij niet samen met een oude gebruiken.
 - Geen twee verschillende soorten batterijen gebruiken.
 - Batterijen nooit kortsluiten, uit elkaar nemen, opwarmen of in het vuur gooien.
- Neem de batterijen uit de afstandsbediening als u van plan bent deze gedurende lange tijd niet te gebruiken.
- Als er vloeistof uit de batterijen is gelekt, moet u het batterijvak grondig schoonmaken en nieuwe batterijen inleggen.

NEDERLANDS

(2) Gebruik van de afstandsbediening



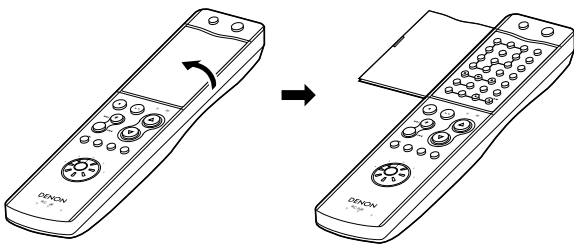
OPMERKINGEN:

- Het gebruik van de afstandsbediening kan worden bemoeilijkt wanneer de sensor is blootgesteld aan direct zonlicht of sterk kunstlicht.
- Druk de toetsen op het hoofdtoestel en op de afstandsbediening niet tegelijkertijd in. Dit kan leiden tot storingen.
- Neonlicht of andere apparaten in de buurt die pulsstoringen opwekken kunnen leiden tot slechte werking van het toestel. Houd daarom het toestel zo ver mogelijk uit de buurt van dergelijke bronnen.

- Richt de afstandsbediening naar de sensor op het hoofdtoestel zoals getoond op de afbeelding.
- De afstandsbediening kan worden gebruikt tot op een rechtlijnige afstand van ca. 7 metervan het hoofdtoestel, maar deze afstand zal korter zijn als er obstakels in de weg zitten of als de afstandsbediening niet goed naar de sensor wordt gericht.
- De afstandsbediening kan worden bediend in een horizontale hoek van max. 30 graden ten opzichte van de sensor.

(3) Namen en functies van toetsen op de afstandsbediening

■ Het deksel van de afstandsbediening openen



- Toetsen die hier niet worden besproken werken op dezelfde manier als de overeenkomstige toetsen op het hoofdtoestel.

Spanning-standbytoets (SYSTEM POWER STANDBY)

Druk op deze toets om de PMA-201SA in standby te schakelen. (Wanneer het toestel in een systeem met de 201SA-reeks is aangesloten, schakelt u met deze toets de spanning voor het volledige systeem in standby.)

Bij iedere druk op de toets verandert de functie als volgt:

Wanneer u op deze toets drukt terwijl de PMA-201SA in standby staat, wordt de PMA-201SA ingeschakeld. (Wanneer het toestel in een systeem met de 201SA-reeks is aangesloten, schakelt u met deze toets de spanning voor het volledige systeem in.)

201SA-reeks functiewerkingsblok

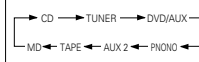
Wanneer het toestel in een systeem met de 201SA-reeks is aangesloten, bedient u met deze toetsen de verschillende aangesloten systeemcomponenten. Zie de handleidingen van de verschillende componenten voor de gebruiksaanwijzing.

DIMMER-toets

Gebruik deze functie om de helderheid van het display te veranderen. De helderheid van het display verandert in vier stappen (helder, gewoon, dof en uit) telkens wanneer de DIMMER-toets op de afstandsbediening wordt ingedrukt.

FUNCTION-toets

Druk op deze toets om de functiebalk voor de weergave te selecteren. Bij iedere druk op de toets verandert de functie als volgt:

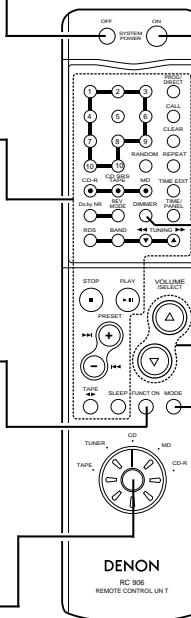


VOLUME/SELECT-toetsen

- Druk op Δ om het volume te verhogen of op ∇ om het te verlagen.
- Met deze toetsen stelt u tevens de verschillende modi in.

Functiekeuzeschakelaar afstandsbediening

Druk op deze toets om de gewenste functie te selecteren met deze afstandsbediening. Zie de respectievelijke handleidingen voor instructies over het gebruik van de verschillende componenten.



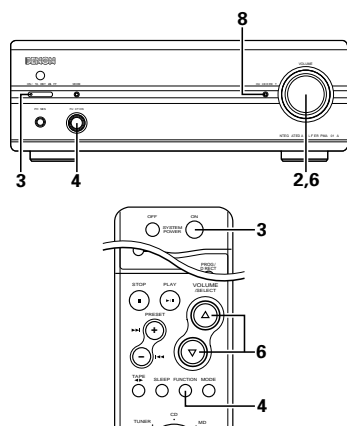
MODE-toets

Modellen die compatibel zijn met de systeemafstandsbediening

- Voorversterker : PMA-201SA
- Tuner : TU-201SA
- Cd-speler : DCD-201SA
- Cassette-deck : DRR-201SA
- MD-reco der : DMD-201SA

8 BEDIENING

(1) Opname



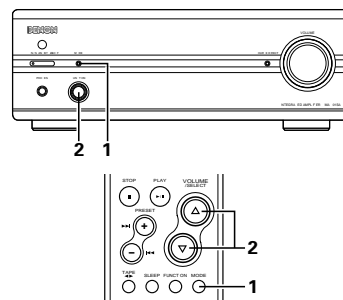
1	Controleer of alle aansluitingen juist zijn.
2	Draai de volumeknop u naar links (◊) in de minimumstand.
3	Schakel de spanning in. <ul style="list-style-type: none"> De indicator is eerst rood en knippert; vervolgens wordt hij groen en stopt met knipperen (blijft branden). <p>■ Ingeschakelde/standby-modus en functiegeheugen</p> <ul style="list-style-type: none"> Wanneer u met de afstandsbediening de PMA-201SA vanuit de standby-modus inschakelt, wordt de functie ingesteld die actief was toen u het toestel in standby zette. (Laatste geheugenfunctie) Als de functie niet meer in het geheugen zit, wordt "CD" ingesteld zodra de PMA-201SA wo dt ingeschakeld.

4	Draai de FUNCTION-schijf op het hoofdtoestel of druk op de FUNCTION-toets van de afstandsbediening om de functiebron voor de weergave te selecteren. <ul style="list-style-type: none"> De functie verandert als volgt. *Wanneer u de schijf naar links (◊) draait, verandert de functie in omgekeerde volgorde.
5	Start de weergave op de gekozen component. <ul style="list-style-type: none"> Raadpleeg de gebruiksaanwijzing van de component voor bedieningsinstructies.
6	Regel het volume.
7	Stel de BALANCE-, BASS- en TREBLE-regelaars in en stel LOUDNESS naar wens in. <ul style="list-style-type: none"> *Zie "(2) De verschillende modi instellen" op pagina 49, 50 voor instructies over het regelen.
8	De source direct-functie gebruiken: Zet de SOURCE DIRECT-toets op "ON".

NEDERLANDS

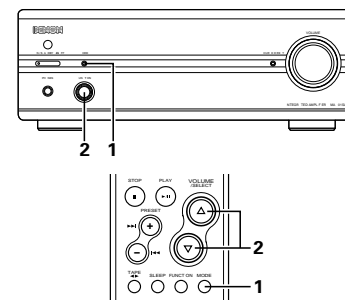
(2) De verschillende modi instellen

[1] Lage en hoge tonen regelen



1	Druk op de MODE-toets totdat de modus die u wilt regelen op het display verschijnt ("BASS" of "TREBLE"). <p>• Bij iedere druk op de toets verandert de modus als volgt:</p> <p>*Wanneer de source direct-modus is ingeschakeld, verandert de modus zoals hieronder aangegeven de BASS en TREBLE-regelmodi kunt u niet selecteren.</p>
2	Draai de FUNCTION-schijf op het hoofdtoestel of druk op de SELECT-toetsen van de afstandsbediening. <p>• Lage of hoge tonen versterken: Draai de schijf naar rechts (◻) of druk op de Δ-toets.</p> <p>Lage of hoge tonen afzwakken: Draai de schijf naar links (◊) of druk op de ▽-toets.</p> <p>• U kunt de lage en hoge tonen van -12 tot 0 tot +12 instellen in stappen van 2. Bij 0 is de respons vlak.</p>

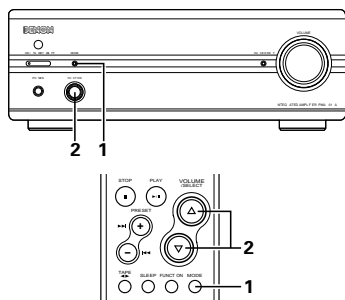
[2] Loudness-modus instellen



1	Druk op de MODE-toets zodat "LOUDNESS" op het display verschijnt. <p>• Bij iedere druk op de toets verandert de modus zoals links afgebeeld. <ul style="list-style-type: none"> *Wanneer de source direct-modus is ingeschakeld, kunt u "LOUDNESS" niet selecteren. </p>
2	Draai de FUNCTION-schijf op het hoofdtoestel of druk op de SELECT-toetsen van de afstandsbediening. <p>• Inschakelen ("ON"): Draai de schijf naar rechts (◻) of druk op de Δ-toets.</p> <p>Uitschakelen ("OFF"): Draai de schijf naar links (◊) of druk op de ▽-toets.</p> <p>OPMERKING: In totaal is de maximale volumeverhoging voor lage tonen, hoge tonen en loudness +12. Als u bijvoorbeeld de lage en hoge tonen op +12 instelt, zal de klank niet veranderen wanneer u de loudness-functie in- en uitschakelt.</p>

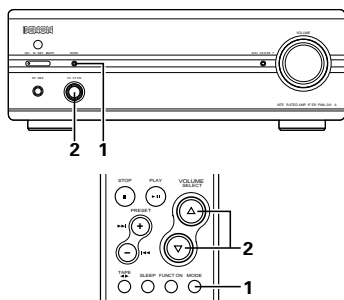
NEDERLANDS

[3] Luidsprekermodus instellen



1	<p>Druk op de MODE-toets zodat "SPEAKER" op het display verschijnt.</p> <ul style="list-style-type: none"> Bij iedere druk op de toets verandert de modus zoals links afgebeeld. <div style="display: flex; justify-content: space-around; align-items: center;"> <div style="text-align: center;"> <small>MODE</small> <small>(Hoofdtoestel)</small> </div> <div style="text-align: center;"> <small>MODE</small> <small>(Afstandsbediening)</small> </div> </div>
2	<p>Draai de FUNCTION-schijf op het hoofdtoestel of druk op de SELECT-toetsen van de afstandsbediening.</p> <div style="display: flex; justify-content: space-around; align-items: center;"> <div style="text-align: center;"> <small>FUNCTION</small> <small>(OFF) (ON)</small> <small>(Hoofdtoestel)</small> </div> <div style="text-align: center;"> <small>VOLUME SELECT</small> <small>(OFF) (ON)</small> <small>(Afstandsbediening)</small> </div> </div> <ul style="list-style-type: none"> Inschakelen ("ON"): Draai de schijf naar rechts (Q) of druk op de Δ-toets. Uitschakelen ("OFF"): Draai de schijf naar links (Ω) of druk op de ∇-toets.

[4] Balans regelen



1	<p>Druk op de MODE-toets zodat "BALANCE" op het display verschijnt.</p> <div style="display: flex; justify-content: space-around; align-items: center;"> <div style="text-align: center;"> <small>MODE</small> <small>(Hoofdtoestel)</small> </div> <div style="text-align: center;"> <small>MODE</small> <small>(Afstandsbediening)</small> </div> </div> <ul style="list-style-type: none"> Bij iedere druk op de toets verandert de modus zoals links afgebeeld. *Wanneer de source direct-modus is ingeschakeld, kunt u "BALANCE" niet selecteren.
2	<p>Draai de FUNCTION-schijf op het hoofdtoestel of druk op de SELECT-toetsen van de afstandsbediening.</p> <div style="display: flex; justify-content: space-around; align-items: center;"> <div style="text-align: center;"> <small>FUNCTION</small> <small>(Hoofdtoestel)</small> </div> <div style="text-align: center;"> <small>VOLUME SELECT</small> <small>(Afstandsbediening)</small> </div> </div> <ul style="list-style-type: none"> Als het volume van de rechterluidspreker te laag is: Draai de schijf naar rechts (Q) of druk op de Δ-toets. Als het volume van de linker luidspreker te laag is: Draai de schijf naar links (Ω) of druk op de ∇-toets. U kunt de balans op "CENTER" instellen of van +1 tot +10 in stappen van 1 regelen. Als dit op "CENTER" staat, is er geen verschil in volume tussen de linker- en rechterluidspreker.

9 SYSTEEMFUNCTIES

- De bediening wordt nog gemakkelijker wanneer de componenten van de 201SA-reeks met systeemaansluitingen op de PMA-201SA zijn aangesloten. (Voor instructies over aansluitingen verwijzen wij u naar "AANSLUITINGEN" op pagina 45, 46.)
- Alle systeemfunctiesignalen voor de bediening van de componenten van de 201SA-reeks worden verstuurd vanaf de PMA-201SA; sluit dus zeker de PMA-201SA aan wanneer u systeemaansluitingen maakt.
- De systeemfuncties werken alleen wanneer componenten van de 201SA-reeks zijn aangesloten. Zij werken niet met andere componenten.
- Wanneer u systeemaansluitingen hebt gemaakt, kunt u de hieronder beschreven systeemfuncties gebruiken.
 - (1) Met de systeemafstandsbediening (RC-906) die bij de PMA-201SA wordt geleverd kunt u de belangrijkste functies van de andere componenten gebruiken.
 - (2) De afstandsbedieningssignalen van de andere componenten worden ontvangen door de afstandsbedieningssensor van de PMA-201SA.
 - (3) **Automatische inschakelfunctie:**
Wanneer het systeem in de standby-modus staat, wordt de spanning automatisch ingeschakeld zodra u op de PLAY/PAUSE-toets (▶ ||) van de cd-speler (DCD-201SA), het cassettedeck (DRR-201SA) of de MD-reco der (DMD-201SA) drukt, en begint de weergave. Als u bovendien op één van de voorkeuzetoetsen (PRESET UP of DOWN) van de tuner TU-201SA drukt, wordt de tuner ingeschakeld en kunt u de radio beluisteren.
 - (4) **Automatische functiekeuze:**
De functie wordt automatisch omgeschakeld wanneer u op de PLAY/PAUSE-toets (▶ ||) van de cd-speler (DCD-201SA), het cassettedeck (DRR-201SA) of de MD-reco der (DMD-201SA) drukt, en de weergave begint.
 - (5) **CD-synchroonopname:**
Met een eenvoudige druk op de CD SRS-toets op het cassettedeck kunt met het cassettedeck (DRR-201SA) of met de MD-recorder (DMD-201SA) cd's opnemen.
 - (6) **Simultaanopname:**
Wanneer u op de PLAY/PAUSE-toets (▶ ||) van de cd-speler (DCD-201SA) drukt terwijl het cassettedeck (DRR-201SA) of de MD-reco der (DMD-201SA) in de opnamepauzemode staat, begint de weergave.
 - (7) **Timerfuncties:**
U kunt de timerfuncties van de tuner TU-201SA gebruiken om op een bepaald tijdstip de radio te laten spelen of om radioprogramma's op te nemen. U kunt eveneens de slaaptimer gebruiken.
- Zie de gebruiksaanwijzing van de componenten voor instructies over de verschillende bedieningen.

10 VERHELPEN VAN PROBLEMEN

Controleer het volgende alvorens te veronderstellen dat er een probleem is met het toestel.

1. Zijn alle aansluitingen correct ?
2. Wordt het toestel gebruikt volgens de bedieningsinstructies ?
3. Worden de luidsprekers en de ingangselementen juist bediend ?

Als het toestel niet lijkt te werken zoals het hoort, controleer dan onderstaande punten. Als geen van deze punten van toepassing is, is het toestel mogelijk defect. Schakel de spanning onmiddellijk uit en wend u tot uw verkooppunt.

Symptomen	Oorzaak	Maatregelen	Bladzijde
POWER LED licht niet op en er is geen geluid wanneer de POWER-schakelaar wordt ingeschakeld.	<ul style="list-style-type: none"> Het netsnoer is niet aangesloten. 	<ul style="list-style-type: none"> Controleer of de stekker in het contact steekt. 	45, 47
POWER LED licht op, maar er is geen geluid.	<ul style="list-style-type: none"> De luidsprekersnoeren zijn slecht aangesloten. De INPUT SELECTOR (ingangskouzeschakelaar) staat niet in de juiste stand. De VOLUME-regelaar is omlaag gedraaid. 	<ul style="list-style-type: none"> Sluit goed aan. Zet in de juiste stand. Stel in op een geschikt niveau. 	45, 46 49 49
De klank komt slechts van één kant.	<ul style="list-style-type: none"> De luidsprekersnoeren zijn slecht aangesloten. De ingangssnoeren zijn slecht aangesloten. Links/rechts-balans verkeerd ingesteld. 	<ul style="list-style-type: none"> Sluit goed aan. Sluit goed aan. Stel de BALANCE-regelaar (balans) in. 	46 45 50
Volumeniveau van tuner en platenspeler is niet hetzelfde.	<ul style="list-style-type: none"> Tuner- en platenspeleruitgangen verschillen van elkaar. 	<ul style="list-style-type: none"> Pas de uitgang van de tuner aan aan de uitgang van de platenspeler als de tuner voorzien is van een uitgangsregelaar. 	—
Posities van instrumenten omgekeerd bij stereobronnen.	<ul style="list-style-type: none"> Linkse en rechte luidspreker- of ingangssnoeren zijn verwisseld. 	<ul style="list-style-type: none"> Controleer de aansluitingen links/rechts. 	45, 46
U hoort een dreunend geluid tijdens het afspelen van grammofoonplaten.	<ul style="list-style-type: none"> Aardingsnoer van platenspeler is niet aangesloten. Ingangssnoeren slecht aangesloten op de PHONO-klemmen gebruik. Storing door een TV of een ander elektrisch apparaat in de buurt van de platenspeler. 	<ul style="list-style-type: none"> Sluit goed aan. Sluit goed aan. Verander van installatieplaats. 	45 45 —
U hoort een fluittoon wanneer u het volume omhoog draait tijdens het afspelen van grammofoonplaten.	<ul style="list-style-type: none"> De platenspeler en de luidsprekersystemen staan te dicht bij elkaar. Vloer is zacht en sterk onderhevig aan trillingen. 	<ul style="list-style-type: none"> Zet de luidsprekersystemen zo ver mogelijk van de platenspeler. Gebruik een kussen om de trillingen die van de vloer worden overgebracht naar de luidsprekers op te vangen. Als de platenspeler niet is uitgerust met isolatoren, moet u audio-isolatoren, verkrijgbaar in audiozaken, gebruiken. 	— —
Geluid is vervormd.	<ul style="list-style-type: none"> Naalddruk niet sterk genoeg. Vuil op het puntje van de naald. Defect platenspelerelement. 	<ul style="list-style-type: none"> Zorg voor de juiste druk. Controleer het puntje van de naald. Vervang het element. 	— — —
Dit toestel werkt niet naar behoren wanneer de afstandsbediening wordt gebruikt.	<ul style="list-style-type: none"> Batterijen zijn leeg. Afstandsbediening te ver van het toestel. Obstakel tussen dit toestel en de afstandsbediening. De verkeerde toets wordt ingedrukt. De ⊕ en ⊖ polen van de batterij liggen in de verkeerde richting. 	<ul style="list-style-type: none"> Vervang de batterijen. Breng de afstandsbediening dichterbij. Verwijder het obstakel. Druk op de juiste toets. Leg de batterijen juist in. 	47 48 48 48 47

11 TECHNISCHE GEGEVENS

■ VERMOGENSVERSTERKERGEDEELTE

Nominaal uitgangsvermogen:

50 W + 50 W (4 Ω/ohm belasting, DIN, 1 kHz, totale harmonische, vervorming 0,7%)
4 tot 16 Ω/ohm

Uitgangsklemmen:

• VOORVERSTERKERGEDEELTE

Nominale uitgang:

150 mV (opname uitgangsaansluiting)

Ingangsgevoeligheid/

Ingangsimpedantie:

PHONO: 2,5 mV/47 kΩ/kohm

CD, TUNER, DVD/AUX,

TAPE, MD, AUX-2: 100 mV/16 kΩ/kohm

PHONO: 20 Hz ~ 20 kHz ±0,5 dB

Variación RIAA:

• GLOBALE KENMERKEN

Signaal-tot-ruis verhouding

(IHF A netwerk):

PHONO: 80 dB (bij een invoer van 5 mV)
(ingangsaansluitingen kortgesloten)

CD, TUNER, DVD/AUX,

TAPE, MD, AUX-2: 102 dB (SOURCE DIRECT: ON)

5 Hz ~ 100 kHz : +0, -3 dB (SOURCE DIRECT: ON)

Lage tonen (BASS): 100 Hz ±8 dB

Hoge tonen (TREBLE): 10 kHz ±8 dB

Loudness (LOUDNESS): 100 Hz +6 dB

10 kHz +4 dB

• ANDERE

Voedingsbron:

Stroomverbruik:

230 V Wisselstroom, 50 Hz

110 W

(Ongeveer 1 W in standby-modus)

250 (B) X 90 (H) X 371 (D) mm

6,0 kg

• AFSTANDBEDIENING (RC-906)

Afstandsbedieningssysteem:

Voeding:

Buitenafmetingen:

Gewicht:

Infrarood-impulssysteem

3 V gelijkstroom, twee R03 ("AAA")

48 (B) X 210 (H) X 29 (D) mm

120 g

(batterijen inbegrepen)

* De maximale afmetingen omvatten regelars, aansluitingen en afdekkingen.

(B) = breedte, (H) = hoogte, (D) = diepte


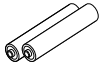
• Technische gegevens en functies zijn onder voorbehoud en kunnen zonder kennisgeving worden gewijzigd met het oog op verbeteringen.

INNEHÅLL

1	EGENSKAPER	52	7	SYSTEMFJÄRRKONTROLL	55, 56
2	INNAN DU BÖRJAR	52	8	MANÖVRERING	57, 58
3	VIKTIGA PUNKTER VID INSTALLATIONEN	52	9	SYSTEMFUNKTIONER	58
4	VIKTIGT VID ANVÄNDNINGEN	52	10	FELSÖKNING	59
5	ANSLUTNING	53, 54	11	SPECIFIKATIONER	59
6	DELARNAS NAMN OCH FUNKTIONER	55			

TILLBEHÖR

Kontrollera att du förutom huvudapparaten har fått med följande detaljer:

① Remote control unit (RC-906)	1		②	
② R03/AAA batterier	2			
③ Bruksanvisning	1			
④ Lista över serviceställen	1			

1 EGENSKAPER

1. HC-TR-utgångskrets för mjukt, men kraftigt ljud

En enkel mottaktskoppling, som bygger på en HC-TR (High Current-transistor) med samma principer som den UHC-MOS som används i POA-S1, DENONS främsta monoslutsteg, ger både stabil och hög strömförsörjning tillsammans med en extremt linjär lågnivåsignal. Resultatet är stora strömreserver kopplade med framstående detaljrikedom.

2. Kraftfull strömkrets som kan ge uttryck för HC-TR-utgångskretsen rika nyanser

Den extra kraftfulla st ömkretsen, som består av höghastighets likriktare och stora högkvalitativa ljudkondensatorer, gör det möjligt för HC-transistorernas utgångskrets att nå maximala prestanda.

3. S.L.D.C.

PMA-201SA använder en S.L.D.C. (Signal Level Divided Construction) med idealisk separering av de olika kretsarna (lågnivå signalkretsen, högnivå signalkretsen, mikrodotorkretsen osv.).

4. Source Direct-funktion ger förbättrad ljudkvalitet

PMA-201SA har en Source Direct-funktion som fö bikopplar bas-, diskant-, loudness- och balanskretsarna för att ge en absolut rak signalväg och därigenom bidra till ren ljudåte givning utan någon som helst påverkan av signalen.

5. Systemfjärrkontroll

PMA-201SA levereras med en systemfjärrkontroll som kan användas för att styra de olika komponenterna i 201SA-serien (CD-spelare, MD-spelare, CD-inspelare, kassettdäck och tuner förutsatt att systemanslutningarna används).

6. Låg strömförbrukning i beredskapsläge

Strömförbrukningen är 1 W eller mindre när apparaten står i beredskapsläget.

2 INNAN DU BÖRJAR

Läs noga igenom följande punkter innan du börjar använda utrustningen:

• Flyttning av utrustningen

För att undvika kortslutning och skador på anslutningskablarna är det viktigt att alltid dra ur nätsladden ur vägguttaget, samt att dra ur alla anslutningskablar till övriga apparater innan apparaten flyttas.

• Innan du slår på strömmen

Gör en sista kontroll av att alla anslutningar är riktigt gjorda och att det inte är något fel på anslutningskablarna. Kom ihåg att alltid ställa strömbrytaren i standbyläge innan du drar ur eller ansluter några kablar.

• Förvara bruksanvisningen säkert.

Lägg bruksanvisningen och garan ibeviset på ett säkert ställe när du har läst igenom dem.

• För att illustrationerna i bruksanvisningen skall vara så tydliga som möjligt kan de avvika från utrustningens verkliga utseende.

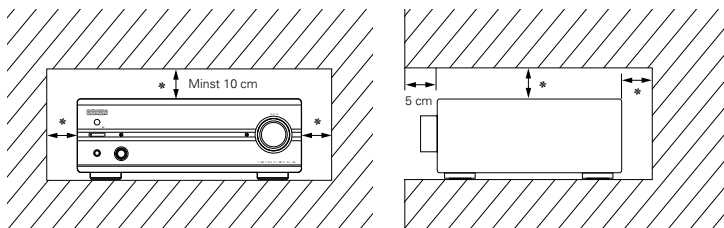
3 VIKTIGA PUNKTER VID INSTALLATIONEN

Om denna eller annan elektronisk utrustning som innehåller mikroprocessorer står påslagen alltför nära en tuner eller TV kan det uppstå brus i ljudet eller bilden. Gör så här om detta händer:

- Flytta apparaten så långt som möjligt från tunern eller TV'n.
- Dra antennkablarna till tunern eller TV'n längre bort från nät- och anslutningskablarna till den här apparaten.

• P oblemets är ofta särskilt märkbart vid användning av inomhusantenn eller 300 Ω/ohmiga matarkablar. **Vi rekommenderar därför utomhusantenn och 75 Ω/ohmiga koaxialkablar.**

För att undvika överhettning måste minst 10 cm fritt utrymme till väggar och annan utrustning lämnas ovanför, bakom och på sidorna av denna apparat.



4 VIKTIGT VID ANVÄNDNINGEN

• Omkoppling av signalväljaren när signalingångarna inte är anslutna

Det kan höras ett klickande ljud om du ställer om signalväljaren och du inte har anslutit någon utrustning till signalingångarna. Om detta händer kan du antingen vrida ner MASTER VOLUME (ljudstyrkekontrollen) eller ansluta en apparat till ingångarna.

Var noga med att dra ur stickproppen ur vägguttaget om du åker bort under en längre tid, t ex på semester.

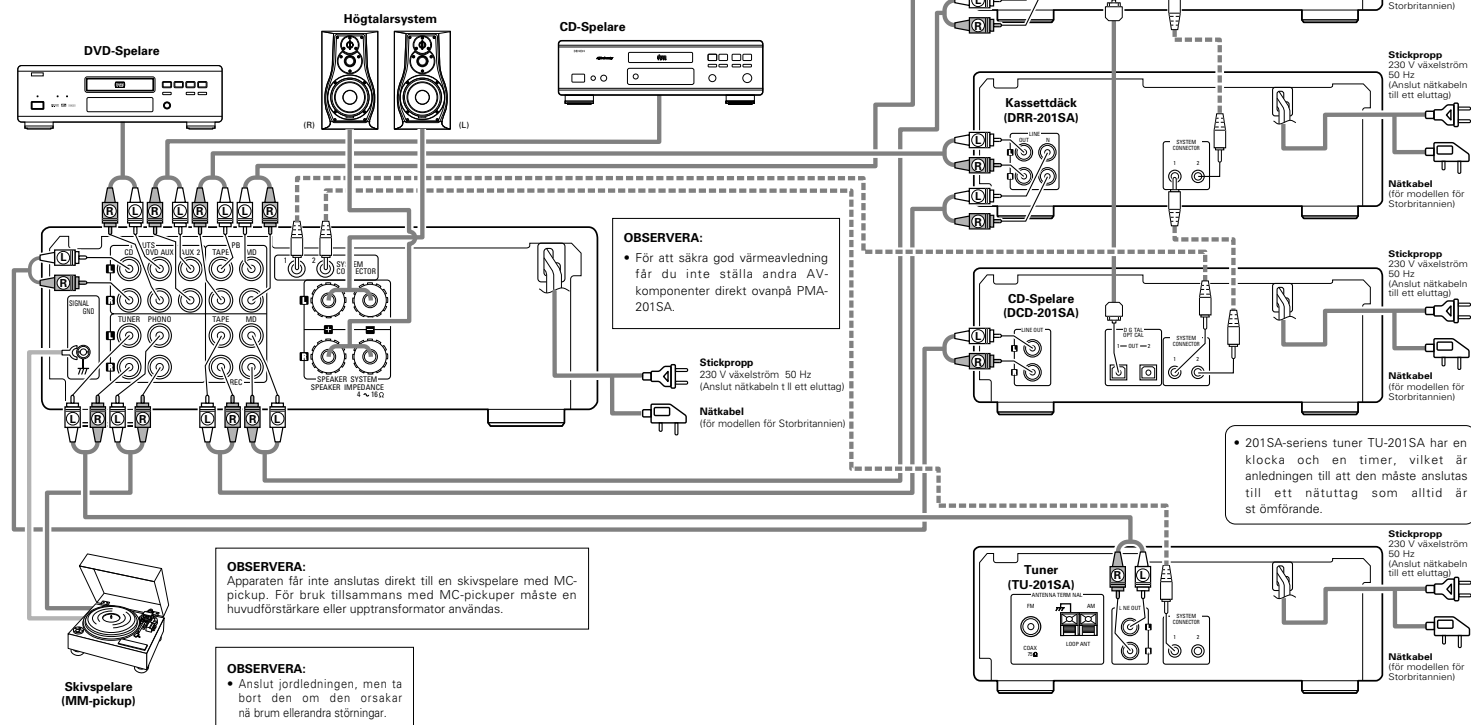
5 ANSLUTNING

- Se även de andra komponenternas bruksanvisningar när anslutningarna görs.
- Vid anslutning till andra komponenter i 2015A-serien skall systemanslutningarna göras enligt de prickiga linjerna på bilden nedan.
- PMA-2015A levereras inte med några anslutningskablar. Använd anslutningskablar som medföljer de andra komponenterna som ansluts till PMA-2015A.

OBSERVERA:

- Sätt inte i stickp open i väggen förrän alla andra kabla har anslutits.
- Se till att höger och vänster kanaler ansluts korrekt (vänster till vänster och höger till höger)
- Skjut in kontaktarna ordentligt. Glapp i anslutningarna orsakar störningar.
- Lägg märke till att nätbrum och andra störningar uppstår om signalkablarna dras för nära några nätsladdar eller ligger i närheten av en nättransformator.
- PHONO-ingångarna (skivspelare) är mycket känsliga. Vid därför inte upp ljudet om ingen signalkabel har anslutits till dessa ingångar. Detta kan orsaka induktionsbrum från högtalarna.
- Det kan hända att ljudet från en annan komponent hörs om ingen anslutning har gjorts till de ingångar som valts med FUNCTION-väljaren.

- Vid anslutning till andra komponenter i 2015A-serien, skall du även ansluta systemkabeln till PMA-2015A:s systemanslutning (antingen 1 eller 2). Koppla även ihop de andra komponenterna på samma sätt. (Systemanslutningarna indikeras med prickiga linjer i anslutningsschemat)



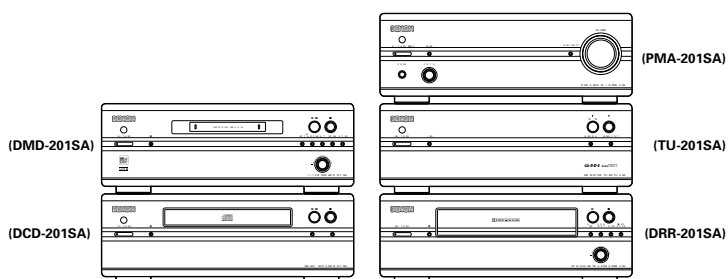
SVENSKA

Systemanvändning

- Systemfunktioner som exempelvis timerstyrd in/avspelnning och automatiskt påslag kan endast användas när både stereoljudkablarna och systemkablarna har anslutits mellan alla systemkomponenter. Se till att alla anslutningskablar ansluts ordentligt mellan de olika apparaterna.
- Det kan uppstå fel om du kopplar bort en systemkabel vid användning av systemet. Koppla först loss nätkablarna innan du ändrar någon av anslutningarna.

Rekommenderad systemplacering

- Placera 201SA-systemet som visas nedan för att garantera högsta prestanda och stabil placering.



- * Ställ inte någon annan komponent direkt ovanpå PMA-201SA. För att säkra god värmeavledning måste det finnas ett fritt utrymme på minst 10 cm ovanför PMA-201SA så att ventilationshålen inte riskerar blockeras.
- * För att inte riskera att apparaterna står osäkert får du inte ställa mer än tre komponenter ovanpå varandra.

Högtalaranslutning

Högtalarimpedans

Använd högtalare med en impedans på 4 till 16 Ω /ohm.

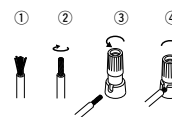
- Observera att bruk av högtalare med en annan impedans kommer att utlösa skyddskretsen mot öve belastning och det finns även risk att systemet skadas.

Skyddskrets

Denna utrustning är försedd med en snabb skyddskrets. Kretsen skyddar de inre komponenterna mot skada pga. höga strömmar när högtalaranslutningarna inte är rätt utförda eller vid kortslutning. Skyddskretsen bryter strömmen till högtalarna. Slå av strömmen om detta händer och kontrollera högtalaranslutningarna. Slå sedan på strömmen igen. Apparaten är tyst under några sekunder och fungerar sedan normalt.

Anslutning av högtalarkablarna.

- ① Skala av höljet längst ut i kabeln.
- ② Tvinn ihop trådarna.
- ③ Öppna högtalarkontakten genom att skruva den motsols.
- ④ Stick in kabeln i botten av kontakten och skruva igen kontakten medsols.



© Se till att kablarna mellan högtalarutgångar och högtalare ansluts till samma pol (+ till + och - till -) i båda ändar. I annat fall försvagas ljudet i mitten och instrumentplaceringen blir otydlig, vilket försämrar stereoeffekten.

© Var noga med att ansluta högtalarkablarna så att inga trådar sticker ut ur kontaktarna så att de kan komma åt andra kontakter, andra kablar eller bakstycket.

OBSERVERA:

- För ALDRIG högtalaranslutningarna när strömmen är på, eftersom det finns risk för elektrisk stöt.

6 DELARNAS NAMN OCH FUNKTIONER

(1) Framsida

1 Strömbrytare (ON/STANDBY OFF)

- När st ömbrytaren trycks in i läge "ON", slås strömmen på och strömindikatorn och displayen tänds. Ljudet är dämpat under några sekunder efter det att st ömmen slagits på.
- Strömmen stängs av när du trycker en gång till på strömbrytaren så att den återställs till läge "OFF" position.
- Strömindikatorns färg har följande betydelse:

Huvudapparaterns st ömbrytare	Status	LED
ON (ON)	I funktion	Lyser (g örn)
	Avstängt ljud	Blinkar (grön)
	Standby-läge	Lyser (rött)
OFF (OFF)		Från

*Ljudet dämpas under ett antal sekunder när strömmen slås på med st ömbrytaren ON (ON) på huvudenheten eller då standby-läget kopplas ur från fjärrkontrollen. Indikatorn blinkar när ljuddämpningen är inkopplad, och den slutar blinka och lyser istället med fast sken när apparaten åter kan användas.

*Om indikatorn blinkar snabbt orange:

Skyddskretsen har löst ut. Om detta inträffar skall du återställa strömbrytaren till läge "OFF" så att indikatorn släcks. Kontrollera därefter anslutningarna vid in- och utgångarna på baksidan.

Kontrollera särskilt om någon av högtalarkablarna har kortslutits. Slå på strömmen igen efter att alla anslutningar har kontrollerats och åtgärds. (Vänta i minst 10 sekunder innan du slår på strömmen igen efter att systemet stängts av.)

*Vid anslutning av PMA-201SA tillsammans med komponenter i 201SA-serien, fungerar dess strömbrytare som en systembrytare för alla komponenter. När st ömmen till PMA-201SA slås på, slås strömmen till de andra enheterna i systemet också på.

*PMA-201SA drar ström även när den står i beredskapsläget (fast med låg strömförbrukning).

2 PHONES (Uttag för hörlurar)

- Till detta uttag kan du ansluta ett par hörlurar.
- Det hörs inget ljud från högtalarna vid anslutning av hörlurarnas kontakt i uttaget.

3 REMOTE SENSOR (Fjärrkontrollsensor)

Den här sensorn tar emot det infraröda ljuset som sänds från den trådlösa fjärrkontrollen. Rikta den trådlösa fjärrkontrollen mot sensorn när fjärrkontrollen används.

4 Funktionsväljare (FUNCTION)

- Växlar den valda källan. Används även för att välja läget som valts med lägesväljaren. (Se sid 57 till 58.)

5 Lägesväljare (MODE)

- Använd denna väljare för inställning av bas, diskant och balans. (Se sid 57, 58.)
- Används för att koppla in/ur loudness. (Se sid 57.)
- Använd för att välja högtalare. (Se sid 58.)

6 Display

Se sid 55.

7 SOURCE DIRECT (Direktomkopplare)

Kontrollerna BASS, TREBLE, LOUDNESS och BALANCE kan användas när denna omkopplare står i läge OFF.

I läge ON förbikopplas ovan nämnda kontroller och signalen sänds direkt till kretsen för ljudstyrkekontroll för att på så sätt uppnå bättre ljudkvalitet.

8 VOLUME (Ljudstyrkekontroll)

- Denna kontroll reglerar volymen. Ljudstyrkan höjs när kont ollen vrids medurs och den sänks när kont ollen vrids moturs.

(2) Baksida

9 SIGNAL GND (jordkontakt)

- Anslut skivspelarens jordkontakt hit.

OBSERVERA:

- Denna anslutning används för att reducera brus vid anslutning av exempelvis en skivspelare. Anslutningen ger inte fullgod jordning.

10 Ingångar (INPUTS)

Detta är ingångar för anslutning av en CD-spelare, skivspelare, tuner, DVD-spelare och andra komponenter som används för avspelning.

AUX-2:

Använd dessa anslutningar för anslutning av en videobandspelare eller en annan komponent.

11 Inspelningsanslutningar för kassettdäck och MD (TAPE REC och MD REC)

- Inspelningsanslutningar (REC)
- Detta är utgångar som används för inspelning.
- TAPE: Anslut ett kassettdäck till dessa anslutningar.
- MD: Anslut en MD-inspelare till dessa anslutningar.

12 Power supply cord (Nätkabel)

- Anslut kabeln till ett el-uttag i väggen.

13 Speaker systems-kontakter (högtalarutgångar)

- Anslut dina högtalare hit.

14 Systemanslutningar (SYSTEM CONNECTOR 1 och 2)

- Vid anslutning av komponenter i 201SA-serien i samma system, skall du ansluta dessa anslutningar till systemanslutningarna på de andra systemkomponenterna. Använd systemkablarna som medföljer de andra komponenterna.

15 Avspelningsanslutningar för kassettdäck och MD (TAPE PB och MD PLAY)

- Avspelningsanslutningar (PB)

(3) Display [6]

16 Huvuddisplaydel

- Här visas valda funktioner, källan m.m.
- Vid normal användning visas namnet på den valda källan.
- Om du trycker på lägesväljaren, visas respektive funktioner på displayen.

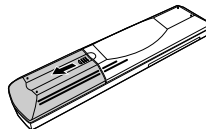
7 SYSTEMFJÄRRKONTROLL

Du kan använda den medlevererade fjärrkontrollen RC-906 för att styra huvudfunktionerna på de komponenter i 201SA-serien som anslutits till varandra via systemanslutningarna. Andra komponenter kan inte styras med denna fjärrkontroll.

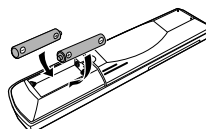
Observera att vissa funktioner inte kan styras av systemfjärrkontrollen. Använd i detta fall fjärrkontrollen som följde med komponenten du vill styra.

(1) Iläggning av batterier

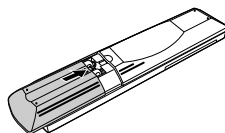
- Ta bort locket på fjärrkontrollens baksida.



- Lägg in två R03 (AAA) batterier i batterifacket. Vänd dem så som bilden visar.



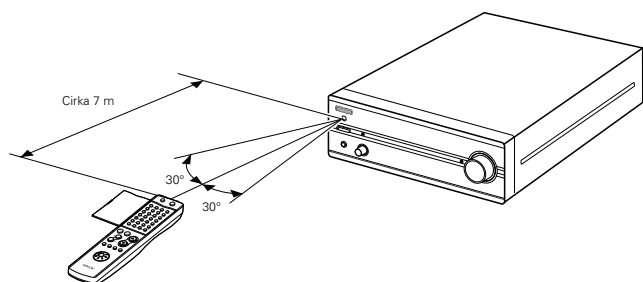
- Sätt tillbaka locket.



Om batterierna

- De batterier som används måste vara av typen R03 AAA.
- Byt batterierna mot nya cirka en gång per år. Hur ofta batterierna behöver bytas beror dock på hur mycket fjärrkontrollen används.
- Byt batterierna mot nya om fjärrkontrollen inte kan användas för att styra apparaten, även om det har gått kortare tid än ett år. (Batteriet som medföljer används endast för kontrollfunktioner. Byt ut det mot ett nytt batteri så fort som möjligt.)
- Var noga med att vända batterierna rätt. (Se "⊕" och "⊖" märkena inuti batterifacket.)
- Undvik skador till följd av läckande batteriavtiska:
 - Blanda inte nya och gamla batterier.
 - Blanda inte batterier av olika slag.
 - Batterierna får inte kortslutas, tas isär, hettas upp eller kastas i öppen eld.
- Ta ur batterierna om du inte räknar med att använda fjärrkontrollen under en längre tid.
- Rengör batterifacket noga och lägg i nya batterier om batterierna börjar läcka.

(2) Använda fjärrkontrollen



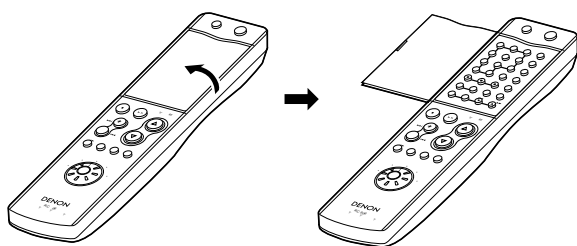
OBSERVERA:

- Fjärrkontrollen kan vara svår att använda om fjärrkontrollsensorn utsätts för direkt solljus eller starkt konstljus.
- Tryck inte på tangenterna på fjärrkontrollen och apparaten samtidigt. Detta kan leda till funktionsstörningar.
- Neonskyltar och annan apparatur som sänder ut pulsljus i näheten kan orsaka funktionsstörningar. Ställ därför inte anläggningen i näheten av sådan utrustning.

- Rikta fjärrkontrollen mot fjärrkontrollsensorn på apparaten. Se bilden.
- Fjärrkontrollen kan användas på ett avstånd av upp till cirka 7 m rakt framför apparaten. Räckvidden förkortas dock om det finns några föremål i vägen eller om fjärrkontrollen inte hålls rakt framför apparaten.
- Fjärrkontrollen kan användas i en vinkel av upp till cirka 30 grader i förhållande till fjärrkontrollsensorn.

(3) Namn och funktioner på fjärrkontrollens tangenter

■ Öppning av fjärrkontrollens lucka



■ Tangenter som inte förklaras här fungerar på samma sätt som motsvarande tangenter på huvudenheten.

Strömbrytare (SYSTEM POWER STANDBY)

Tryck på strömbrytaren för att ställa PMA-201SA i beredskapsläget. (Vid anslutning till komponenter i 201SA-serien, fungerar denna strömbrytare som en systemströmbrytare för alla komponenter och ställer då alla anslutna komponenter i beredskapsläget.)

Tangent för strömpåslag (SYSTEM POWER ON)

Stömmen till PMA-201SA slås på när du trycker på denna tangent då PMA-201SA står i beredskapsläget. (Vid anslutning till komponenter i 201SA-serien, slår denna tangent på strömmen till alla komponenter i systemet.)

Manövreringsdel för 201SA-seriens funktioner

Vid anslutning till komponenter i 201SA-serien, används dessa tangenter för att styra de olika funktionerna på de komponenter som anslutits till varandra. Se bruksanvisningen för respektive komponent för närmare anvisningar angående rätt användning.

DIMMER-tangent

Använd den här funktionen för att justera ljusstyrkan på huvudapparatsens display. Ljusstyrkan kan ställas in i fyra steg (starkt, medium, svagt och från) med apparatens DIMMER-omkopplare.

Funktionsväljare (FUNCTION)

Tryck på denna väljare för att välja den källa du vill lyssna till. Den valda källan växlar i följande ordning varje gång du trycker på tangenten:

CD → TUNER → DVD/AUX
MD → TAPE → AUX 2 → PINOD

Ljudstyrke-/väljartangenter (VOLUME/SELECT)

- Tryck på Δ för att öka ljudstyrkan och på ∇ för att minska den.
- Dessa tangenter används också för inställning av de olika funktionerna.

Fjärrkontrollens funktionsväljare

Använd denna väljare för att välja den funktion du vill styra med denna fjärrkontroll. Se bruksanvisningen för respektive komponent för närmare anvisningar angående rätt användning.

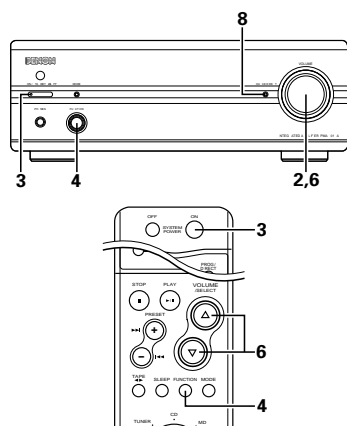
Modeller som kan styras av systemfjärrkontrollen

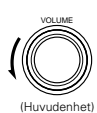
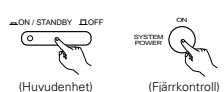
- För/huvudförstärkare : PMA-201SA
- Tuner : TU-201SA
- CD-spelare : DCD-201SA
- Kassettdäck : DRR-201SA
- MD-inspelare : DMD-201SA

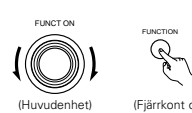
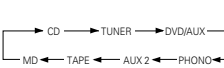
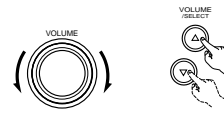

56

8 MANÖVRERING

(1) Avspelning

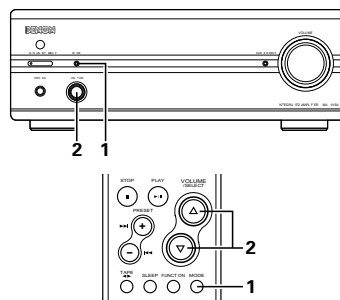



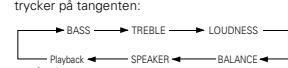
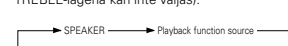
1	Kontrollera att alla kablar anslutits rätt.
2	Vrid ljudstyrkekontrollen u motsols (Ω) till minimiläget.  (Huvudenhet)
3	Sätt på strömmen. <ul style="list-style-type: none"> Indikatorn blinkar först rött och lyser sedan konstant grönt.  (Huvudenhet) (Fjärrkontroll) Strömmen på/beredskapsläge och funktionsminne <ul style="list-style-type: none"> Den funktion som senast var inställd innan strömmen stängdes av väljs igen när fjärrkontrollen används för att slå på strömmen till PMA-201SA från beredskapsläget. (Senaste minnesfunktion) Om funktionen har raderats från minnet, väljs "CD" som källa när strömmen till PMA-201SA slås på.

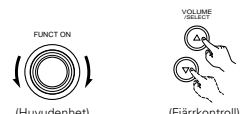
4	Vrid på FUNCTION-ratten på huvudenheten eller tryck på fjärrkontrollens FUNCTION-tangent för att välja den källa du vill lyssna till. <ul style="list-style-type: none"> Källan växlar i följande ordning. *Källan växlar i motsatta ordningen om du vrider ratten motsols Ω.  (Huvudenhet) (Fjärrkontroll) 
5	Börja spela på den apparat du valt. <ul style="list-style-type: none"> Se apparatens bruksanvisning för mer information.
6	Ställ in ljudstyrkan.  (Huvudenhet) (Fjärrkontroll)
7	Justera BALANCE-, BASS- och TREBLE-kontrollerna och ställ in LOUDNESS som önskas. *Se "(2) Inställning av de olika funktionerna" på sid 57, 58 för närmare anvisningar.
8	Användning av Source Direct-funktionen: Tryck in SOURCE DIRECT-tangenten i läge "ON".  (Huvudenhet)

(2) Inställning av de olika funktionerna

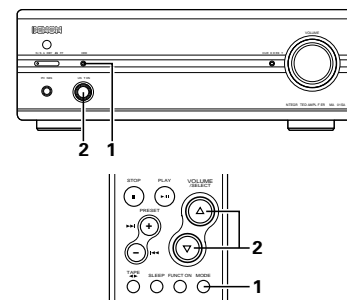
[1] Justering av bas och diskant

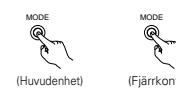
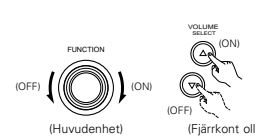


1	Tryck på MODE-tangenten så att "BASS" eller "TREBLE" visas på displayen.  (Huvudenhet) (Fjärrkontroll) <ul style="list-style-type: none"> Läget växlar enligt följande varje gång du trycker på tangenten:  <ul style="list-style-type: none"> *När Source Direct-funktionen är inkopplad, växlar läget enligt följande (BASS- och TREBLE-lägena kan inte väljas). 
----------	---

2	Vrid på FUNCTION-ratten på huvudenheten eller använd fjärrkontrollens SELECT-tangenter.  (Huvudenhet) (Fjärrkontroll) <ul style="list-style-type: none"> För att öka bas eller diskant: Vrid ratten medsols (Ω) eller tryck på tangenten Δ. För att dämpa bas eller diskant: Vrid ratten motsols (Ω) eller tryck på tangenten ∇. Bas och diskant kan justeras inom ett omfång på -12 till 0 och till +12 i steg om 2. Rak frekvensgång fås vid 0.
----------	--

[2] Inställning av loudness

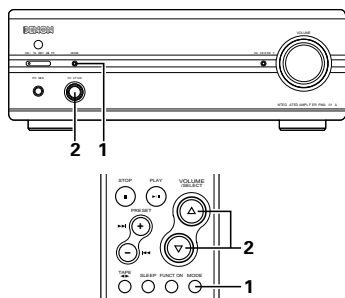


1	Tryck på MODE-tangenten tills "LOUDNESS" visas på displayen.  (Huvudenhet) (Fjärrkontroll) <ul style="list-style-type: none"> Läget växlar enligt bilden till vänster varje gång du trycker på tangenten. *"LOUDNESS" kan inte väljas när Source Direct-funktionen är inkopplad.
2	Vrid på FUNCTION-ratten på huvudenheten eller använd fjärrkontrollens SELECT-tangenter.  (Huvudenhet) (Fjärrkontroll) <ul style="list-style-type: none"> För att koppla in "ON": Vrid ratten medsols (Ω) eller tryck på tangenten Δ. För att koppla ur "OFF": Vrid ratten motsols (Ω) eller tryck på tangenten ∇.

OBSERVERA:

Maximal total ljudstyrkeökning för bas, diskant och loudness är tillsammans +12. Om du till exempel ställer både bas och diskant på +12, ändras inte ljudet om du kopplar in loudnessfunktionen.

[3] Val av högtalare



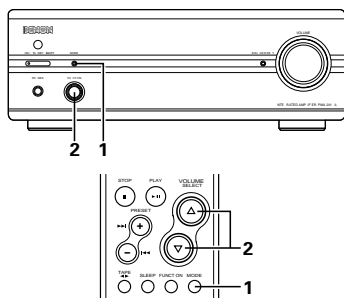
1	<p>Tryck på MODE-tangenten tills "SPEAKER" visas på displayen.</p> <ul style="list-style-type: none"> Läget växlar enligt bilden till vänster varje gång du trycker på tangenten.
2	<p>Vrid på FUNCTION-ratten på huvudenheten eller använd fjärrkontrollens SELECT-tangenter.</p>

(Huvudenhet)

(Fjärrkontroll)

• För att koppla in "ON":
Vrid ratten medsols (Q) eller tryck på tangenten Δ.
För att koppla ur "OFF":
Vrid ratten motsols (O) eller tryck på tangenten ∇.

[4] Justering av balansen



1	<p>Tryck på MODE-tangenten tills "BALANCE" visas på displayen.</p>
2	<p>Vrid på FUNCTION-ratten på huvudenheten eller använd fjärrkontrollens SELECT-tangenter.</p>

(Huvudenhet)

(Fjärrkontroll)

• Läget växlar enligt bilden till vänster varje gång du trycker på tangenten.
* "BALANCE" kan inte väljas när Sou ce Direct-funktionen är inkopplad.

• Om höger högtalares ljudstyrka är låg:
Vrid ratten medsols (Q) eller tryck på tangenten Δ.
Om vänster högtalares ljudstyrka är låg:
Vrid ratten motsols (O) eller tryck på tangenten ∇.

• Balansen kan ställas i mitten ("CENTER") eller justeras inom ett område från +1 till +10 i steg om 1. I läget "CENTER", är ljudstyrkenivåerna höger och vänster högtalare de samma.

9 SYSTEMFUNKTIONER

- Användningen förenklas när komponenterna i 201SA-serien ansluts till PMA-201SA via systemanslutningarna. (Se "ANSLUTNINGAR" på sid 53, 54 för närmare anvisningar.)
- Alla systemfunktionssignaler för att styra komponenter i 201SA-serien sänds från PMA-201SA. Se därför till att PMA-201SA ansluts rätt när systemanslutningarna görs.
- Systemfunktionerna fungerar endast när systemanslutningarna har gjorts mellan komponenterna i 201SA-serien. De kan inte användas med andra komponenter.
- Systemfunktionerna som förklaras nedan kan användas efter att systemanslutningarna har gjorts.
 - (1) Du kan använda den medlevererade fjärrkontrollen RC-906 med PMA-201SA för att styra huvudfunktionerna på de andra komponenterna.
 - (2) Fjärrkontrollsignalerna för de andra komponenterna tas emot hos fjärrkontrollsensorn på PMA-201SA.
 - (3) **Automatiskt påslag:**
Om systemet står i beredskapsläget, slås strömmen på automatiskt om du trycker på PLAY/PAUSE-tangent (▶ ||) på CD-spelaren DCD-201SA, kassettdäcket DRR-201SA eller MD-inspelaren DMD-201SA, och avspelingen börjar automatiskt. Om du trycker på en snabbvalstangenterna (PRESET UP eller DOWN) på tunern TU-201SA, slås strömmen till tunern på och radiostationen ställs in.
 - (4) **Automatiskt funktionsval:**
Källan växlar automatiskt om du trycker på PLAY/PAUSE-tangent (▶ ||) på CD-spelaren DCD-201SA, kassettdäcket DRR-201SA eller MD-inspelaren DMD-201SA, och avspelingen från den valda källan börjar.
 - (5) **Synkroniserad inspelning från CD:**
Du kan spela in CD-skivor på kassettdäcket DRR-201SA eller MD-inspelaren DMD-201SA genom att helt enkelt trycka på CD SRS-tangenten på kassettdäcket.
 - (6) **Samtidig inspelning:**
Inspelingen börjar automatiskt om du trycker på PLAY/PAUSE-tangent (▶ ||) på CD-spelaren DCD-201SA när läget för inspelningspaus är inkopplat på kassettdäcket DRR-201SA eller MD-inspelaren DMD-201SA.
 - (7) **Timerfunktioner:**
Timerfunktionerna på tunern TU-201SA kan användas för att ta emot och spela in radioprogram vid bestämda tider. Timern kan även användas vid insomning.
- Se apparatens bruksanvisning för närmare anvisningar angående de olika funktionerna.

10 FELSÖKNING

Kontrollera följande innan du drar slutsatsen att det är fel på apparaten.

1. Har alla anslutningar gjorts rätt ?
2. Används apparaten enligt bruksanvisningens anvisningar ?
3. Används högtalare och andra musikkällor korrekt ?

Om det verkar vara fel på apparaten bör du kontrollera följande kontrollpunkter nedan. Det kan ha uppstått fel i apparaten om inga av dessa punkter motsvarar ditt problem. Slå i så fall från strömmen med det samma och kontakta affären där du köpte apparaten.

Symptom	Orsak	Åtgärder	Sida
POWER LED-indikatorn är släckt och det hörs inget ljud när strömmen sätts på.	<ul style="list-style-type: none"> Nå kabel är inte ansluten. 	<ul style="list-style-type: none"> Kontrollera att kabeln har anslutits ordentligt. 	53, 55
POWER LED-indikatorn lyser, men det hörs inget ljud.	<ul style="list-style-type: none"> Högtalarkablarna har inte anslutits rätt. INPUT SELECTOR s är i fel läge. VOLUME-kontrollen är helt nedvriden. 	<ul style="list-style-type: none"> Anslut ordentligt. Sätt i rätt läge. Sätt på rätt nivå. 	53, 54 57 57
Det hörs endast ljud från en kanal.	<ul style="list-style-type: none"> Högtalarkablarna har inte anslutits rätt. Inkablarna har inte anslutits rätt. Höger/vänster kanalbalans är feljusterad. 	<ul style="list-style-type: none"> Anslut ordentligt. Anslut ordentligt. Justera BALANCE-kontrollen. 	54 53 58
Ljudstyrkenivån är olika när man lyssnar till radioprogram och skivor.	<ul style="list-style-type: none"> Radions och skivspelarens ut signaler är olika. 	<ul style="list-style-type: none"> Justera radioutsignalen till samma nivå som skivspelaren, förutsatt att radion är utrustad med en utnivåkontroll. 	—
Musikinstrumentens placeringar är reverserade vid lyssning i stereo.	<ul style="list-style-type: none"> Höger och vänster högtalanslutningar har omkastats. 	<ul style="list-style-type: none"> Kontrollera de högra/vänstra anslutningarna. 	53, 54
Brum vid avspeling av skivor.	<ul style="list-style-type: none"> Skivspelarens jordningskabel har inte anslutits ordentligt. Inkablarna har inte anslutits rätt till PHONO-ingångarna. Störningar förorsakade av en TV eller annan elektrisk apparat nära spelaren. 	<ul style="list-style-type: none"> Anslut ordentligt. Anslut ordentligt. Väij en annan installationsplats. 	53 53 —
Rundgång uppstår när ljudstyrkan höjs under skivspeling.	<ul style="list-style-type: none"> Skivspelaren och högtalarna står för nära varandra. Golvet är mjukt och vibrerar lätt. 	<ul style="list-style-type: none"> Flytta högtalarna så långt undan som möjligt. Använd högtalarunderlägg för att absorbera de ljudvågor som överförs via golvet till högtalarna. Om skivspelaren inte har några vira tonsdämpande fötter, bör du anskaffa särskilda vibrationsdämpare, som köps separat i radiohandeln. 	— —
Ljudet är förvrängt.	<ul style="list-style-type: none"> Nåltrycket är för lätt. Smuts på nålspetsen. Fel på pick-upen. 	<ul style="list-style-type: none"> Ställ in rätt nåltryck. Kontrollera nålspetsen. Byt ut pick-upen. 	— — —
Apparaten fungerar inte rätt när fjärrkontrollen används.	<ul style="list-style-type: none"> Batterierna är slut. Fjärrkontrollen hålls för långt borta från apparaten. Det finns hinder mellan apparaten och fjärrkontrollen. Fel tangenter trycks in. Batteriets + och - poler vänder fel. 	<ul style="list-style-type: none"> Byt ut mot nya batterier. Håll fjärrkontrollen närmare mottagaren. Ta bort hindret. Tryck på rätt tangent. Sätt i batterierna rätt. 	55 56 56 56 55

11 SPECIFIKATIONER

EFFEKTÖRSTÄR-KARDEL

- Nominell uteffekt:
Högtalarutgångar:
FÖRFÖRSTÄR-KARDEL
Nominell utspänning:
Ingångsimpedans:

50 W + 50 W (4 Ω/ohm, DIN, 1 kHz, T.H.D. 0,7%)
4 till 16 Ω/ohmigga

150 mV (Bandutgång)
PHONO: 2 5 mV/47 kΩ/kohm
CD, TUNER, DVD/AUX,
TAPE, MD, AUX-2: 100 mV/16 kΩ/kohm
PHONO: 20 Hz – 20 kHz ±0 5 dB

RIAA avvikelser:

GEMENSAMMA KARAKTRISTIKA

Störavstånd (IHF A-nät):

PHONO: 80 dB (vid 5 mV insignal) (ingångar kortslutna)
CD, TUNER, DVD/AUX,
TAPE, MD, AUX-2: 102 dB (SOURCE DIRECT: ON)
5 Hz – 100 kHz : +0, -3 dB (SOURCE DIRECT: ON)
BAS: 100 Hz ±8 dB
DISKANT: 10 kHz ±8 dB
LOUDNESS: 100 Hz +6 dB
10 kHz +4 dB

Frekvensgång: Tonkontrollernas regleringsområde:

ÖVRIGT

Strömart: Effektförbrukning:

AC 230 V, 50 Hz
110 W
(Ca. 1 W i beredskapsläget)
250 (B) X 90 (H) X 371 (D) mm
6,0 kg

Mått: Vikt:

FJÄRRKONTROLL (RC-906)

Fjärrkontrollsystem: Strömförsörjning:

Infraröd pulskodmodulering
3 V likström, två
torrce batterier av typ R03 ("AAA")
48 (B) X 210 (H) X 29 (D) mm
120 g
(inkl. batterier)

- * I största yttermått är kontroller, kontakter och skydd inräknade.
(B) = bredd, (H) = höjd, (D) = djup

- I p oduktfö bättringssyfte kan specifikationer och funktioner ändras utan föregående meddelande.

NIPPON COLUMBIA CO., LTD.

14-14, AKASAKA 4-CHOME, MINATO-KU, TOKYO 107-8011, JAPAN
Telephone: (03) 3584-8111